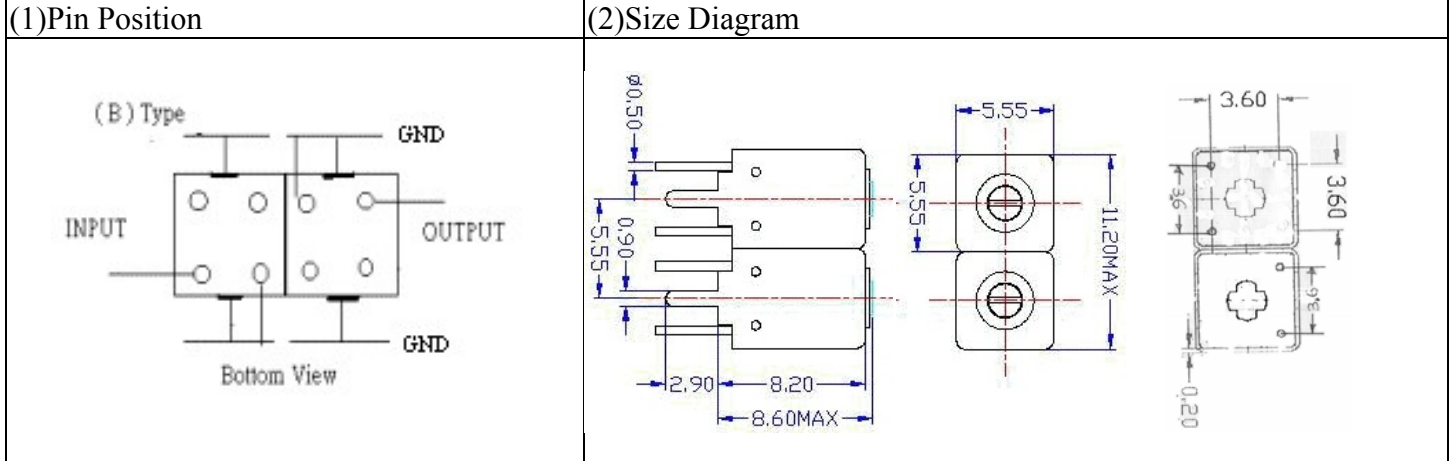


VHF UHF Helical Filter Specification Sheet

Customer Name		Temwell's Part No.	TDW2736B-2175M
Approval No. /dated	0602097APR	Acceptable Specify Fo Range	2151-2200MHz
Work Instruction No.	0602097DC	Date	May.12.2006



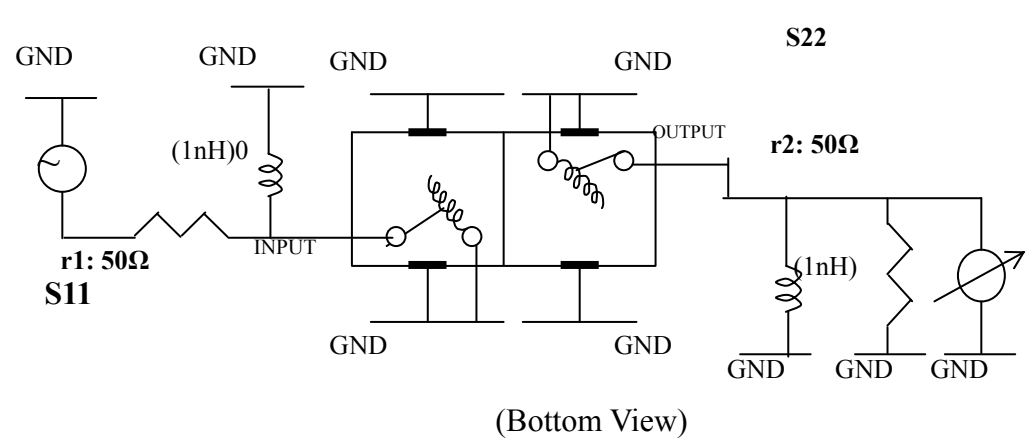
(3) Electric Characteristic			
Item	Specify	Performance	
Center Freq.(Fo) +/- 0.5 %	2175 MHz	2175	MHz
Tunable Range:	2175±5 MHz	2175±5	MHz
Insertion Loss	Typ. 3.5 dB	2.57	dB
-3 dB Bandwidth	Typ. 49 MHz	60.5	MHz
Sensitivity (Attenuation)	Fo - 100 MHz	Typ. 16	dBc
	Fo + 100 MHz	Typ. 14	dBc
	Fo - ()MHz	Typ.	dBc
	Fo +()MHz	Typ.	dBc
Return Loss	Min. 12 dB	18.6	dB
Ripple	< 1 dB		dB
Impedance	In / Out : 50 Ω	In / Out : 50 Ω	

(4) Torque for Tuning Screw > 60gf • cm

(5) Temperature Condition:	
Operating Temperature	0°C ~ +60°C
Storage Temperature	-20°C ~ +70°C

(6) Input Power > 0.5Watt

(7) Measuring Circuit: ※Easy to match Impedance 50Ω by parallel with about (1) nH.

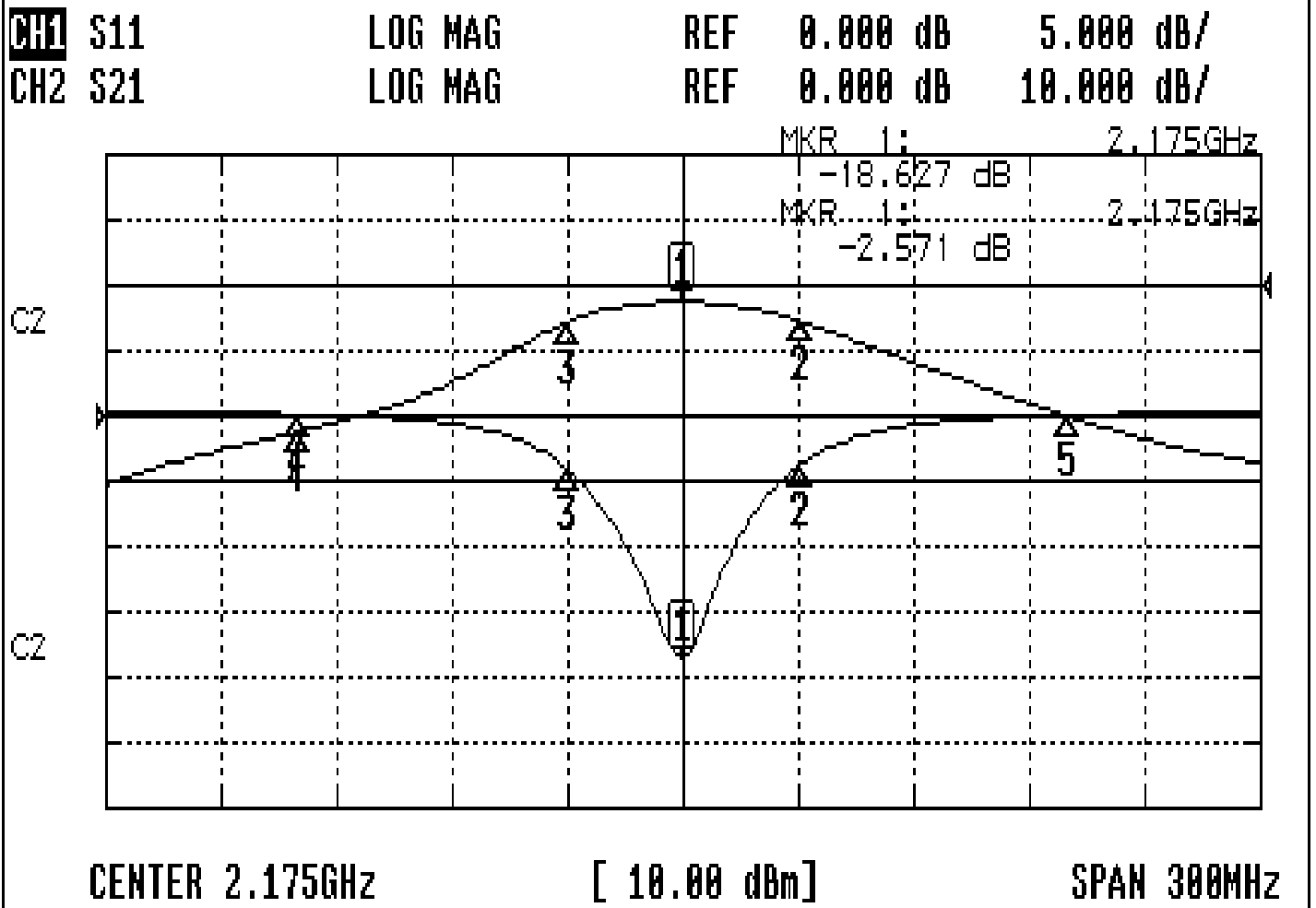


Approval	Supervisor	Designer	Aperture size
C.Y. Chang	C.S. Chang	C.S. Chang	5W2, 3.8*4.0(4.10) 5HW024RB3

TEMWELL CORPORATION

Performance-TDW2736B-2175M

0602097DC



CH1 MARKER LIST

1	2.175	000GHz	-18.627	dB
2	2.205	750GHz	-3.680	dB
3	2.145	250GHz	-4.112	dB
4	2.075	000GHz	0.118	dB
5	2.275	000GHz	0.059	dB

CH2 MARKER LIST

1	2.175	000GHz	-2.571	dB
2	2.205	750GHz	-5.581	dB
3	2.145	250GHz	-5.554	dB
4	2.075	000GHz	-22.362	dB
5	2.275	000GHz	-20.021	dB