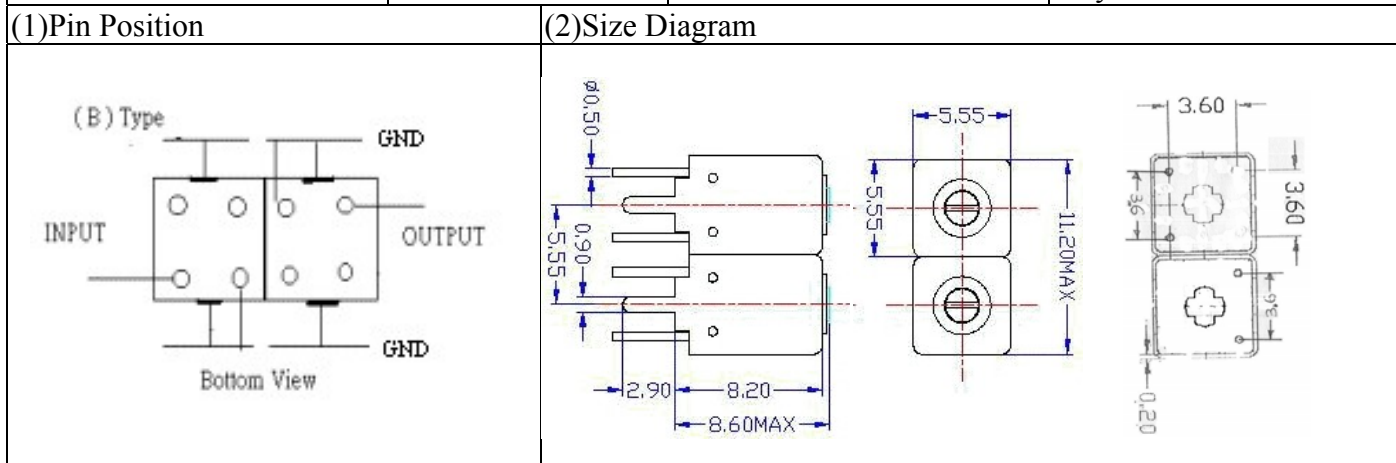


VHF UHF Helical Filter Specification Sheet

Customer Name		Temwell's Part No.	TDW2735B-2125M
Approval No. /dated	0602096APR	Acceptable Specify Fo Range	2101-2150MHz
Work Instruction No.	0602096DC	Date	May.12.2006



(3) Electric Character

Item	Specify	Performance	
Center Freq.(Fo) +/- 0.5 %	2125 MHz	2125 MHz	
Tunable Range:	2125±5 MHz	2125±5 MHz	
Insertion Loss	Typ. 3.5 dB	2.61 dB	
-3 dB Bandwidth	Typ. 43 MHz	54.2 MHz	
Sensitivity (Attenuation)	Fo - 100 MHz	Typ. 17 dBc	20 dBc
	Fo + 100 MHz	Typ. 13 dBc	16 dBc
	Fo - ()MHz	Typ. dBc	dBc
	Fo +()MHz	Ty dBc	dBc
Return Loss	Min. 12 dB	17.3 dB	
Ripple	< 1 dB	dB	
Impedance	In / Out : 50 Ω	In / Out : 50 Ω	

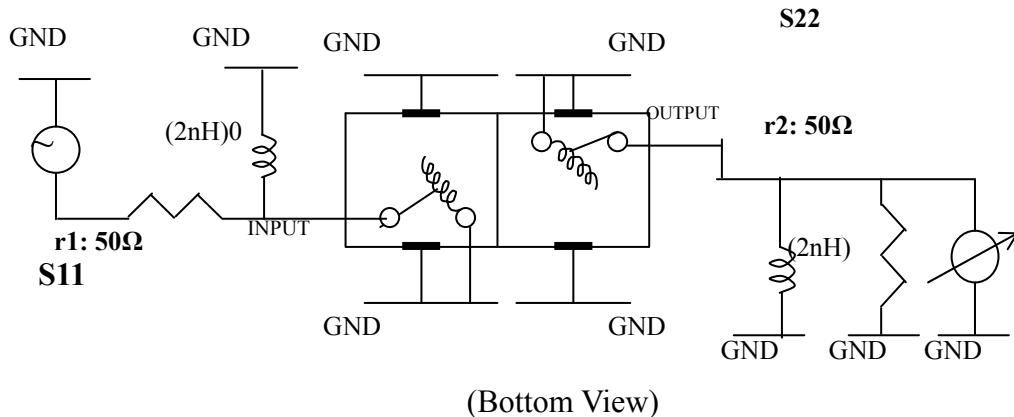
(4) Torque for Tuning Screw > 60gf · cm

(5) Temperature Condition:

Operating Temperature	0°C ~ +60°C
Storage Temperature	-20°C ~ +70°C

(6) Input Power > 0.5Watt

(7) Measuring Circuit: ※Easy to match Impedance 50Ω by parallel with about (2) nH.

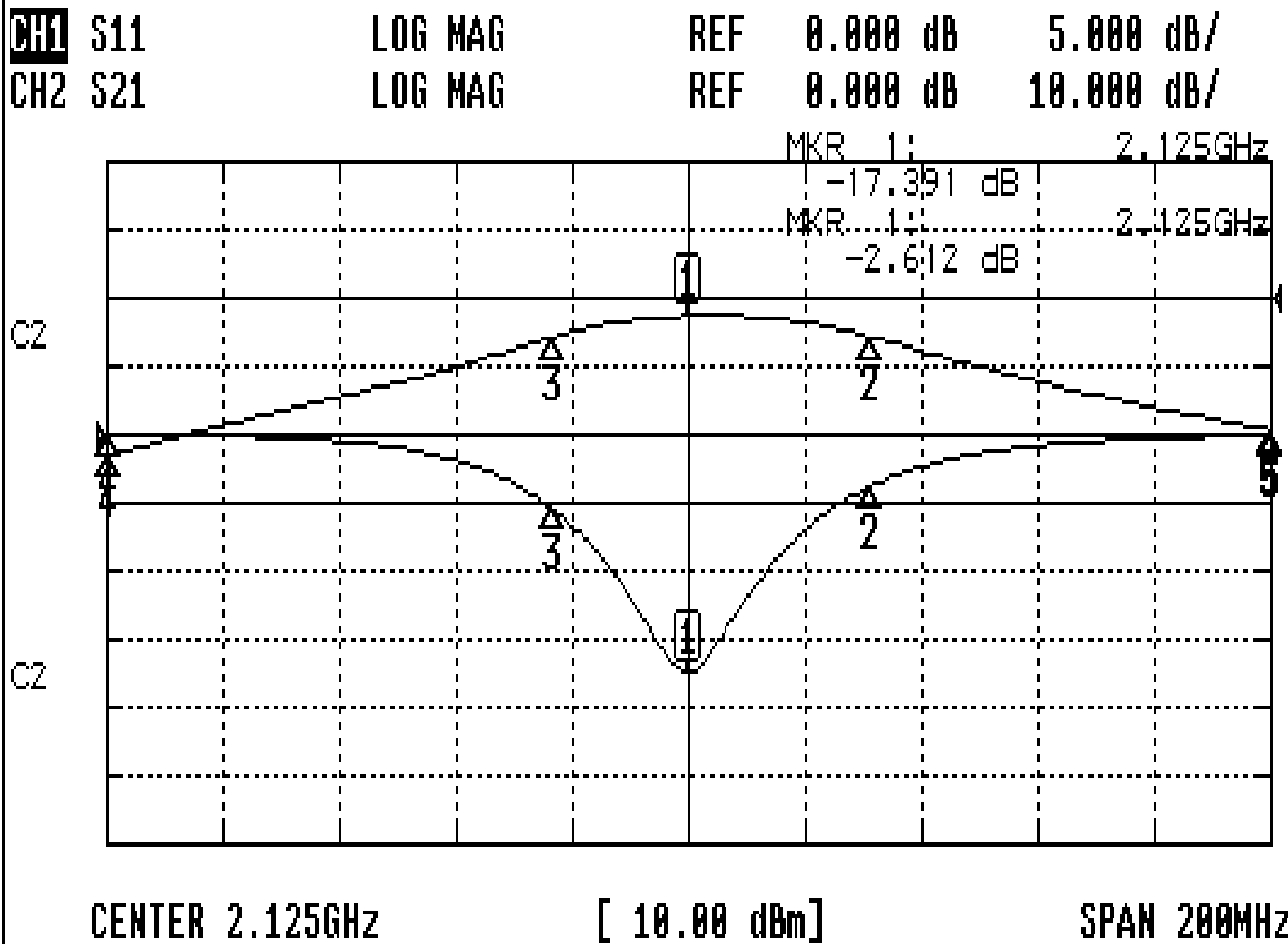


Approval	Supervisor	Designer	Aperture size
C.Y.Chang	C.S.Chang	C.S.Chang	5W2, 3.8*4.0(4.12) 5HW024RB3

TEMWELL CORPORATION

Performance-TDW2735B-2125M

0602096DC



CH1 MARKER LIST

1	2.125	000GHz	-17.391	dB
2	2.156	000GHz	-13.838	dB
3	2.101	833GHz	-15.445	dB
4	2.025	000GHz	-0.090	dB
5	2.225	000GHz	-0.028	dB

CH2 MARKER LIST

1	2.125	000GHz	-2.612	dB
2	2.156	000GHz	-1.590	dB
3	2.101	833GHz	-1.660	dB
4	2.025	000GHz	-23.090	dB
5	2.225	000GHz	-19.200	dB