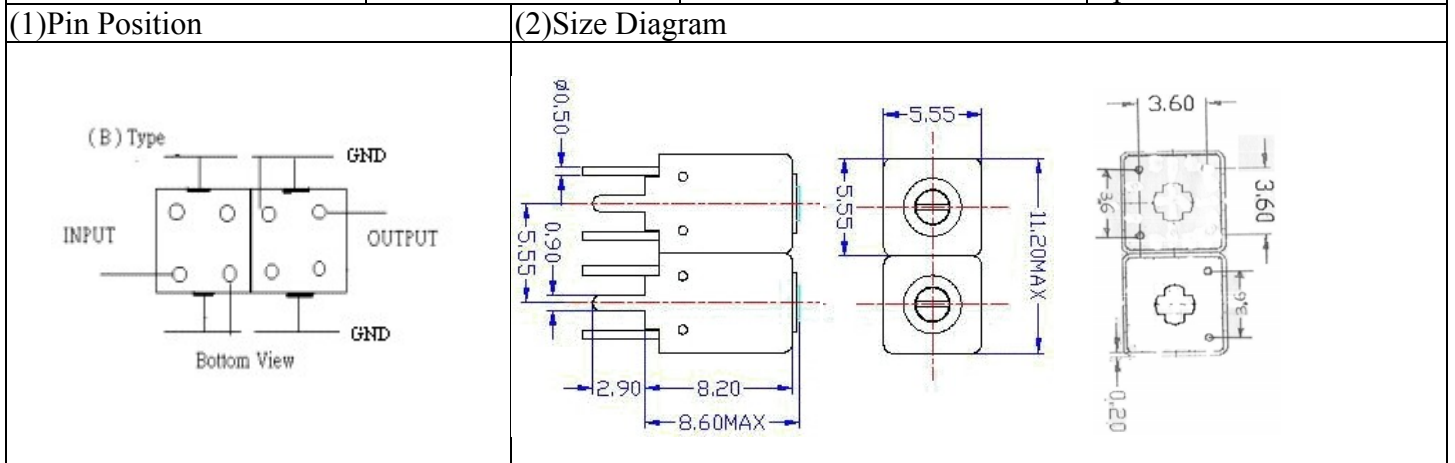


VHF UHF Helical Filter Specification Sheet

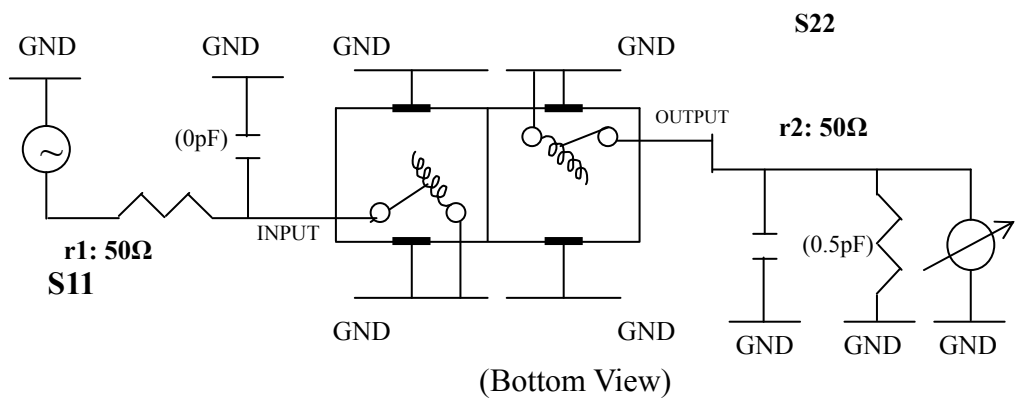
Customer Name		Temwell's Part No.	TDW2727B-1225M
Approval No. /dated	0602088APR	Acceptable Specify Fo Range	1201M~1250M
Work Instruction No.	0602088DC	Date	Apr.27.2006



(3) Electric Character		Item	Specify	Performance
Center Freq.(Fo) +/- 0.5 %			1225 MHz	1225 MHz
Tunable Range:			1225±5 MHz	1225±5 MHz
Insertion Loss		Typ.	4.0 dB	2.94 dB
-3 dB Bandwidth		Typ.	26 MHz	42.9 MHz
Sensitivity (Attenuation)	Fo - 100 MHz	Typ.	24 dBc	27 dBc
	Fo + 100 MHz	Typ.	19 dBc	22 dBc
	Fo - ()MHz	Typ.	dBc	dBc
	Fo +()MHz	Typ.	dBc	dBc
Return Loss		Min.	12 dB	47.3 dB
Ripple			< 1 dB	dB
Impedance			In / Out : 50 Ω	In / Out : 50 Ω
(4) Torque for Tuning Screw			> 60gf · cm	

(5) Temperature Condition:	
Operating Temperature	0°C ~ +60°C
Storage Temperature	-20°C ~ +70°C
(6) Input Power	> 0.5Watt

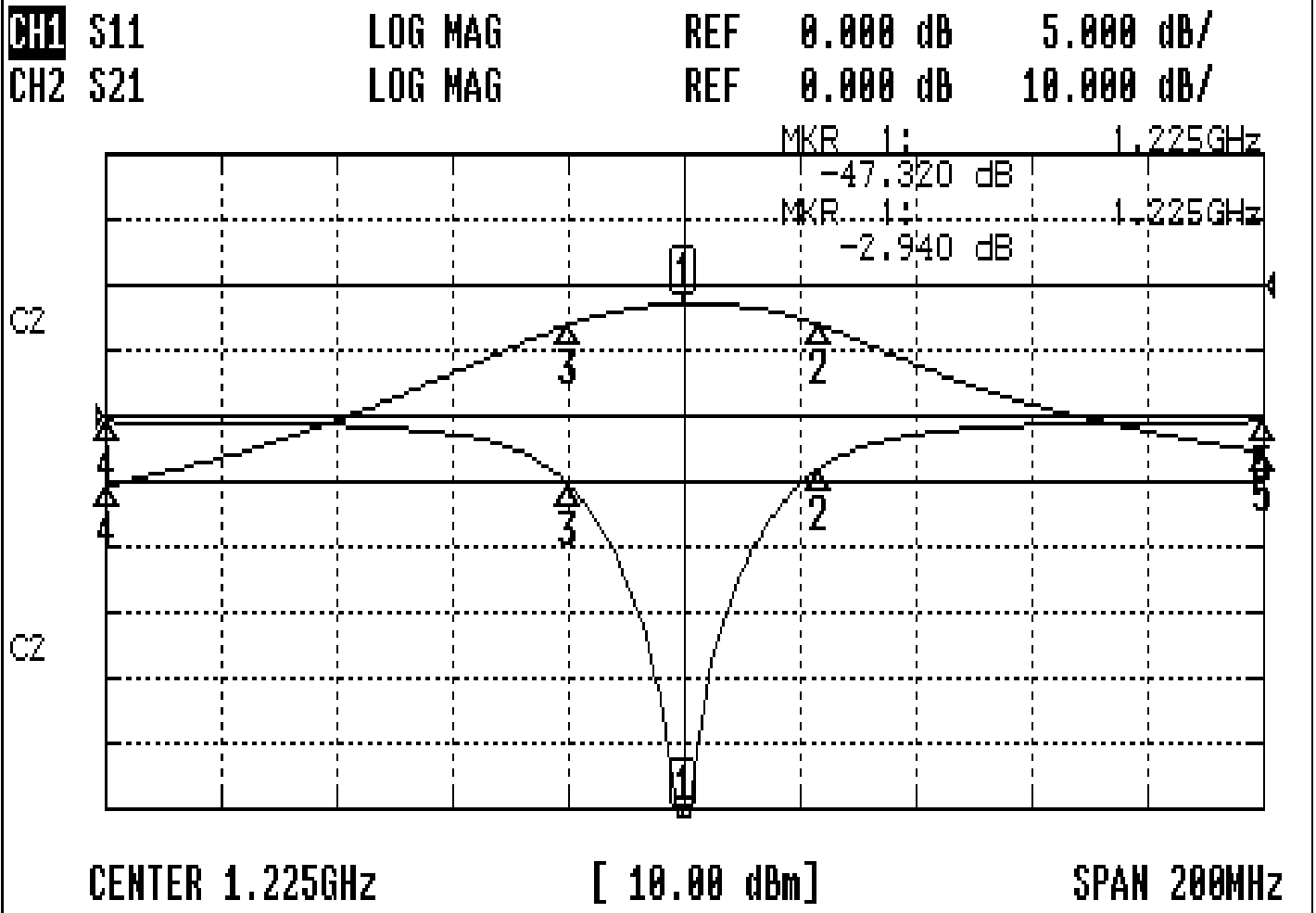
(7) Measuring Circuit: ※Easy to match Impedance 50Ω/ by parallel with about (0.5) pF.



Approval	Supervisor	Designer	Aperture size
C.Y. Chang	C.S. Chang	P.H. Chiang	5w2(3.8*3.7)(3.75) 5HW024RB3
TEMWELL		CORPORATION	

Performance-TDW2727B-1225M

0602088DC



CH1 MARKER LIST

1	1.225	000GHz	-47.320	dB
2	1.248	000GHz	-4.081	dB
3	1.205	166GHz	-5.296	dB
4	1.125	000GHz	-0.431	dB
5	1.325	000GHz	-0.428	dB

CH2 MARKER LIST

1	1.225	000GHz	-2.940	dB
2	1.248	000GHz	1.927	dB
3	1.205	166GHz	1.963	dB
4	1.125	000GHz	130.705	dB
5	1.325	000GHz	25.575	dB