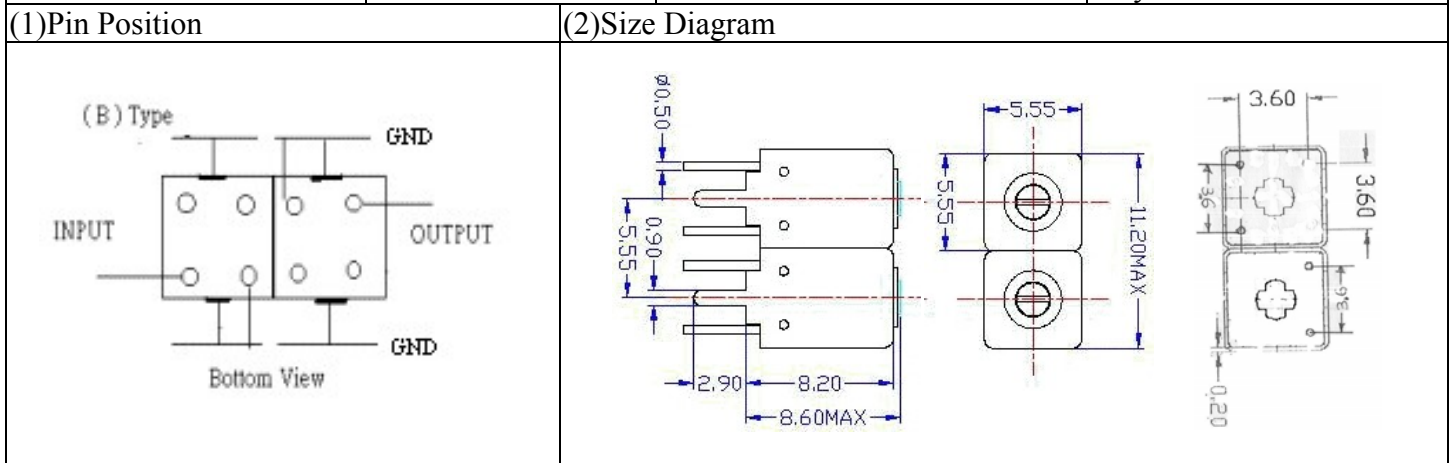


VHF UHF Helical Filter Specification Sheet

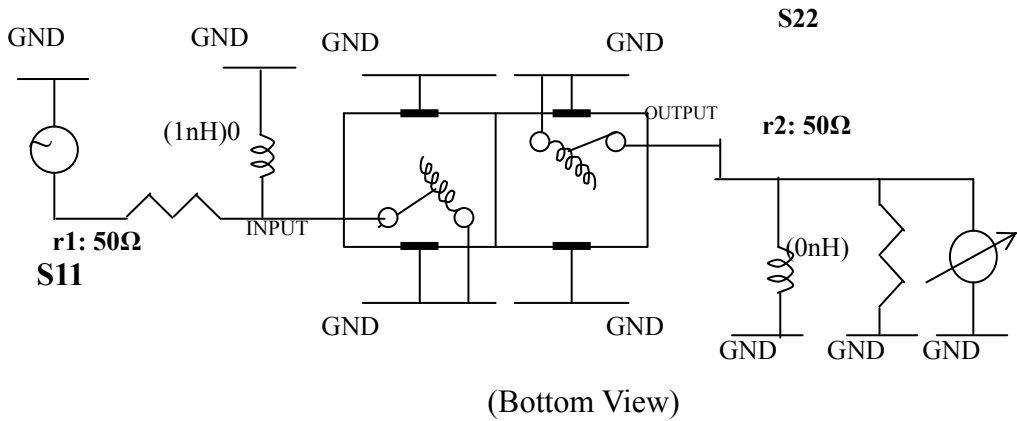
Customer Name		Temwell's Part No.	TDW2720B-2175M
Approval No. /dated	0602085APR	Acceptable Specify Fo Range	2151-2200MHz
Work Instruction No.	0602085DC	Date	May.11.2006



(3) Electric Character					
Item		Specify		Performance	
Center Freq.(Fo) +/- 0.5 %		2175 MHz		2175 MHz	
Tunable Range:		2175±5 MHz		2175±5 MHz	
Insertion Loss		Typ. 4.5 dB		3.76 dB	
-3 dB Bandwidth		Typ. 36 MHz		47.2 MHz	
Sensitivity (Attenuation)	Fo - 100 MHz	Typ. 19 dBc		22 dBc	
	Fo + 100 MHz	Typ. 17 dBc		20 dBc	
	Fo - () MHz	Typ. dBc		dBc	
	Fo +() MHz	Ty dBc		dBc	
Return Loss		Min. 12 dB		15.8 dB	
Ripple		< 1 dB		dB	
Impedance		In / Out : 50 Ω		In / Out : 50 Ω	
(4) Torque for Tuning Screw		> 60gf • cm			

(5) Temperature Condition:	
Operating Temperature	0°C ~ +60°C
Storage Temperature	-20°C ~ +70°C
(6) Input Power	> 0.5Watt

(7) Measuring Circuit: ※Easy to match Impedance 50Ω by parallel with about (1)(0) nH.

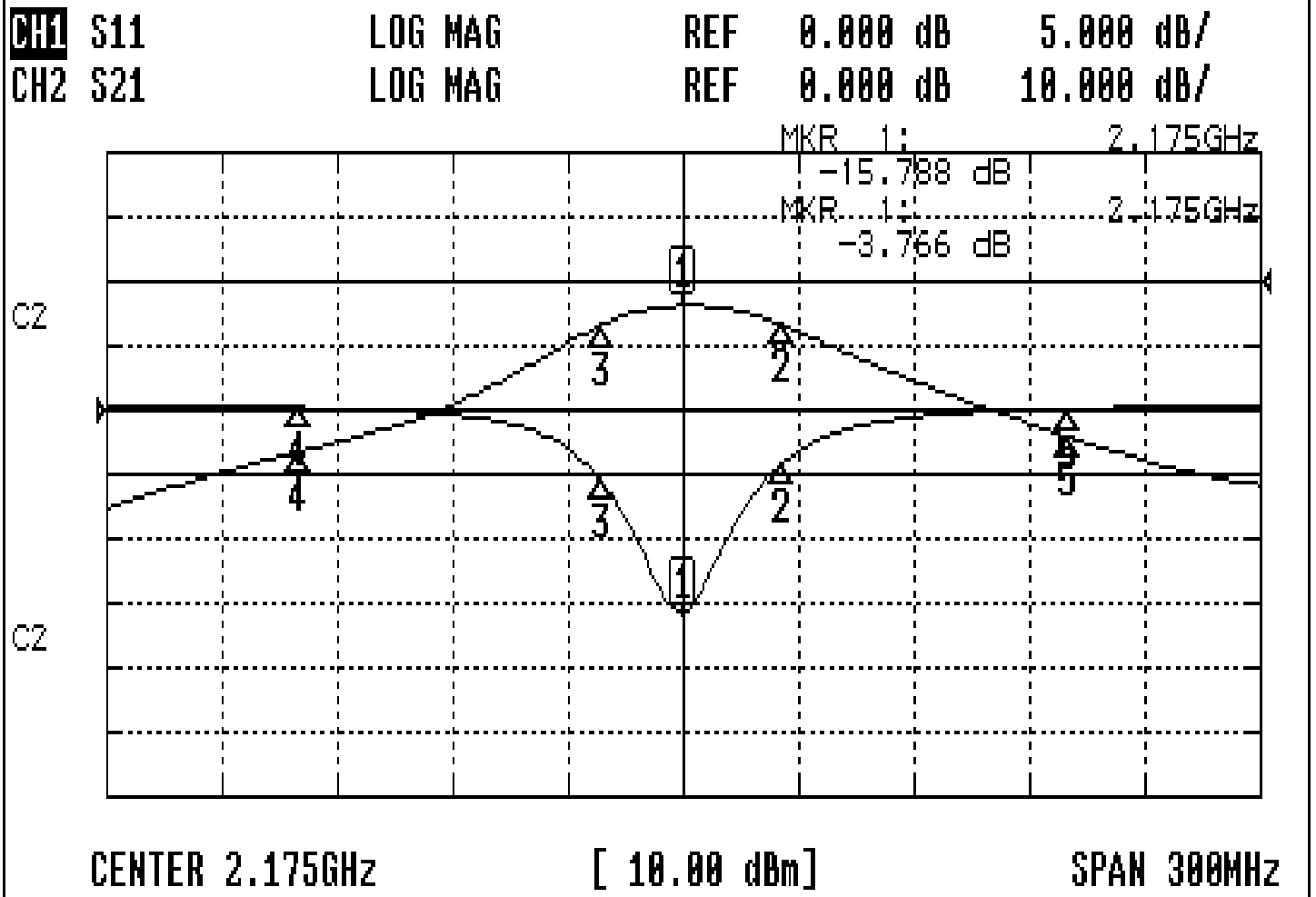


Approval	Supervisor	Designer	Aperture size
C.Y. Chang	C.S. Chang	C.S. Chang	5W2, 3.8*3.5(3.61) 5HW024RB3

TEMWELL CORPORATION

Performance-TDW2720B-2175M

0602085DC



CH1 MARKER LIST

1:	2.175	000GHz	-15.805	dB
2:	2.200	750GHz	-4.147	dB
3:	2.153	500GHz	-5.429	dB
4:	2.075	000GHz	0.154	dB
5:	2.275	000GHz	0.087	dB
6:				
7:				
8:				
9:				
10:				

CH2 MARKER LIST

1:	2.175	000GHz	-3.766	dB
2:	2.200	750GHz	-6.764	dB
3:	2.153	500GHz	-6.754	dB
4:	2.075	000GHz	-26.466	dB
5:	2.275	000GHz	-24.115	dB
6:				
7:				
8:				
9:				
10:				