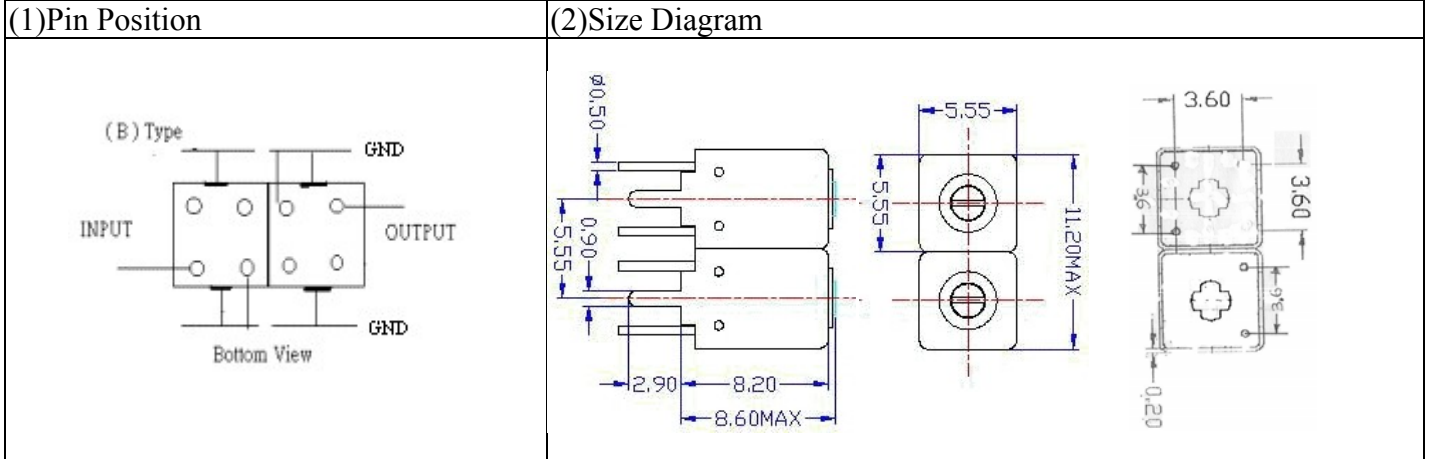


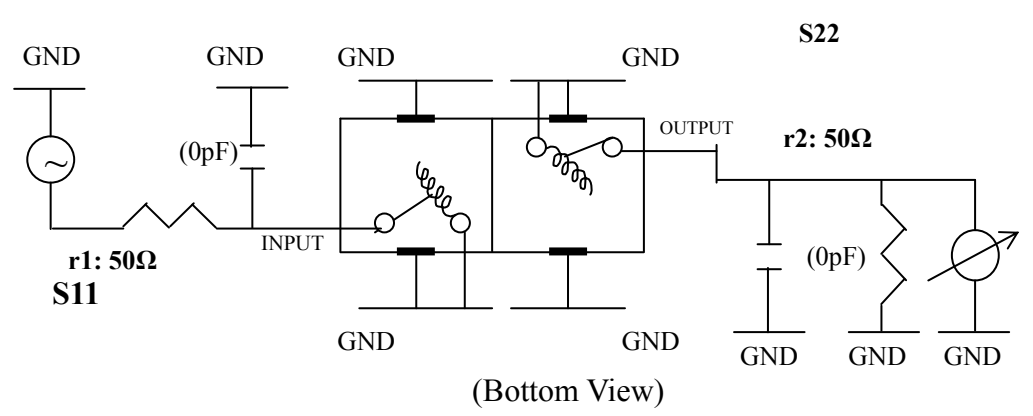
VHF UHF Helical Filter Specification Sheet

Customer Name		Temwell's Part No.	TDW2717B-2025M
Approval No. /dated	0602082APR	Acceptable Specify Fo Range	2001M~2050M
Work Instruction No.	0602082DC	Date	May.09.2006



(3) Electric Character					
Item		Specify		Performance	
Center Freq.(Fo) +/- 0.5 %		2025 MHz		2025 MHz	
Tunable Range:		2025±5 MHz		2025±5 MHz	
Insertion Loss		Typ. 4.0 dB		2.92 dB	
-3 dB Bandwidth		Typ. 33 MHz		43.1 MHz	
Sensitivity (Attenuation)	Fo - 100 MHz	Typ. 23 dBc		26 dBc	
	Fo + 100 MHz	Typ. 21 dBc		24 dBc	
	Fo - ()MHz	Typ. dBc		dBc	
	Fo + ()MHz	Typ. dBc		dBc	
Return Loss		Min. 12 dB		22.6 dB	
Ripple		< 1 dB		dB	
Impedance		In / Out : 50 Ω		In / Out : 50 Ω	
(4) Torque for Tuning Screw		> 60gf · cm			
(5) Temperature Condition:					
Operating Temperature		0°C ~ +60°C			
Storage Temperature		-20°C ~ +70°C			
(6) Input Power		> 0.5Watt			

(7) Measuring Circuit: ※Easy to match Impedance 50Ω/ by parallel with about (0) pF.

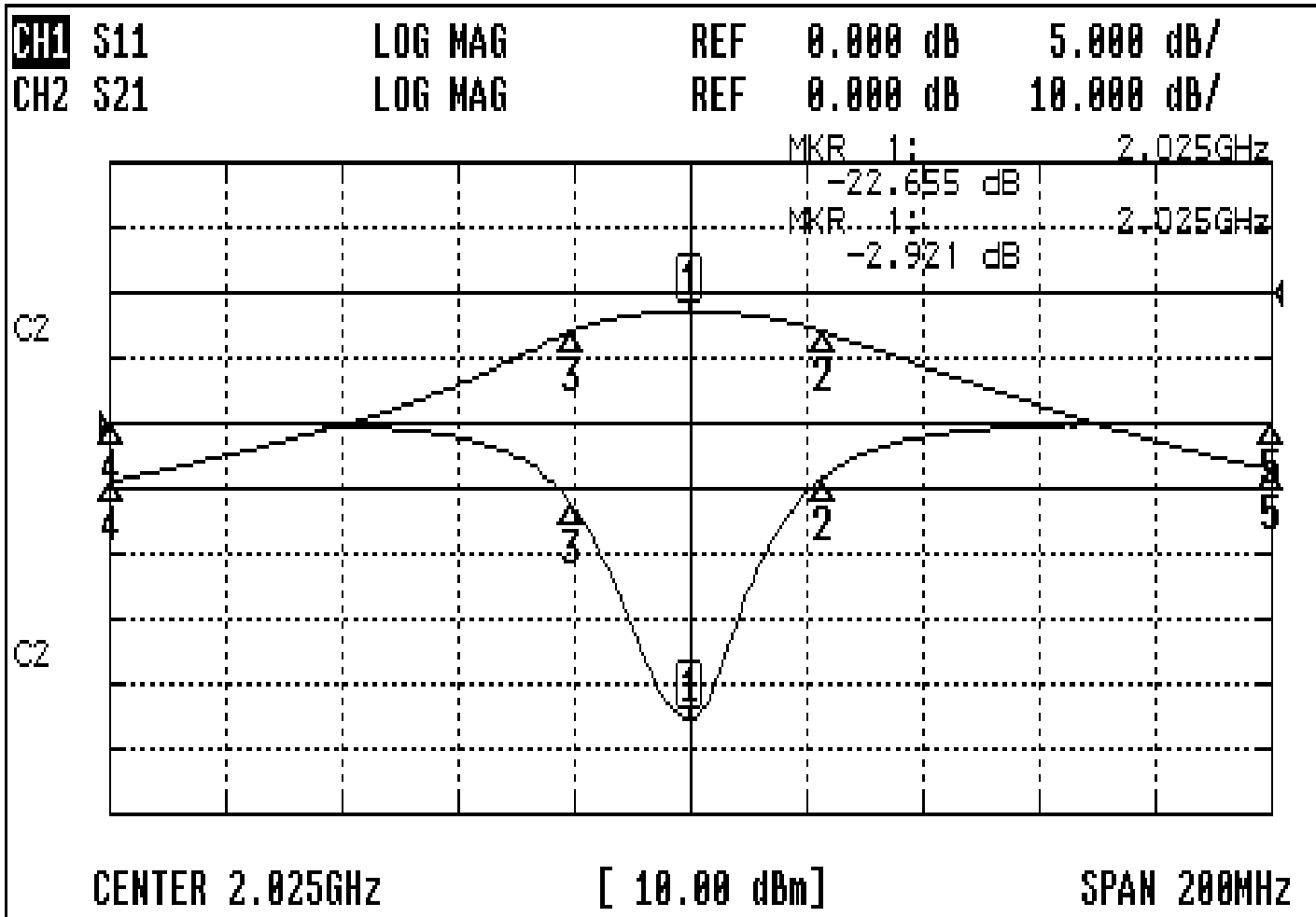


Approval	Supervisor	Designer	Aperture size
C.Y.Chang	C.S.Chang	C.S.Chang	5w2(3.8*3.5)(3.62) 5HW024RB3

TEMWELL CORPORATION

Performance-TDW2717B-2025M

0602082DC



CH1 MARKER LIST

1:	2.025	000GHz	-22.655	dB
2:	2.047	666GHz	-4.230	dB
3:	2.004	500GHz	-6.149	dB
4:	1.925	000GHz	0.136	dB
5:	2.125	000GHz	0.130	dB

CH2 MARKER LIST

1:	2.025	000GHz	-2.921	dB
2:	2.047	666GHz	-5.932	dB
3:	2.004	500GHz	-5.912	dB
4:	1.925	000GHz	-29.058	dB
5:	2.125	000GHz	-27.138	dB