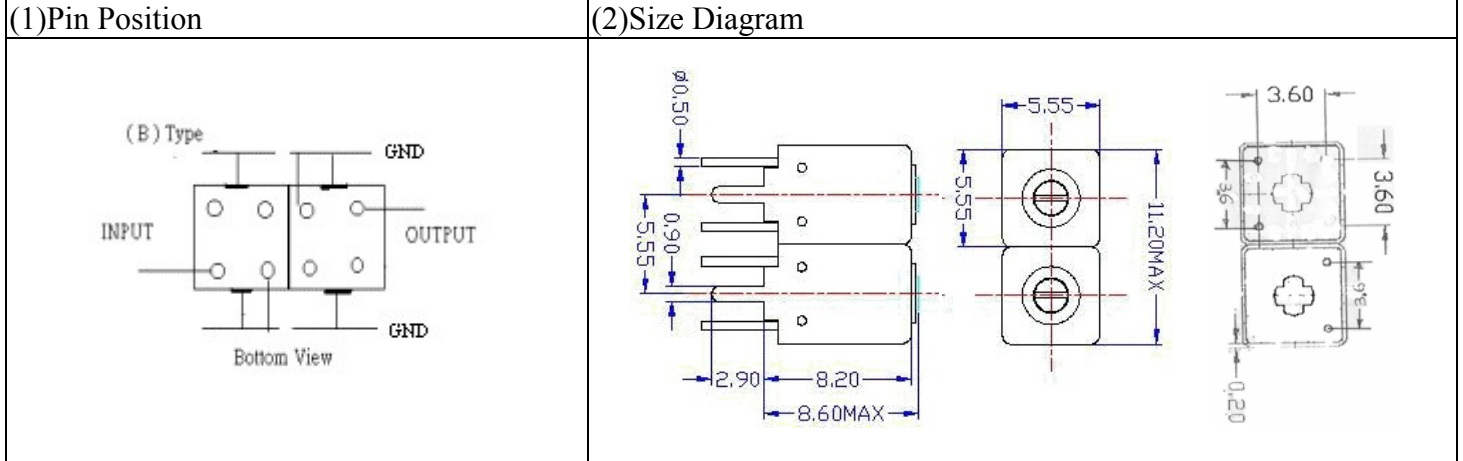


VHF UHF Helical Filter Specification Sheet

Customer Name		Temwell's Part No.	TDW2716B-1975M
Approval No. /dated	0602081APR	Acceptable Specify Fo Range	1951~2000M
Work Instruction No.	0602081DC	Date	May.08.2006

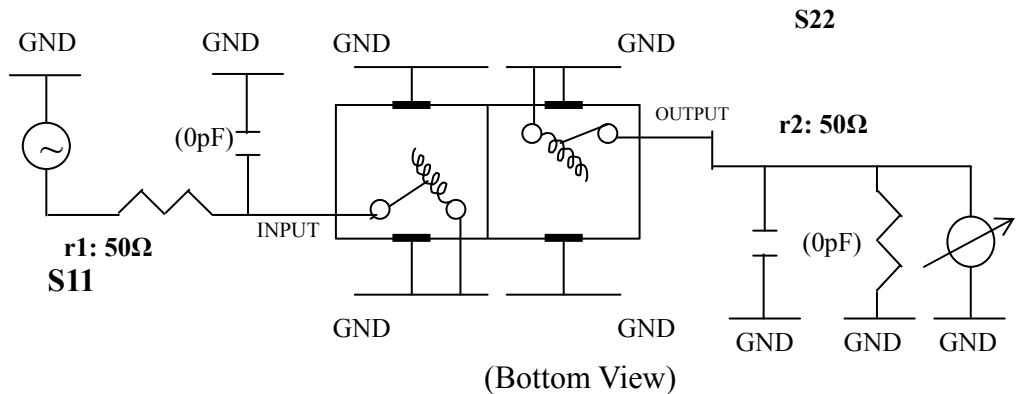


(3) Electric Characteristic			
Item	Specify	Performance	
Center Freq.(Fo) +/- 0.5 %	1975 MHz	1975 MHz	
Tunable Range:	1975±10 MHz	1975±10 MHz	
Insertion Loss	Typ. 4.0 dB	3.04 dB	
-3 dB Bandwidth	Typ. 27 MHz	37.4 MHz	
Sensitivity (Attenuation)	Fo - 100 MHz	Typ. 20 dBc	28 dBc
	Fo + 100 MHz	Typ. 21 dBc	24 dBc
	Fo - ()MHz	Typ. dBc	dBc
	Fo +()MHz	Typ. dBc	dBc
Return Loss	Min. 12 dB	37.9 dB	
Ripple	< 1 dB	dB	
Impedance	In / Out : 50 Ω	In / Out : 50 Ω	
(4) Torque for Tuning Screw	> 60gf · cm		

(5) Temperature Condition:	
Operating Temperature	0°C ~ +60°C
Storage Temperature	-20°C ~ +70°C

(6) Input Power > 0.5Watt

(7) Measuring Circuit: ※Easy to match Impedance 50Ω/ by parallel with about (0) pF.



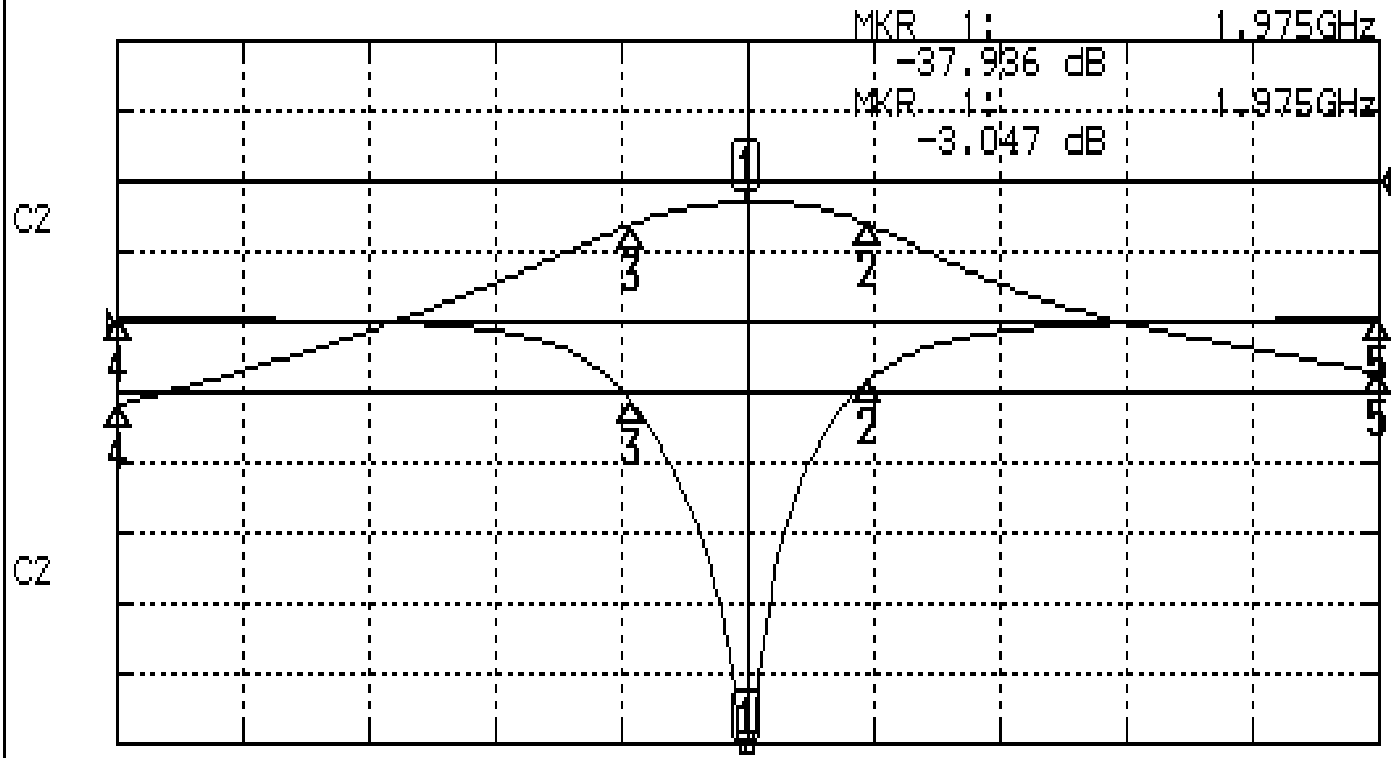
Approval	Supervisor	Designer	Aperture size
C.Y. Chang	C.S. Chang	C.S. Chang	5w2(3.8*3.5)(3.60) 5HW024RB3

TEMWELL CORPORATION

Performance-TDW2716B-1975M

0602081DC

CH1 S11 LOG MAG REF 0.000 dB 5.000 dB/
CH2 S21 LOG MAG REF 0.000 dB 10.000 dB/



CENTER 1.975GHz

[10.00 dBm]

SPAN 200MHz

CH1 MARKER LIST

1	1.975	000GHz	-37.921	dB
2	1.994	000GHz	-4.177	dB
3	1.956	666GHz	-5.632	dB
4	1.875	000GHz	0.234	dB
5	2.075	000GHz	0.212	dB

CH2 MARKER LIST

1	1.975	000GHz	-3.047	dB
2	1.994	000GHz	-6.053	dB
3	1.956	666GHz	-6.060	dB
4	1.875	000GHz	-31.749	dB
5	2.075	000GHz	-27.272	dB