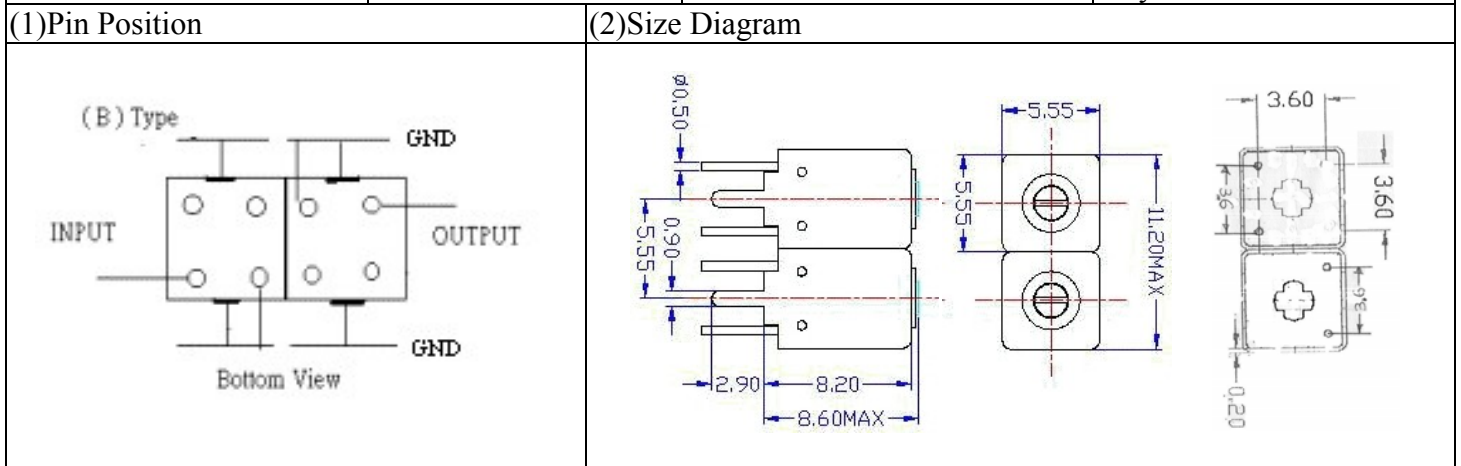


# VHF UHF Helical Filter Specification Sheet

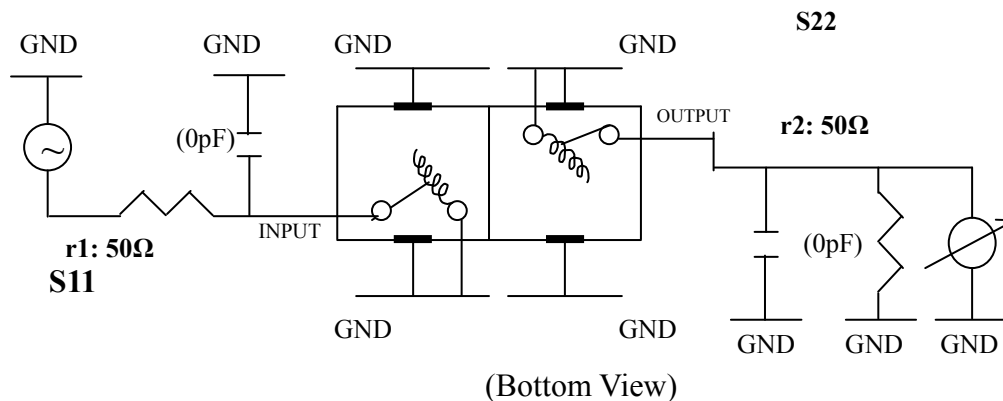
Customer Name		Temwell's Part No.	TDW2706B-1425M
Approval No. /dated	0602071APR	Acceptable Specify Fo Range	1401-1450 MHz
Work Instruction No.	0602071DC	Date	May.11.2006



(3) Electric Character			
Item	Specify	Performance	
Center Freq.(Fo ) +/- 0.5 %	1425 MHz	1425 MHz	
Tunable Range:	1425±10 MHz	1425±10 MHz	
Insertion Loss	Typ. 4.5 dB	3.44 dB	
-3 dB Bandwidth	Typ. 29 MHz	36.7 MHz	
Sensitivity (Attenuation)	Fo - 100 MHz	Typ. 26 dBc	29 dBc
	Fo + 100 MHz	Typ. 20 dBc	23 dBc
	Fo - ( )MHz	Typ. dBc	dBc
	Fo +( )MHz	Typ. dBc	dBc
Return Loss	Min. 12 dB	20.5 dB	
Ripple	< 1 dB	dB	
Impedance	In / Out : 50 Ω	In / Out : 50 Ω	
(4) Torque for Tuning Screw	> 60gf · cm		

(5) Temperature Condition:	
Operating Temperature	0°C ~ +60°C
Storage Temperature	-20°C ~ +70°C
(6) Input Power	> 0.5Watt

(7) Measuring Circuit: ※Easy to match Impedance 50Ω/ by parallel with about (0) pF.



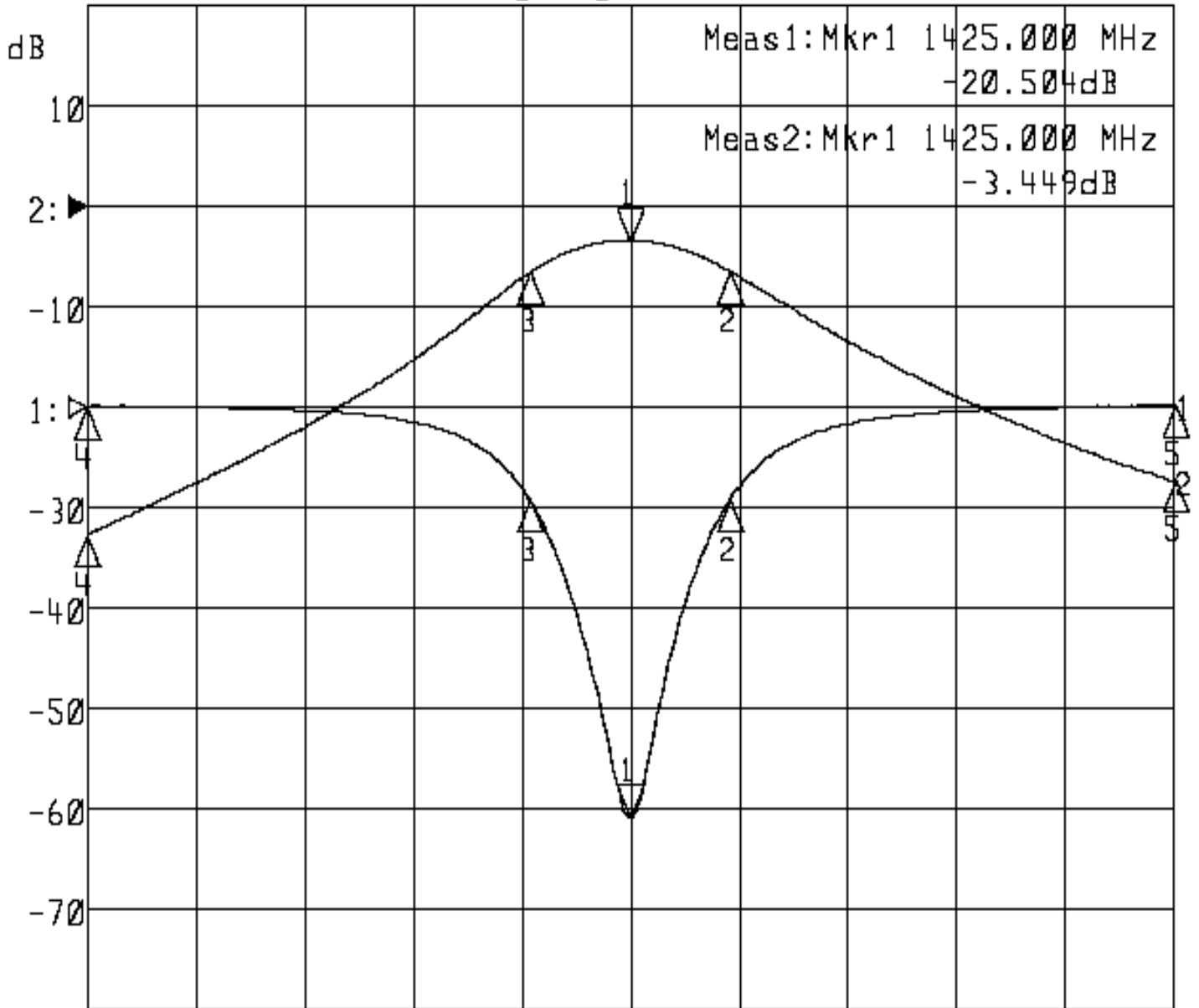
Approval	Supervisor	Designer	Aperture size
C.Y. Chang	C.S. Chang	W.W. Wang	5w2(3.8*4.5) 5HW046RB3.2

TEMWELL CORPORATION

# Performance-TDW2706B-1425M

## 0602071DC

▷1:S11 Refl Port1 Log Mag 5.0 dB/ Ref 0.00 dB C  
▶2:S21 Fwd Trans Log Mag 10.0 dB/ Ref 0.00 dB C



Center 1 425.000 MHz

Span 200.000 MHz

1:Mkr (MHz)	dB	2:Mkr (MHz)	dB
1> 1425.0000	-20.504	1> 1425.0000	-3.449
2: 1443.3333	-4.586	2: 1443.3333	-6.418
3: 1406.6000	-4.653	3: 1406.6000	-6.522
4: 1325.0000	0.025	4: 1325.0000	-32.737
5: 1525.0000	0.065	5: 1525.0000	-27.334