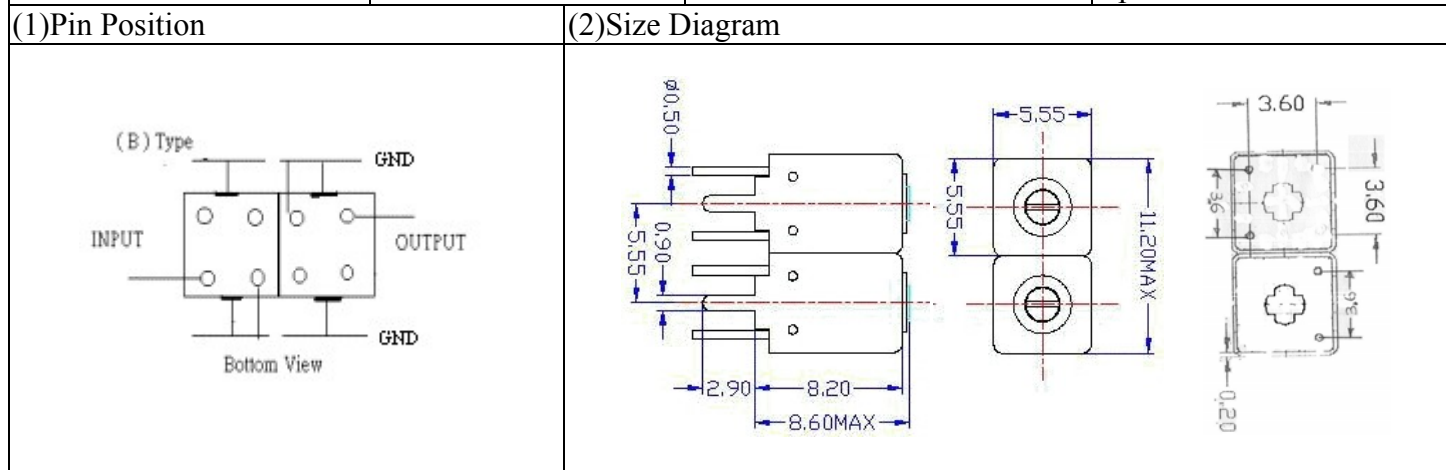


VHF UHF Helical Filter Specification Sheet

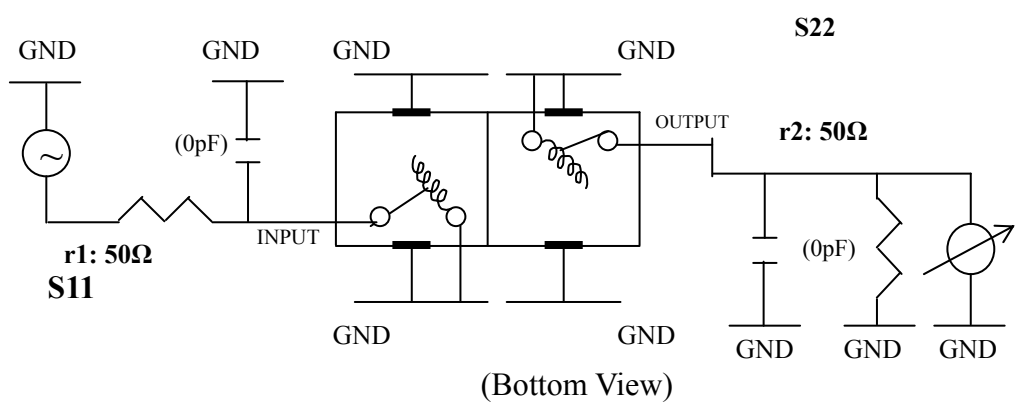
Customer Name		Temwell's Part No.	TDW2701B-925M
Approval No. /dated	0602066APR	Acceptable Specify Fo Range	901M~950M
Work Instruction No.	0602066DC	Date	Apr.27.2006



(3) Electric Characteristic			
Item	Specify		Performance
Center Freq.(Fo) +/- 0.5 %	925	MHz	925 MHz
Tunable Range:	925±5	MHz	925±5 MHz
Insertion Loss	Typ.	3.5 dB	2.60 dB
-3 dB Bandwidth	Typ.	30 MHz	40.5 MHz
Sensitivity (Attenuation)	Fo - 100 MHz	Typ.	27 dBc
	Fo + 100 MHz	Typ.	19 dBc
	Fo - ()MHz	Typ.	dBc
	Fo + ()MHz	Typ.	dBc
Return Loss	Min.	12 dB	60.5 dB
Ripple			< 1 dB
Impedance	In / Out : 50 Ω		In / Out : 50 Ω
(4) Torque for Tuning Screw	> 60gf • cm		

(5) Temperature Condition:	
Operating Temperature	0°C ~ +60°C
Storage Temperature	-20°C ~ +70°C
(6) Input Power	> 0.5Watt

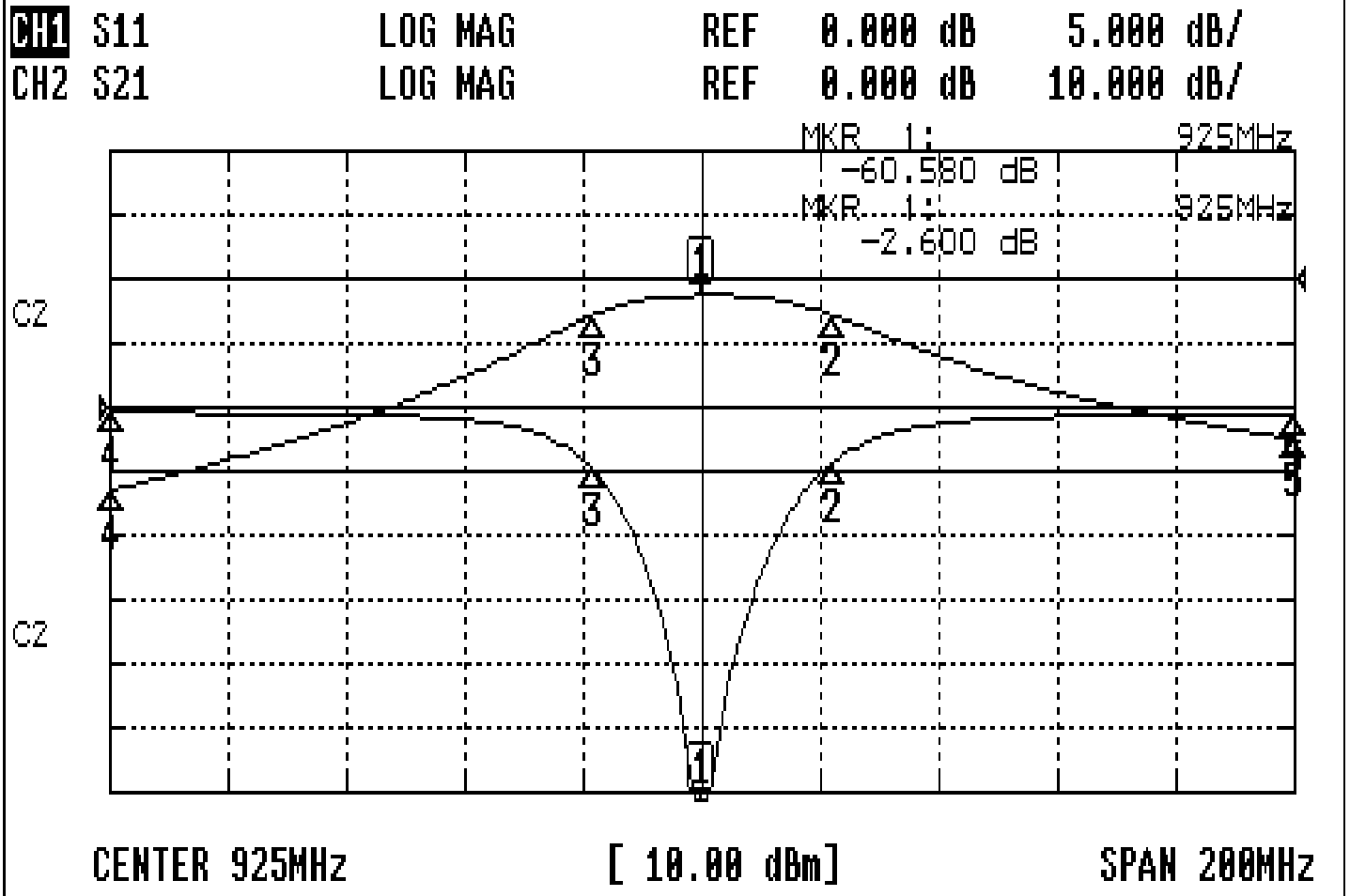
(7) Measuring Circuit: ※Easy to match Impedance 50Ω/ by parallel with about (0) pF.



Approval	Supervisor	Designer	Aperture size
C.Y. Chang	C.S. Chang	P.H. Chiang	5w2(3.8*4.0)(4.09) 5HW024RB3
TEMWELL CORPORATION			

Performance-TDW2701B-925M

0602066DC



CH1 MARKER LIST

1:	925.000MHz	-60.580 dB
2:	947.166MHz	-4.286 dB
3:	906.666MHz	-4.841 dB
4:	825.000MHz	-0.407 dB
5:	1.025 000GHz	-0.500 dB

CH2 MARKER LIST

1:	925.000MHz	-2.600 dB
2:	947.166MHz	-5.647 dB
3:	906.666MHz	-5.634 dB
4:	825.000MHz	-33.043 dB
5:	1.025 000GHz	-24.969 dB