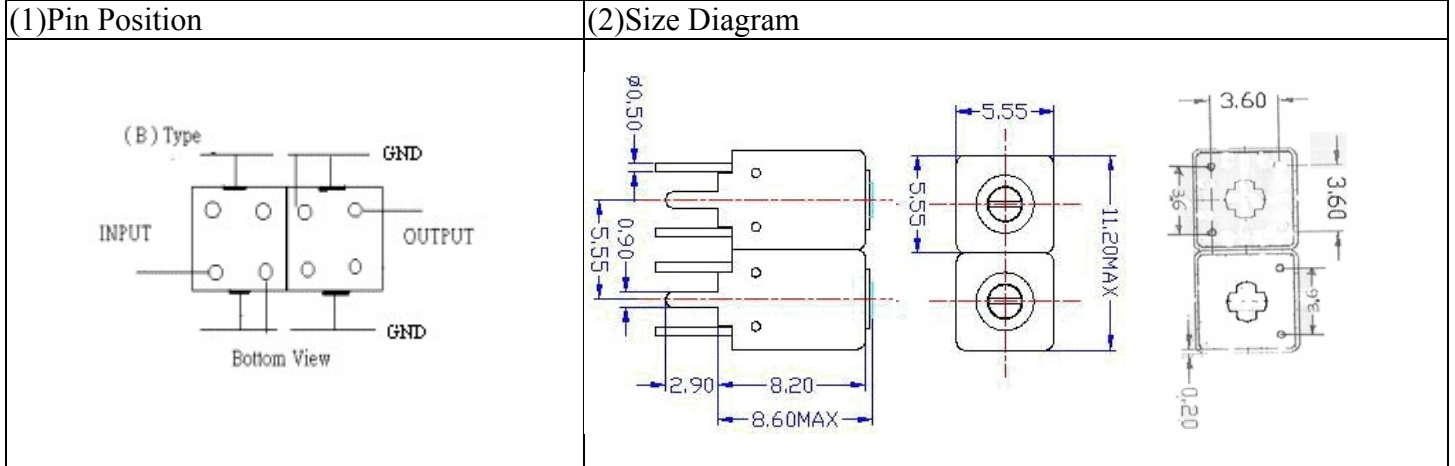


VHF UHF Helical Filter Specification Sheet

Customer Name		Temwell's Part No.	TDW2700B-875M
Approval No. /dated	0602065APR	Acceptable Specify Fo Range	851M~900M
Work Instruction No.	0602065DC	Date	Apr.25.2006



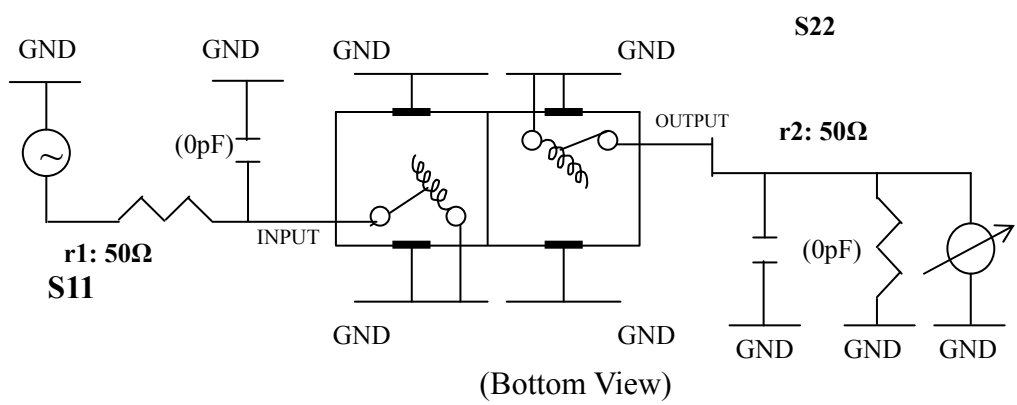
(3) Electric Characteristic			
Item	Specify		Performance
Center Freq.(Fo) +/- 0.5 %	875	MHZ	875 MHZ
Tunable Range:	875±5	MHZ	875±5 MHZ
Insertion Loss	Typ. 3.0	dB	2.18 dB
-3 dB Bandwidth	Typ. 35	MHZ	39.9 MHZ
Sensitivity (Attenuation)	Fo - 100 MHz	Typ. 32 dBc	35 dBc
	Fo + 100 MHz	Typ. 19 dBc	22 dBc
	Fo - ()MHz	Typ. dBc	dBc
	Fo +()MHz	Typ. dBc	dBc
Return Loss	Min. 12	dB	31.0 dB
Ripple	< 1	dB	dB
Impedance	In / Out : 50 Ω		In / Out : 50 Ω

(4) Torque for Tuning Screw > 60gf • cm

(5) Temperature Condition:
 Operating Temperature 0°C ~ +60°C
 Storage Temperature -20°C ~ +70°C

(6) Input Power > 0.5Watt

(7) Measuring Circuit: ※Easy to match Impedance 50Ω/ by parallel with about (0) pF.



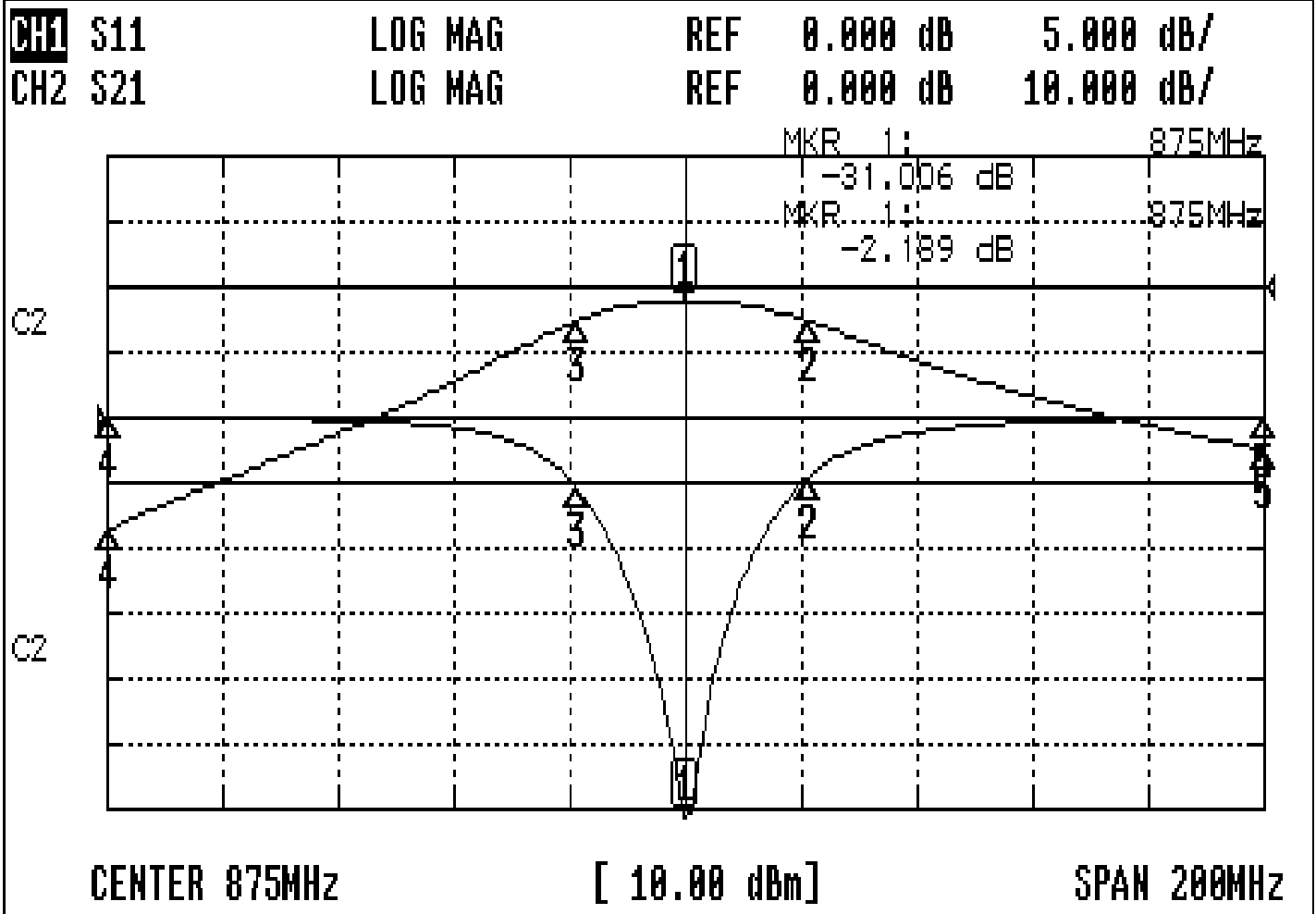
Approval	Supervisor	Designer	Aperture size
C.Y. Chang	C.S. Chang	C.S. Chang	5w2(3.8*4.5)(4.56) 5HW024RB3

TEMWELL CORPORATION

TEMWELL RP:C.S.Chang

Performance-TDW2700B-875M

0602065DC



CH1 MARKER LIST

1:	875.000MHz	-31.039 dB
2:	896.000MHz	-4.686 dB
3:	856.166MHz	-5.302 dB
4:	775.000MHz	0.022 dB
5:	975.000MHz	0.026 dB

CH2 MARKER LIST

1:	875.000MHz	-2.189 dB
2:	896.000MHz	-5.165 dB
3:	856.166MHz	-5.181 dB
4:	775.000MHz	-37.156 dB
5:	975.000MHz	-24.853 dB