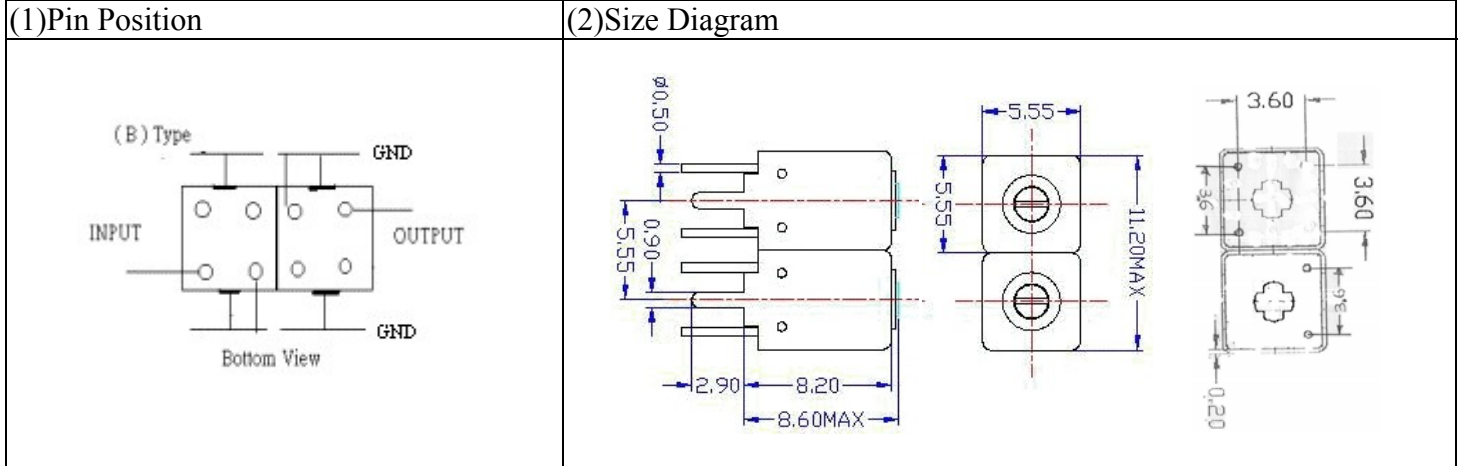


VHF UHF Helical Filter Specification Sheet

Customer Name		Temwell's Part No.	TDW2699B-675M
Approval No. /dated	0602064APR	Acceptable Specify Fo Range	651M~700M
Work Instruction No.	0602064DC	Date	Apr.25.2006



(3) Electric Character		Specify	Performance
Item			
Center Freq.(Fo) +/- 0.5 %		675 MHz	675 MHz
Tunable Range:		675±5 MHz	675±5 MHz
Insertion Loss	Typ.	2.5 dB	1.40 dB
-3 dB Bandwidth	Typ.	30 MHz	40.5 MHz
Sensitivity (Attenuation)	Fo - 100 MHz	Typ. 31 dBc	34 dBc
	Fo + 100 MHz	Typ. 19 dBc	22 dBc
	Fo - ()MHz	Typ. dBc	dBc
	Fo +()MHz	Typ. dBc	dBc
Return Loss	Min.	12 dB	21.0 dB
Ripple		< 1 dB	dB
Impedance		In / Out : 50 Ω	In / Out : 50 Ω

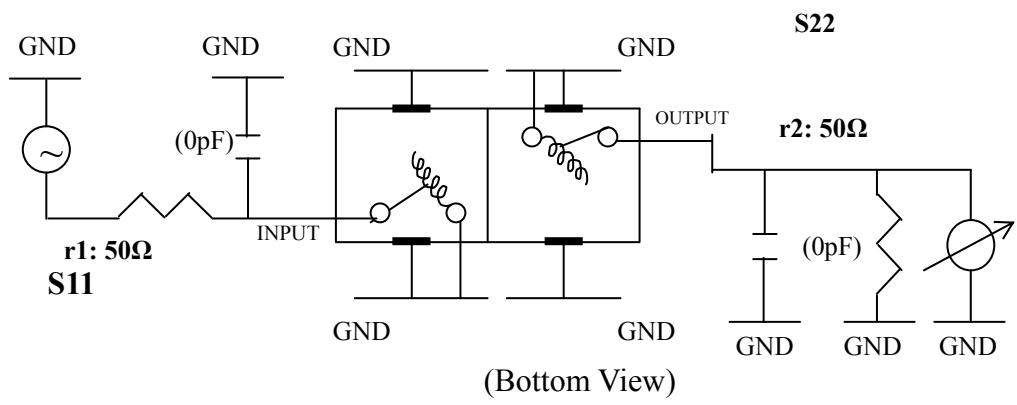
(4) Torque for Tuning Screw > 60gf · cm

(5) Temperature Condition:

Operating Temperature	0°C ~ +60°C
Storage Temperature	-20°C ~ +70°C

(6) Input Power > 0.5Watt

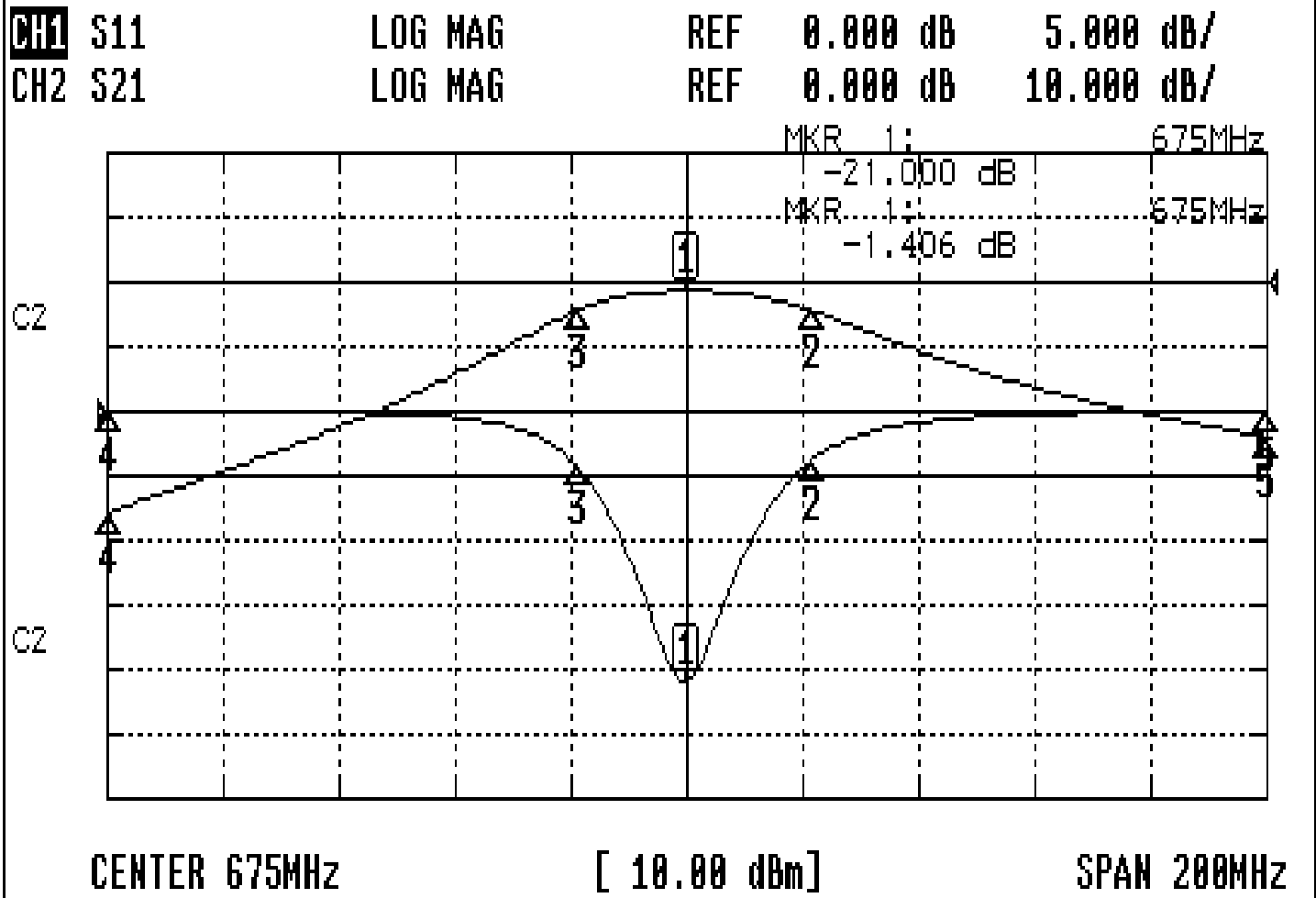
(7) Measuring Circuit: ※Easy to match Impedance 50Ω/ by parallel with about (0) pF.



Approval	Supervisor	Designer	Aperture size
C.Y. Chang	C.S. Chang	C.S. Chang	5w2(3.8*4.5)(4.53) 5HW024RB3

Performance-TDW2699B-675M

0602064DC



CH1 MARKER LIST

1	675.000MHz	-21.000	dB
2	696.500MHz	-3.805	dB
3	656.000MHz	-4.200	dB
4	575.000MHz	0.028	dB
5	775.000MHz	0.023	dB

CH2 MARKER LIST

1	675.000MHz	-1.406	dB
2	696.500MHz	-4.305	dB
3	656.000MHz	-4.375	dB
4	575.000MHz	-3.786	dB
5	775.000MHz	-23.870	dB