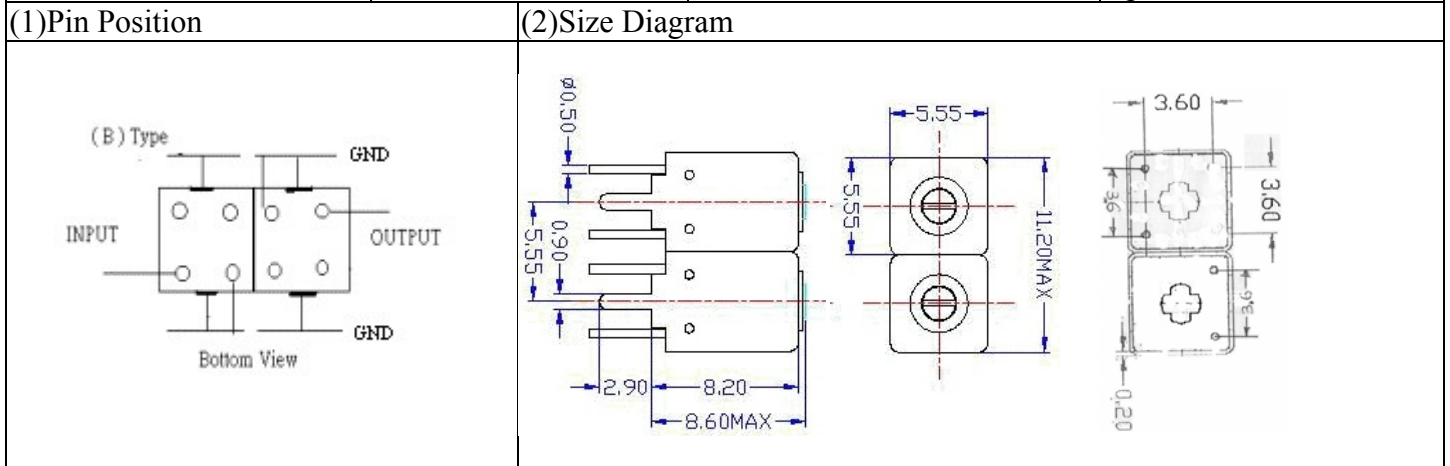


VHF UHF Helical Filter Specification Sheet

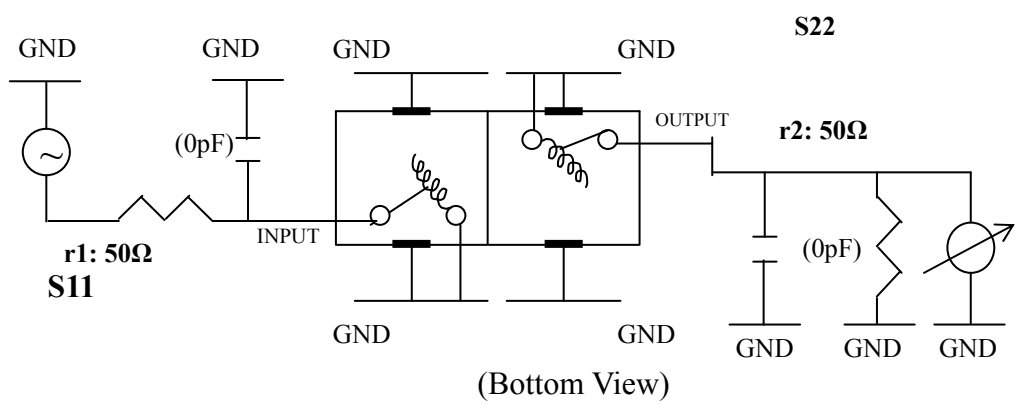
Customer Name		Temwell's Part No.	TDW2698B-525M
Approval No. /dated	0602063APR	Acceptable Specify Fo Range	501M~550M
Work Instruction No.	0602063DC	Date	Apr.24.2006



(3) Electric Character			
Item	Specify	Performance	
Center Freq.(Fo) +/- 0.5 %	525 MHz	525	MHz
Tunable Range:	525±5 MHz	525±5	MHz
Insertion Loss	Typ. 2.5 dB	1.50	dB
-3 dB Bandwidth	Typ. 30 MHz	38.2	MHz
Sensitivity (Attenuation)	Fo - 100 MHz	Typ. 20	dBc
	Fo + 100 MHz	Typ. 31	dBc
	Fo - () MHz	Typ.	dBc
	Fo + () MHz	Typ.	dBc
Return Loss	Min. 12 dB	22.9	dB
Ripple	< 1 dB		dB
Impedance	In / Out : 50 Ω	In / Out : 50 Ω	
(4) Torque for Tuning Screw	> 60gf · cm		

(5) Temperature Condition:	
Operating Temperature	0°C ~ +60°C
Storage Temperature	-20°C ~ +70°C
(6) Input Power	> 0.5Watt

(7) Measuring Circuit: ※Easy to match Impedance 50Ω/ by parallel with about (0) pF.



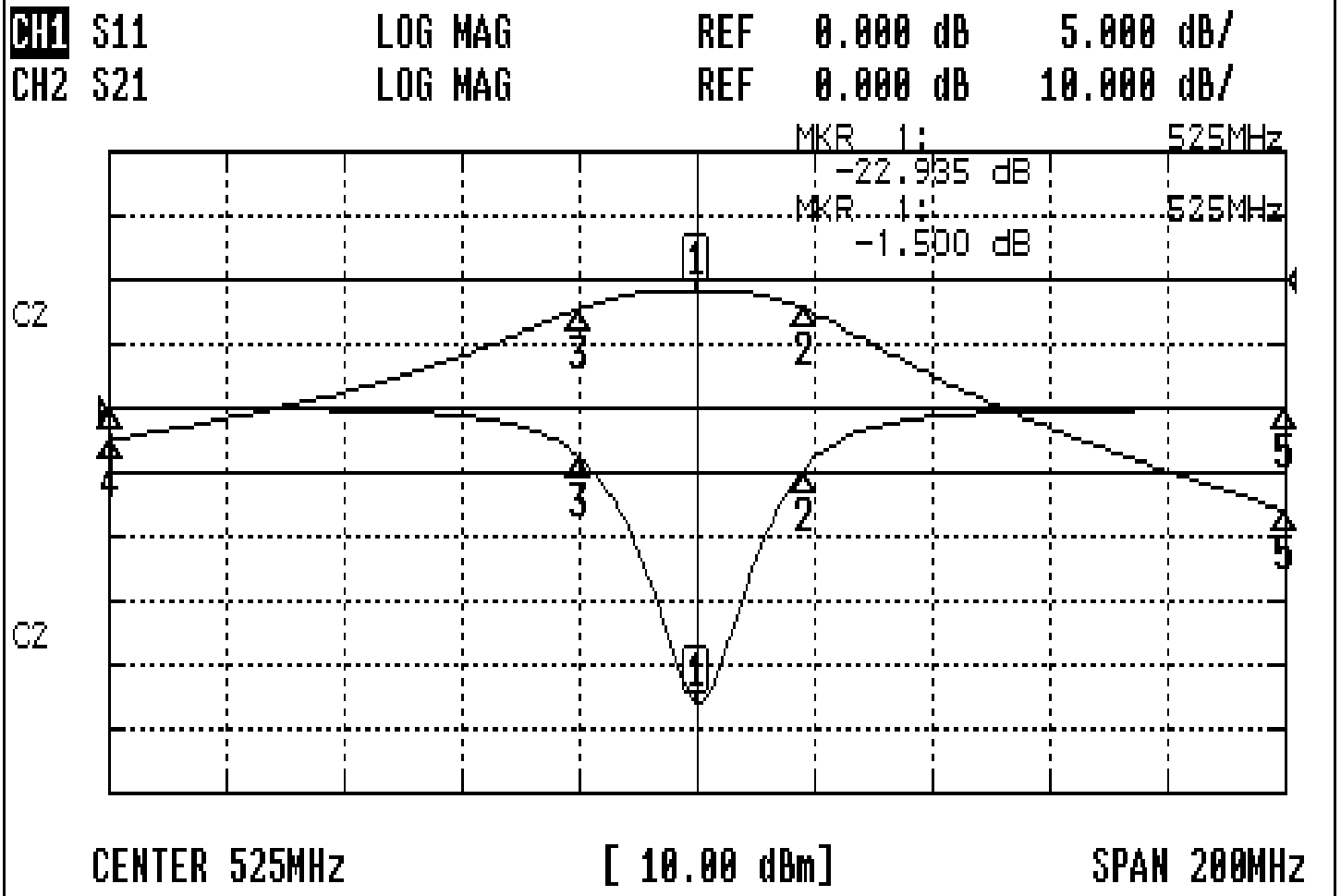
Approval	Supervisor	Designer	Aperture size
C.Y. Chang	C.S. Chang	C.S. Chang	5w2(3.8*5.1)(5.16) 5HW024LB3

TEMWELL CORPORATION

TEMWELL RP:C.S.Chang

Performance-TDW2698B-525M

0602063DC



CH1 MARKER LIST

Marker	Frequency (MHz)	Value (dB)
1	525.000	-22.935
2	543.333	-4.748
3	505.166	-3.866
4	425.000	-0.034
5	625.000	-0.070

CH2 MARKER LIST

Marker	Frequency (MHz)	Value (dB)
1	525.000	-1.501
2	543.333	-4.466
3	505.166	-4.436
4	425.000	-24.868
5	625.000	-36.007