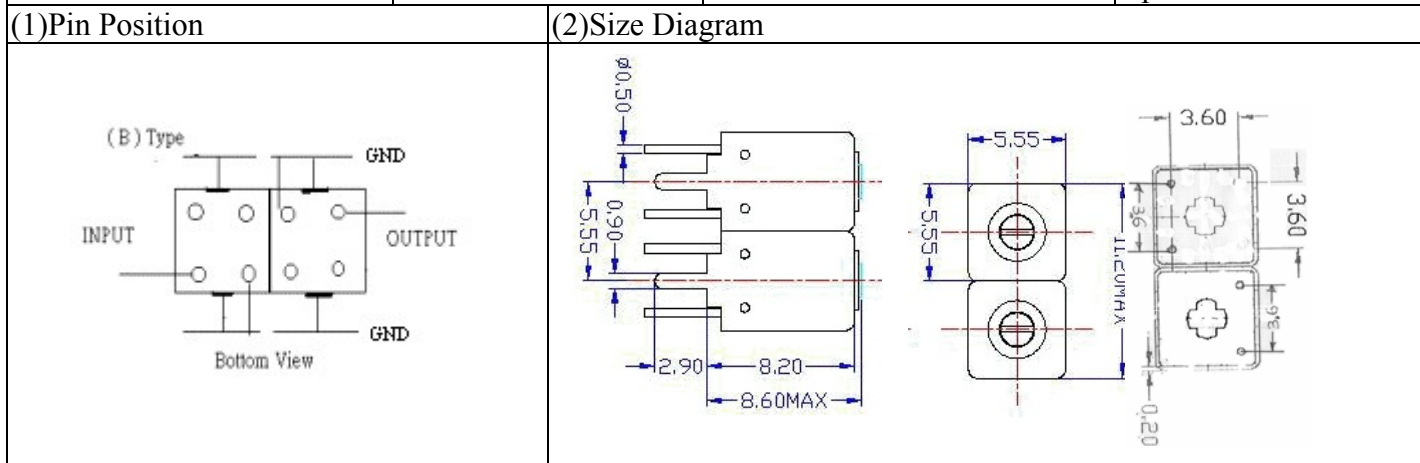


VHF UHF Helical Filter Specification Sheet

Customer Name		Temwell's Part No.	TDW2690B-875M
Approval No. /dated	0602055APR	Customer's Part No.	851~900MHz
Work Instruction No.	0602055DC	Date	Apr.26.2006



(3) Electric Chararistic

Item	Specify	Performance	
Center Freq.(Fo) +/- 0.5 %	875 MHz	875 MHz	
Tunable Range	875±10 MHz	875±10 MHz	
Insertion Loss	Typ. 3.0 dB	1.90 dB	
-3 dB Bandwidth	Typ. 30 MHz	36.3 MHz	
Sensitivity (Attenuation)	Fo - 100 MHz	Typ. 35 dBc	37 dBc
	Fo + 100 MHz	Typ. 24 dBc	27 dBc
	Fo - ()MHz	Typ. dBc	dBc
	Fo + ()MHz	Typ. dBc	dBc
Return Loss	Min. 12 dB	22.6 dB	
Ripple	< 1 dB	dB	
Impedance	In / Out : 50 Ω	In / Out : 50 Ω	

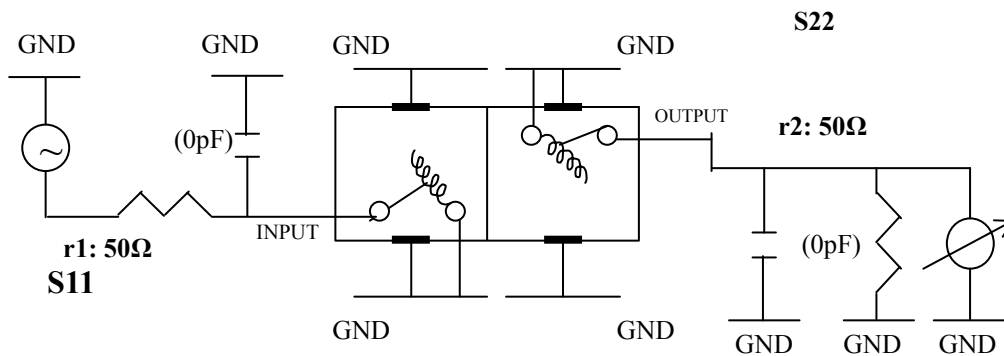
(4) Torque for Tuning Screw > 60gf · cm

(5) Temperature Condition:

Operating Temperature	0°C ~ +60°C
Storage Temperature	-20°C ~ +70°C

(6) Input Power > 0.5Watt

(7) Measuring Circuit: ※Easy to match Impedance S11/S22 50Ω/ by parallel with about(0nH) / (0 pF).

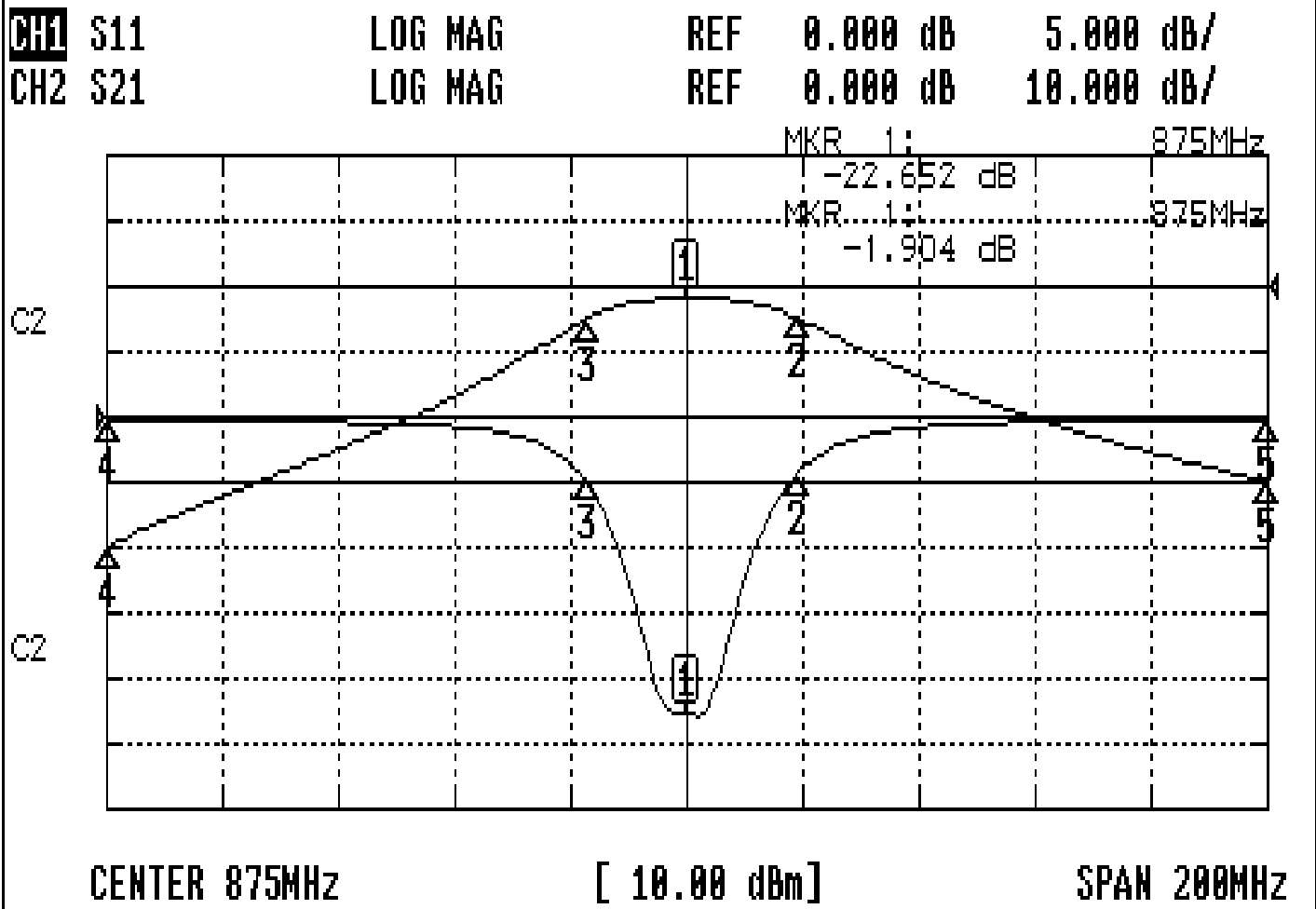


Approval	Supervisor	Designer	Aperture size
C.Y.Chang	C.S.Chang	P.H.Chiang	5W3(3.8*5.1)(5.10) 5HW024RB3
TEMWELL CORPORATION			

TEMWELL RP(P.H)

Performance-TDW2690B-875M

0602055DC



CH1 MARKER LIST

1:	875.000MHz	-22.652	dB
2:	894.166MHz	-4.316	dB
3:	857.833MHz	-5.026	dB
4:	775.000MHz	-0.288	dB
5:	975.000MHz	-0.269	dB
6:			
7:			
8:			
9:			
10:			

CH2 MARKER LIST

1:	875.000MHz	-1.904	dB
2:	894.166MHz	-4.896	dB
3:	857.833MHz	-4.929	dB
4:	775.000MHz	-39.727	dB
5:	975.000MHz	-29.879	dB
6:			
7:			
8:			
9:			
10:			