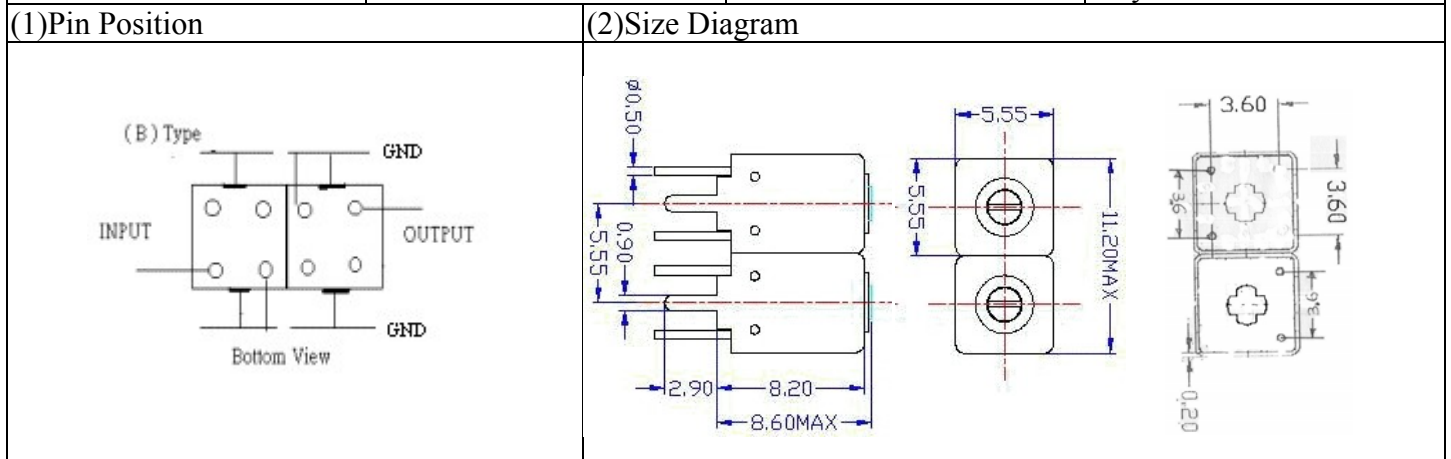


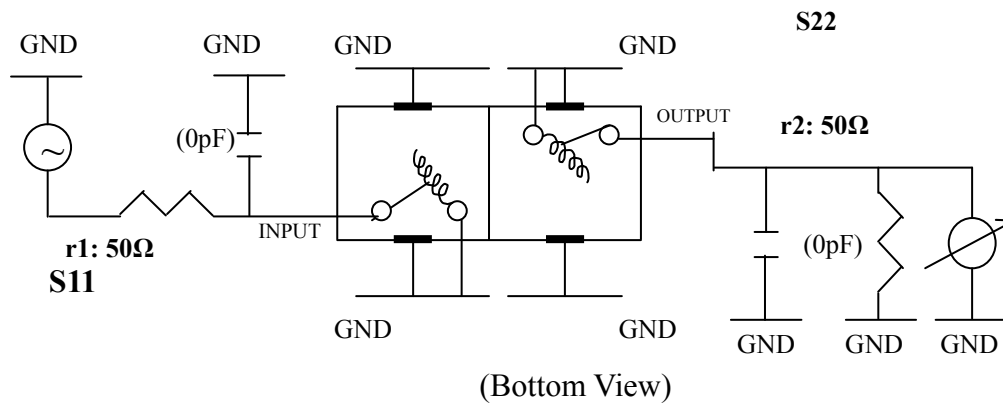
VHF UHF Helical Filter Specification Sheet

Customer Name		Temwell's Part No.	TDW2688B-575M
Approval No. /dated	0602053APR	Temwell's print name.	551~600M
Work Instruction No.	0602053DC	Date	May.02.2006



Item		Specify		Performance	
Center Freq.(Fo) +/- 0.5 %		575	MHz	575	MHz
Tunable Range:		575±5	MHz	575±5	MHz
Insertion Loss		Typ. 2.5	dB	1.44	dB
-3 dB Bandwidth		Typ. 25	MHz	30.3	MHz
Sensitivity (Attenuation)	Fo - 100 MHz	Typ. 44	dBc	47	dBc
	Fo + 100 MHz	Typ. 25	dBc	28	dBc
	Fo - ()MHz	Typ.	dBc		dBc
	Fo +()MHz	Typ.	dBc		dBc
Return Loss		Min. 12	dB	22.1	dB
Ripple		< 1	dB		dB
Impedance		In / Out : 50 Ω		In / Out : 50 Ω	
(4) Torque for Tuning Screw		> 60gf · cm			
(5) Temperature Condition:					
Operating Temperature		-0°C ~ +60°C			
Storage Temperature		-20°C ~ +70°C			
(6) Input Power		> 0.5Watt			

(7) Measuring Circuit: ※Easy to match Impedance 50Ω/ by parallel with about (0) pF.

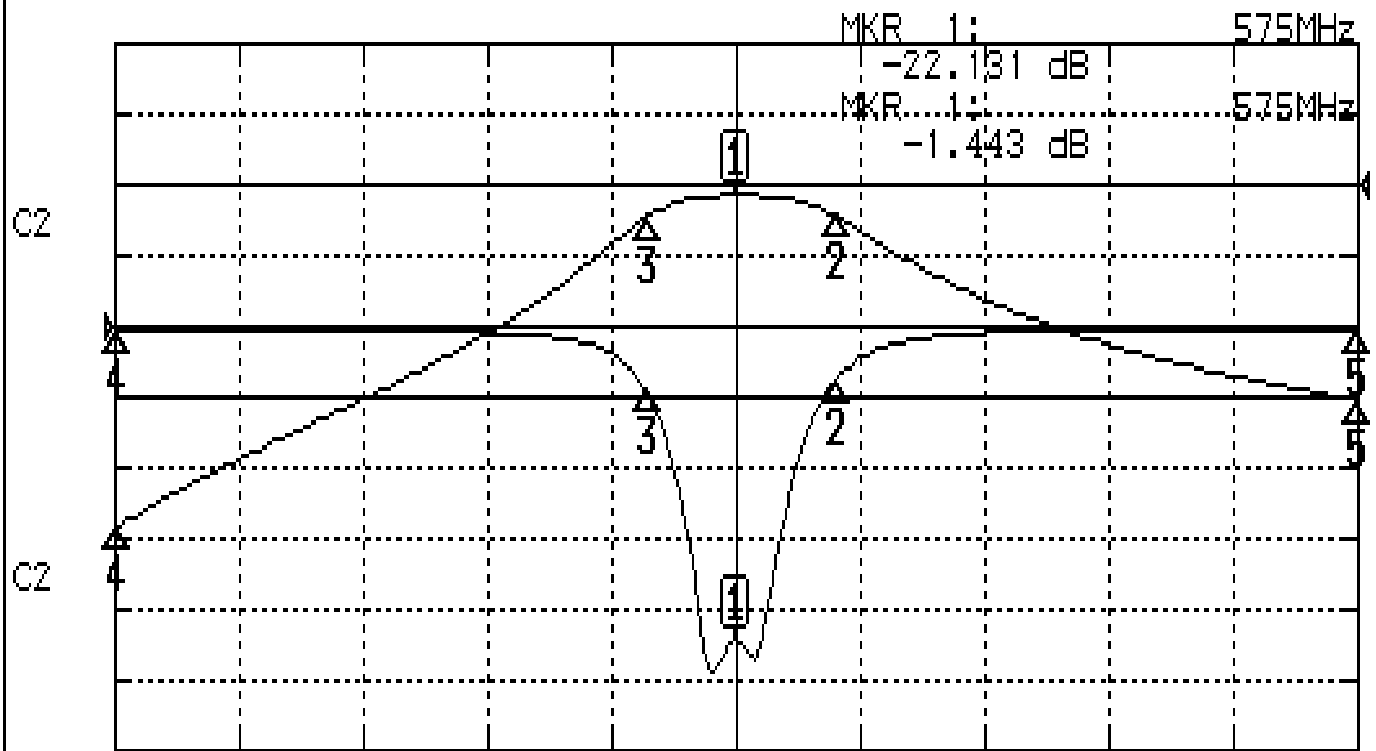


Approval	Supervisor	Designer	Aperture size
C.Y. Chang	C.S. Chang	W.W. Wang	5w2S(3.8*4.0) 5HW024RB3

TEMWELL CORPORATION

Performance-TDW2688B-575M 0602053DC

CH1 S11 LOG MAG REF 0.000 dB 5.000 dB/
CH2 S21 LOG MAG REF 0.000 dB 10.000 dB/



CENTER 575MHz

[10.00 dBm]

SPAN 200MHz

CH1 MARKER LIST

1:	575.000MHz	-22.131 dB
2:	591.166MHz	-3.722 dB
3:	560.833MHz	-4.717 dB
4:	475.000MHz	-0.202 dB
5:	675.000MHz	-0.229 dB
6:		
7:		
8:		
9:		
10:		

CH2 MARKER LIST

1:	575.000MHz	-1.443 dB
2:	591.166MHz	-4.426 dB
3:	560.833MHz	-4.434 dB
4:	475.000MHz	-48.794 dB
5:	675.000MHz	-30.336 dB
6:		
7:		
8:		
9:		
10:		