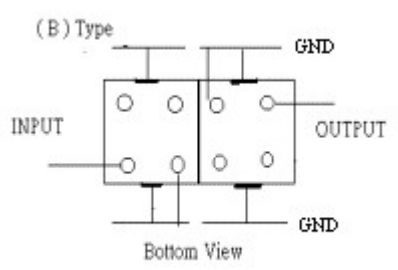
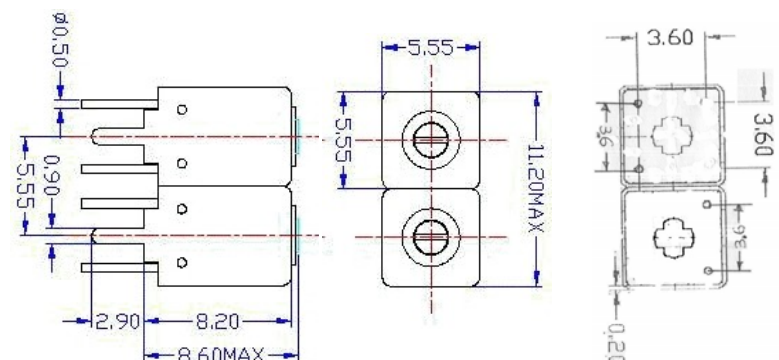


VHF UHF Helical Filter Specification Sheet

Customer Name		Temwell's Part No.	TDW2686B-1125M
Approval No. /dated	0602051APR	Acceptable Specify Fo Range	1101~1150M
Work Instruction No.	0602051DC	Date	Apr.24.2006

<p>(1) Pin Position</p> 	<p>(2) Size Diagram</p> 
---	--

(3) Electric Characteristic			
Item	Specify	Performance	
Center Freq.(Fo) +/- 0.5 %	1125 MHz	1125	MHz
Tunable Range:	1125±10 MHz	1125±10	MHz
Insertion Loss	Typ. 4.0 dB	3.35	dB
-3 dB Bandwidth	Typ. 26 MHz	31.5	MHz
Sensitivity (Attenuation)	Fo - 75 MHz	Typ. 23	dBc
	Fo + 75 MHz	Typ. 20	dBc
	Fo - () MHz	Typ.	dBc
	Fo + () MHz	Typ.	dBc
Return Loss	Min. 12 dB	40.3	dB
Ripple	< 1 dB		dB
Impedance	In / Out : 50 Ω	In / Out : 50 Ω	

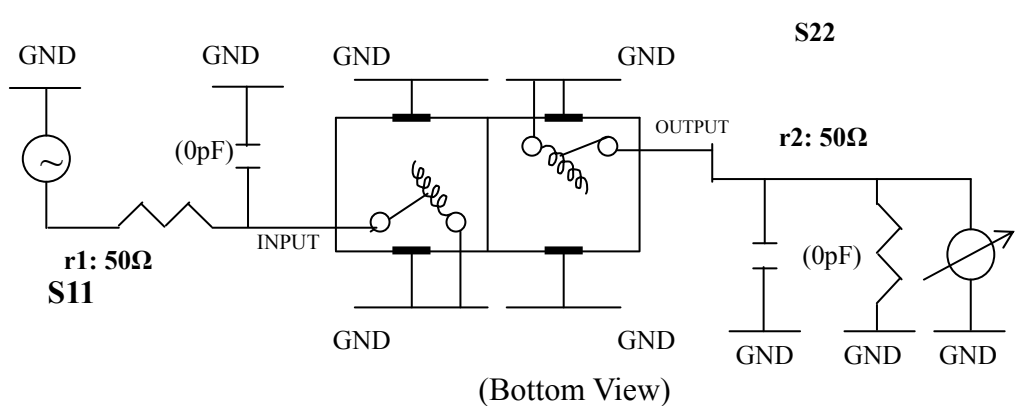
(4) Torque for Tuning Screw > 60gf · cm

(5) Temperature Condition:

Operating Temperature	0°C ~ +60°C
Storage Temperature	-20°C ~ +70°C

(6) Input Power > 0.5Watt

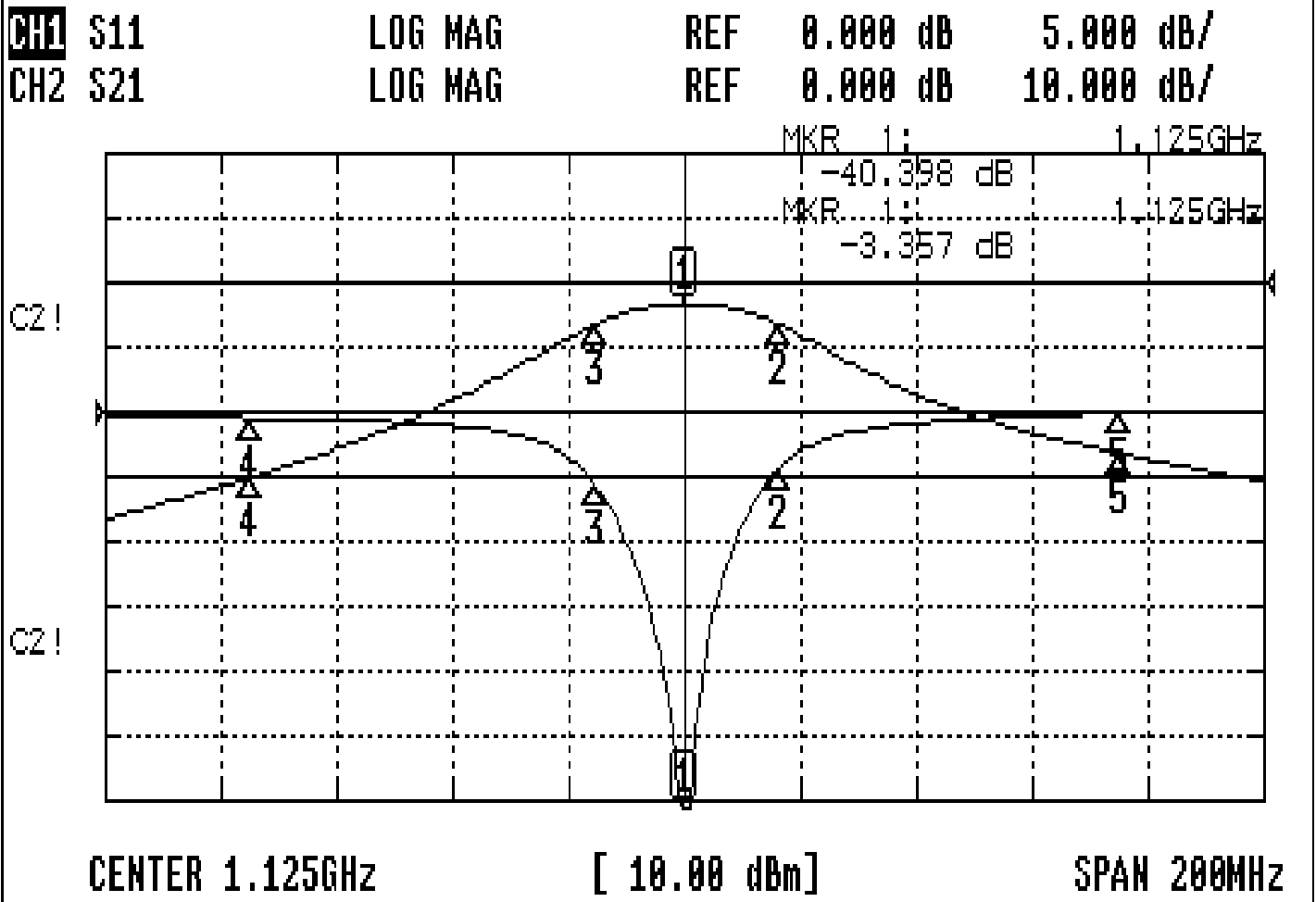
(7) Measuring Circuit: ※Easy to match Impedance 50Ω/ by parallel with about (0) pF.



Approval	Supervisor	Designer	Aperture size
C.Y. Chang	C.S. Chang	P.H. Chiang	5w2(3.8*4.0)(4.08) 5HW024RB3
TEMWELL CORPORATION			

Performance-TDW2686B-1125M

0602051DC



CH1 MARKER LIST

Marker	Freq (GHz)	Magnitude (dB)
1	1.125000	-40.398
2	1.141666	-4.420
3	1.109666	-5.596
4	1.050000	-0.464
5	1.200000	-0.060

CH2 MARKER LIST

Marker	Freq (GHz)	Magnitude (dB)
1	1.125000	-3.357
2	1.141666	-6.359
3	1.109666	-6.386
4	1.050000	-30.131
5	1.200000	-26.345