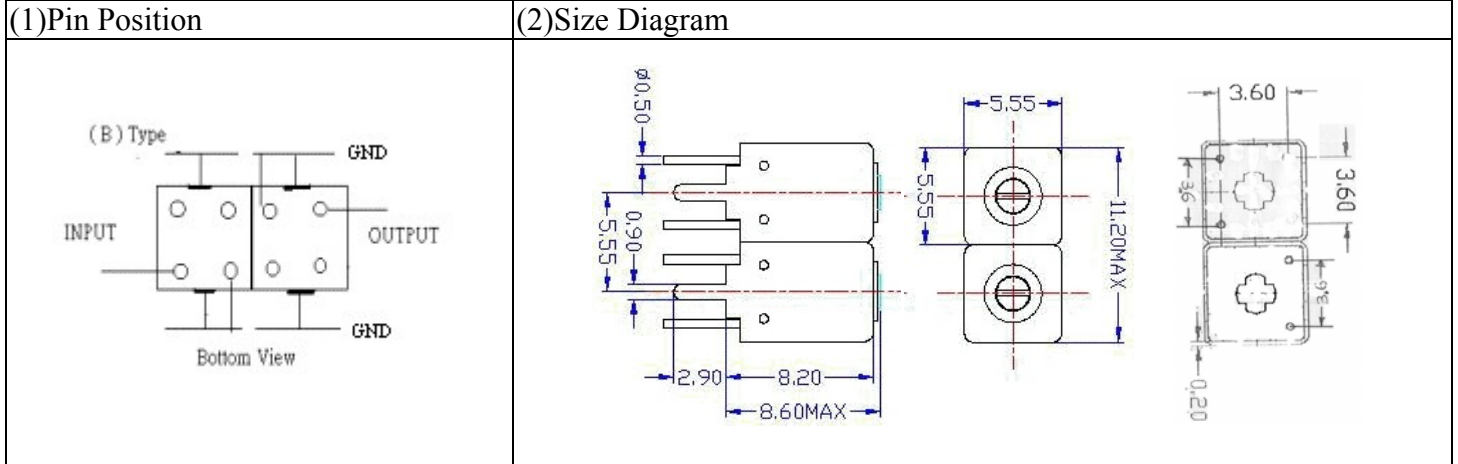


VHF UHF Helical Filter Specification Sheet

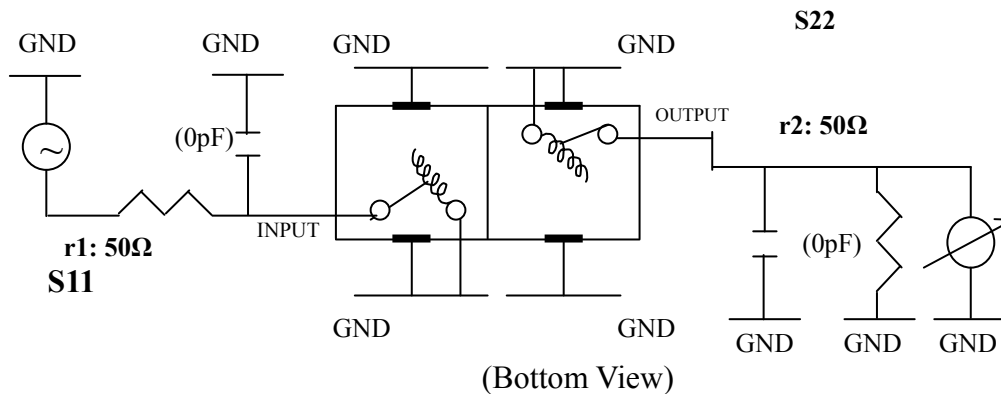
Customer Name		Temwell's Part No.	TDW2682B-825M
Approval No. /dated	0602047APR	Acceptable Specify Fo Range	801M~850M
Work Instruction No.	0602047DC	Date	Apr.17.2006



(3) Electric Character					
Item		Specify		Performance	
Center Freq.(Fo) +/- 0.5 %		825 MHz		825 MHz	
Tunable Range:		825±10 MHz		825±10 MHz	
Insertion Loss		Typ.	3.0 dB	1.92 dB	
-3 dB Bandwidth		Typ.	25 MHz	32..2 MHz	
Sensitivity (Attenuation)	Fo - 100 MHz	Typ.	42 dBc	45 dBc	
	Fo + 100 MHz	Typ.	26 dBc	29 dBc	
	Fo - ()MHz	Typ.	dBc	dBc	
	Fo +()MHz	Typ.	dBc	dBc	
Return Loss		Min.	12 dB	33.3 dB	
Ripple		< 1 dB		dB	
Impedance		In / Out : 50 Ω		In / Out : 50 Ω	
(4) Torque for Tuning Screw		> 60gf • cm			

(5) Temperature Condition:	
Operating Temperature	0°C ~ +60°C
Storage Temperature	-20°C ~ +70°C
(6) Input Power	> 0.5Watt

(7) Measuring Circuit: ※Easy to match Impedance 50Ω/ by parallel with about (0) pF.



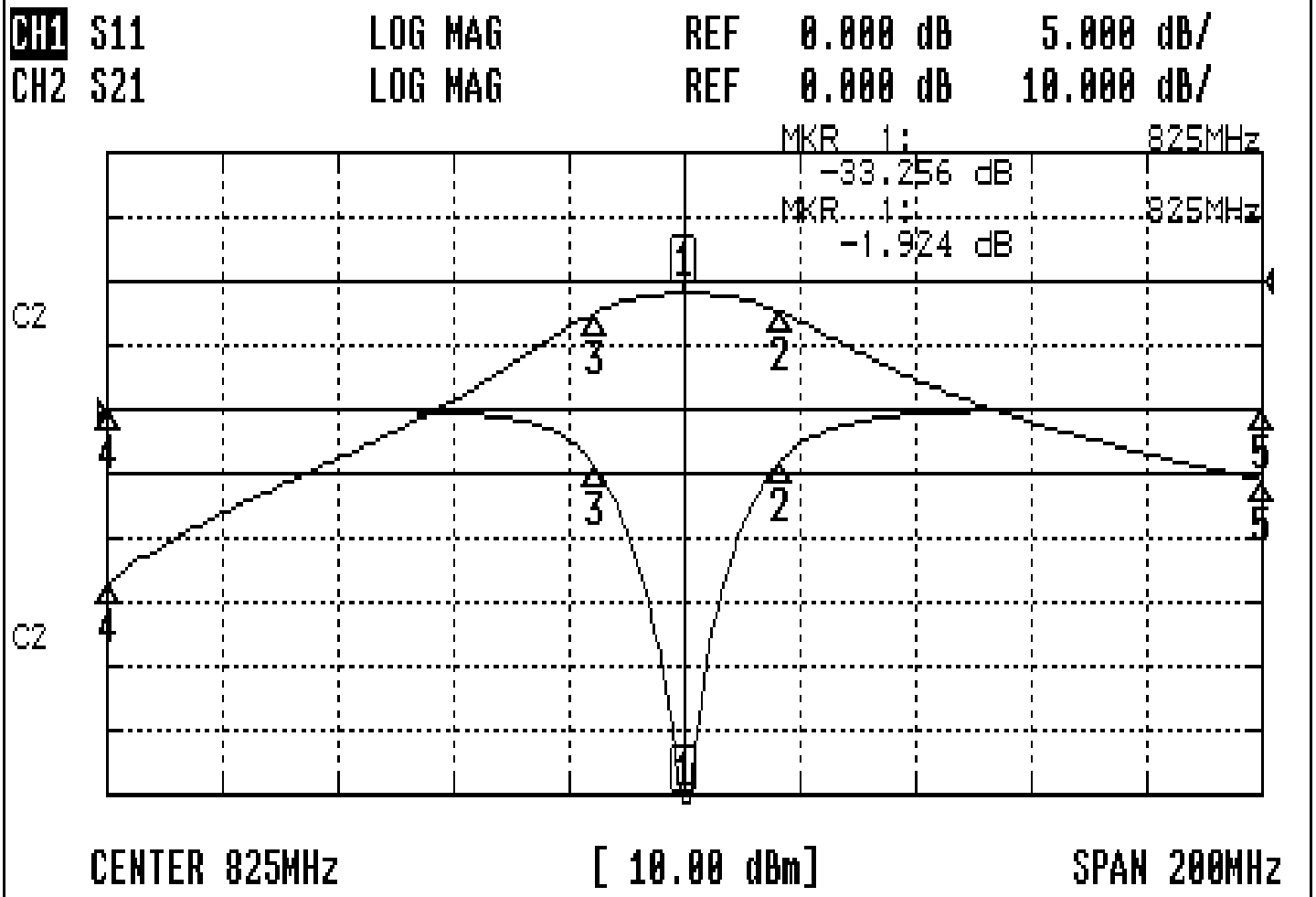
Approval	Supervisor	Designer	Aperture size
C.Y. Chang	C.S. Chang	C.S. Chang	5w2(3.8*4.5)(4.56) 5HW024RB3

TEMWELL CORPORATION

TEMWELL RP:C.S.Chang

Performance-TDW2682B-825M

0602047DC



CH1 MARKER LIST

1	825.000MHz	-33.3363	dB
2	841.833MHz	-3.9000	dB
3	809.666MHz	-4.4750	dB
4	725.000MHz	0.054	dB
5	925.000MHz	0.117	dB

CH2 MARKER LIST

1	825.000MHz	-1.924	dB
2	841.833MHz	-4.892	dB
3	809.666MHz	-4.801	dB
4	725.000MHz	-47.209	dB
5	925.000MHz	-31.081	dB