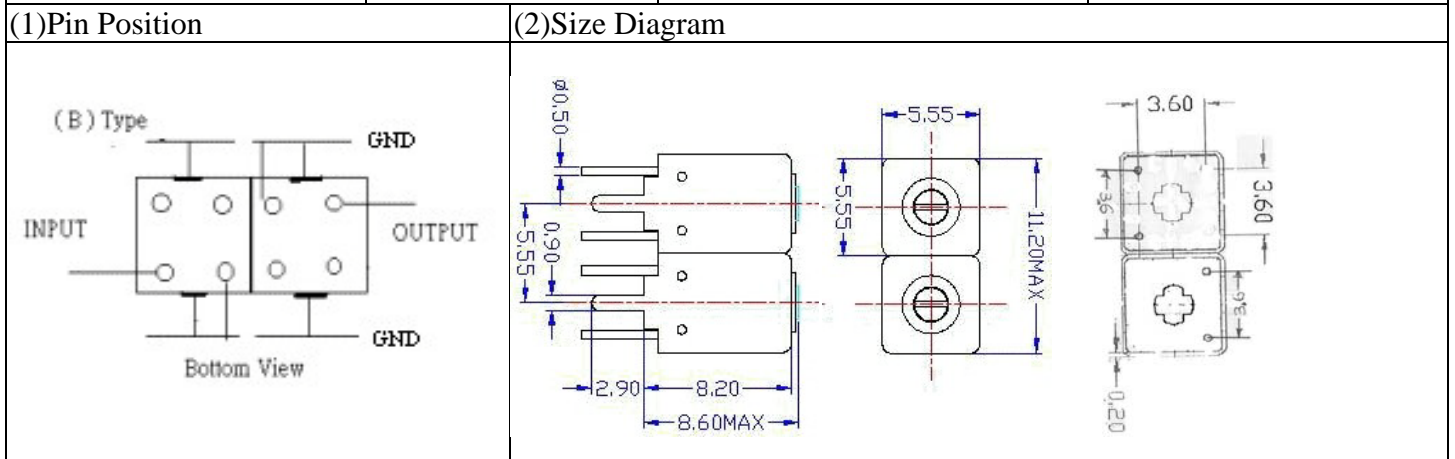


VHF UHF Helical Filter Specification Sheet

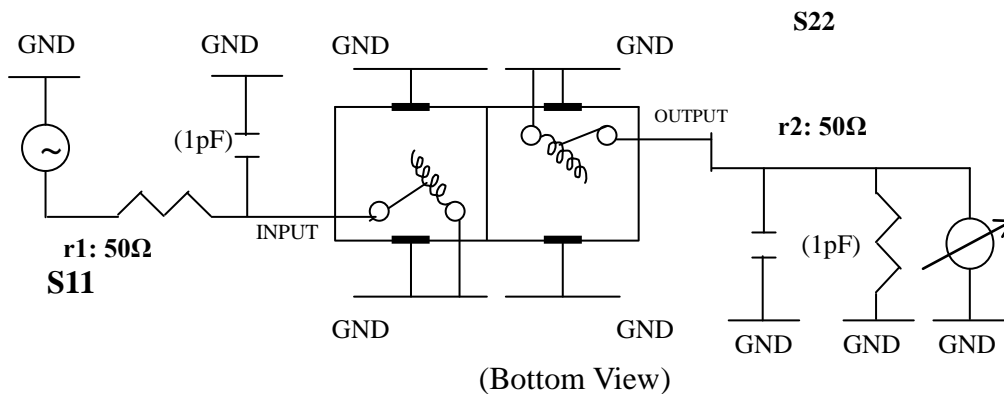
Customer Name		Temwell's Part No.	TDW2675B-325M
Approval No. /dated	0602040APR	Acceptable Specify Fo Range	301M~350M
Work Instruction No.	0602040DC	Date	Mar.28.2006



Item		Specify		Performance	
Center Freq.(Fo) +/- 0.5 %		325	MHz	325	MHz
Tunable Range:		325±4	MHz	325±4	MHz
Insertion Loss		Typ. 4.0	dB	3.25	dB
-3 dB Bandwidth		Typ. 20	MHz	27.0	MHz
Sensitivity (Attenuation)	Fo - 50 MHz	Typ. 16	dBc	19	dBc
	Fo + 50 MHz	Typ. 20	dBc	23	dBc
	Fo - ()MHz	Typ.	dBc		dBc
	Fo + ()MHz	Typ.	dBc		dBc
Return Loss		Min. 12	dB	19.1	dB
Ripple		< 1	dB		dB
Impedance		In / Out : 50 Ω		In / Out : 50 Ω	
(4) Torque for Tuning Screw		> 60gf · cm			

(5) Temperature Condition:	
Operating Temperature	0°C ~ +60°C
Storage Temperature	-20°C ~ +70°C
(6) Input Power	> 0.5Watt

(7) Measuring Circuit: ※ Easy to match Impedance 50Ω/ by parallel with about (1) pF.



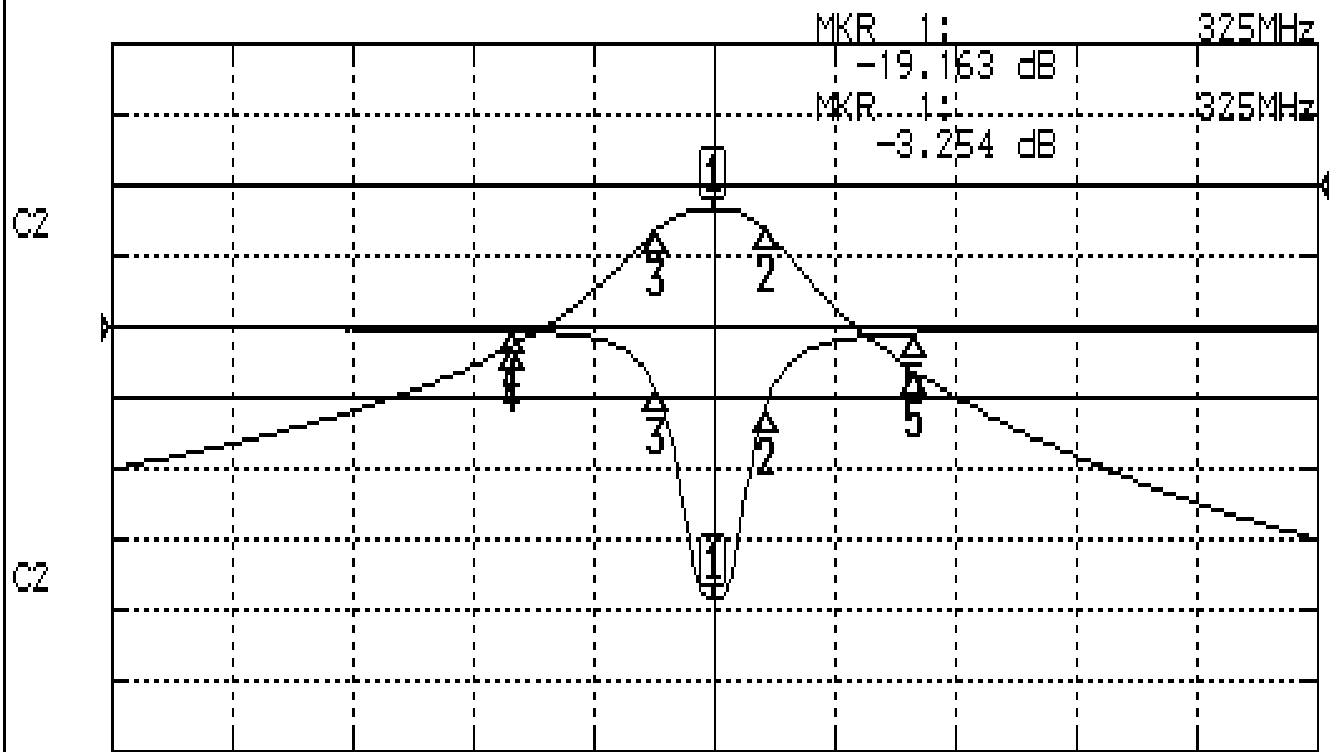
Approval	Supervisor	Designer	Aperture size
C.Y. Chang	C.S. Chang	P.H. Chiang	5w2(3.8*5.1)(5.13) 5HW00LB3
TEMWELL CORPORATION			

TEMWELL RP(P.H)

Performance-TDW2675B-325M

0602040DC

CH1 S11 LOG MAG REF 0.000 dB 5.000 dB/
CH2 S21 LOG MAG REF 0.000 dB 10.000 dB/



CENTER 325MHz

[10.00 dBm]

SPAN 300MHz

CH1 MARKER LIST

1:	325.000MHz	-19.163	dB
2:	337.750MHz	-5.862	dB
3:	310.750MHz	-4.527	dB
4:	275.000MHz	-0.290	dB
5:	375.000MHz	-0.443	dB

CH2 MARKER LIST

1:	325.000MHz	-3.251	dB
2:	337.750MHz	-6.288	dB
3:	310.750MHz	-6.341	dB
4:	275.000MHz	-22.597	dB
5:	375.000MHz	-26.396	dB