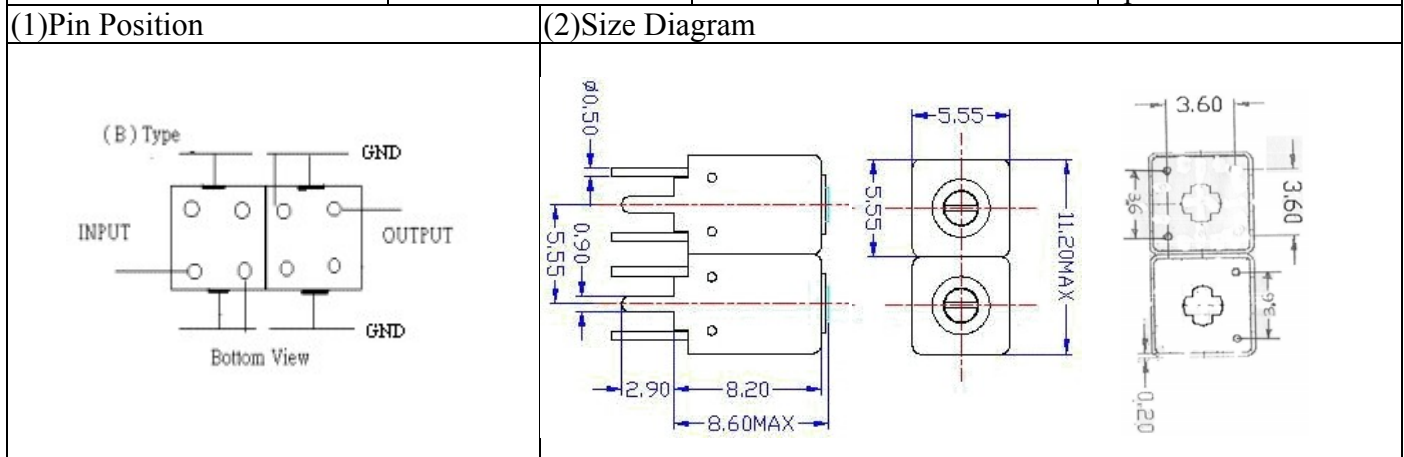


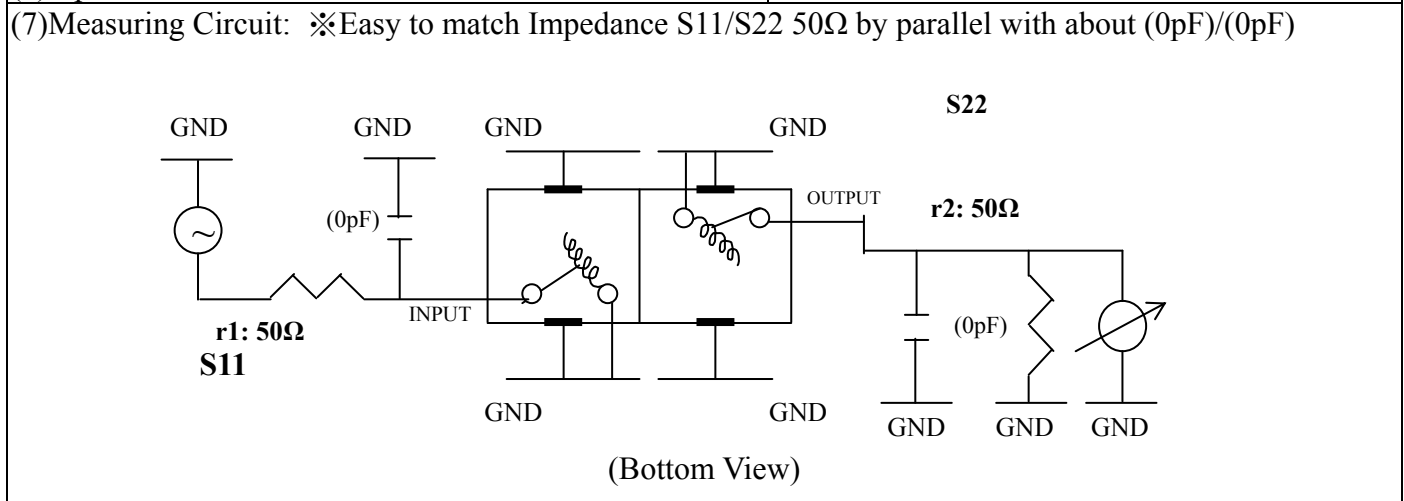
# VHF UHF Helical Filter Specification Sheet

Customer Name		Temwell's Part No.	TDW2654B-1125M
Approval No. /dated	0904019CD	Temwell's print Name.	2654B 1125M
Work Instruction No.	200904019CD	Date	Apr.23.2009



(3) Electric Characteristic			
Item	Specify	Performance	
Center Freq.(Fo) +/- 0.5 %	1125 MHz	1125	MHz
Tunable Range:	1125±3 MHz	1125±3	MHz
Insertion Loss	Typ. 4.0 dB	2.95	dB
-3 dB Bandwidth	Typ. 18 MHz	25.6	MHz
Sensitivity (Attenuation)	Fo - 50 MHz	Typ. 20	dBc
	Fo + 50 MHz	Typ. 17	dBc
	Fo - ( )MHz	Typ.	dBc
	Fo +( )MHz	Typ.	dBc
Return Loss	Min. 12 dB	28.2	dB
Ripple	< 1 dB		dB
Impedance	In / Out : 50 Ω	In / Out : 50 Ω	

(4) Torque for Tuning Screw	> 60gf · cm
(5) Temperature Condition:	
Operating Temperature	0°C ~ +60°C
Storage Temperature	-20°C ~ +70°C
(6) Input Power	> 0.5Watt

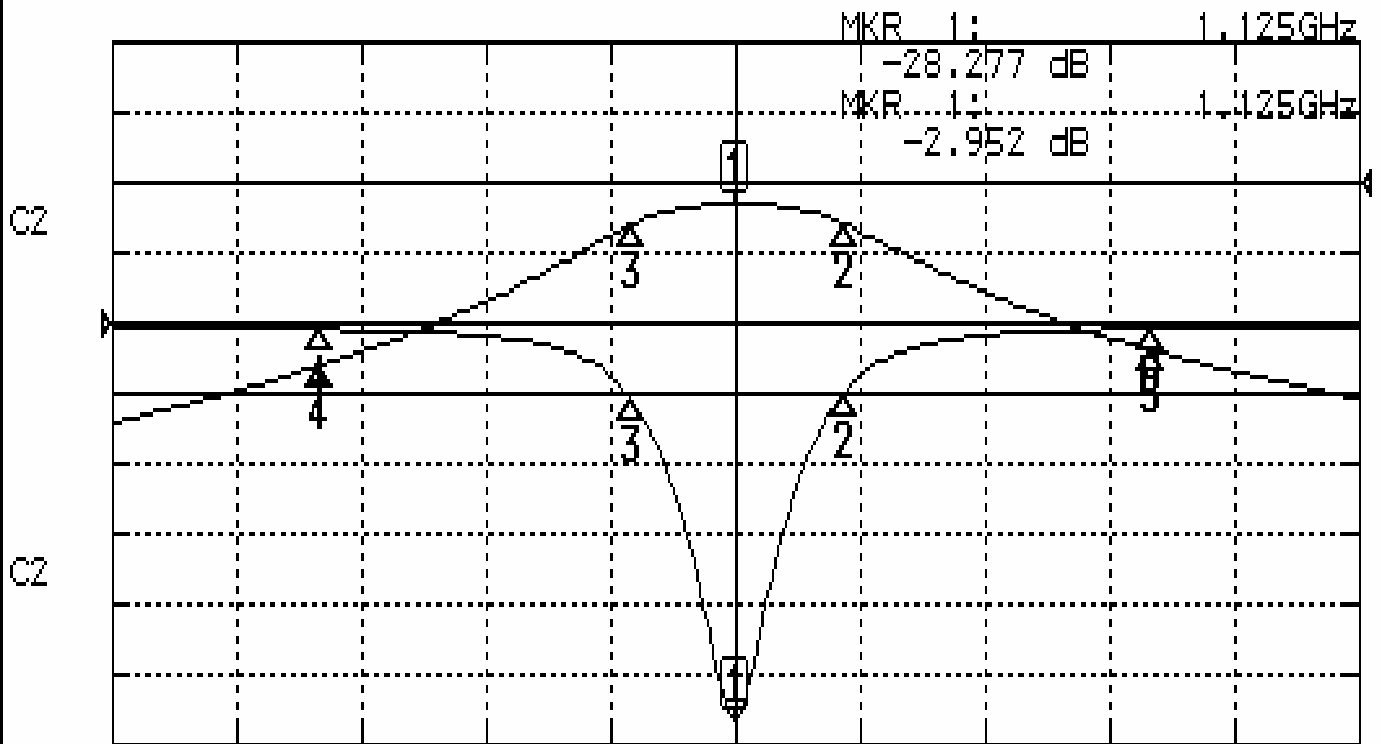


Approval C.Y.Chang	Supervisor C.K.Chang	Designer C.H.Yeh	Aperture size 5W2S(3.8*3.5)(3.59) 5HW024RB3
-----------------------	-------------------------	---------------------	---

# Performance-TDW2654B-1125M

## 200904019CD

**CH1** S11                      LOG MAG                      REF    0.000 dB            5.000 dB/  
**CH2** S21                      LOG MAG                      REF    0.000 dB            10.000 dB/



CENTER 1.125GHz

[ 10.00 dBm ]

SPAN 150MHz

### CH1 MARKER LIST

1:	1.125	000GHz	-28.277	dB
2:	1.138	125GHz	-4.900	dB
3:	1.112	500GHz	-5.361	dB
4:	1.075	000GHz	-0.416	dB
5:	1.175	000GHz	-0.380	dB

### CH2 MARKER LIST

1:	1.125	000GHz	-2.952	dB
2:	1.138	125GHz	-5.906	dB
3:	1.112	500GHz	-5.966	dB
4:	1.075	000GHz	-26.007	dB
5:	1.175	000GHz	-23.807	dB