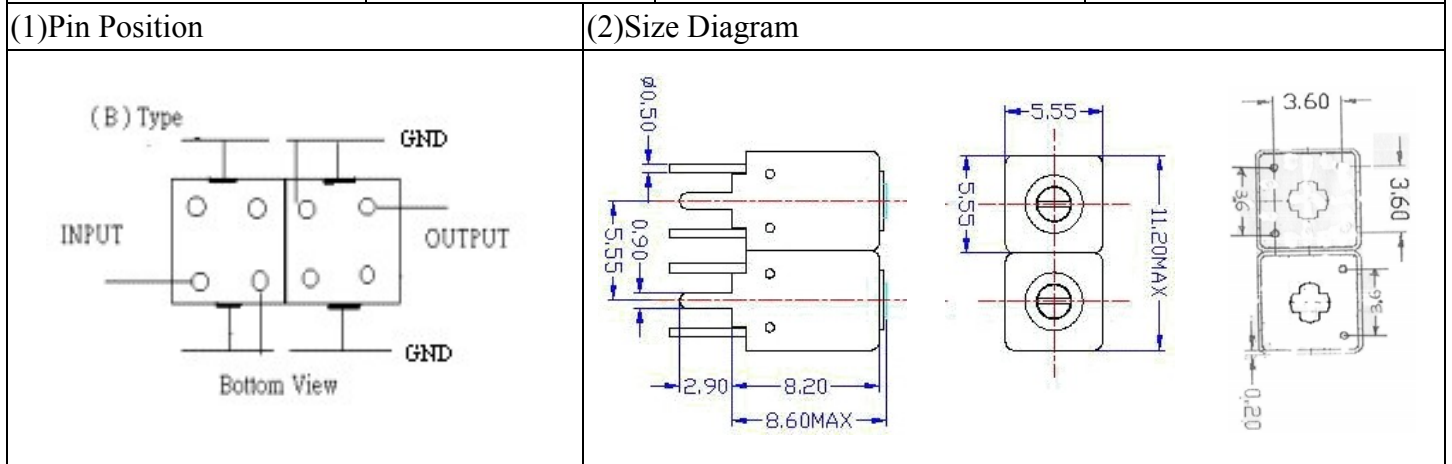


VHF UHF Helical Filter Specification Sheet

Customer Name		Temwell's Part No.	TDW2651B-825M
Approval No. /dated	0601062APR	Acceptable Specify Fo Range	801M~850MHz
Work Instruction No.	0601062DC	Date	Feb.10.2006



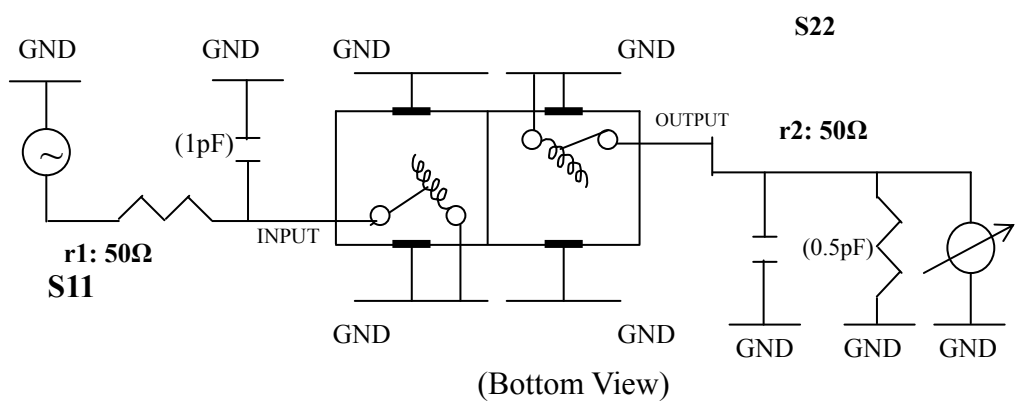
(3) Electric Character		Item	Specify	Performance
		Center Freq.(Fo) +/- 0.5 %	825 MHz	825 MHz
		Tunable Range:	825±10 MHz	825±10 MHz
		Insertion Loss	Typ. 3.5 Db	2.68 dB
		-3 dB Bandwidth	Typ. 20 MHz	24.3 MHz
Sensitivity (Attenuation)	Fo - 50 MHz	Typ. 23 dBc		26 dBc
	Fo + 50 MHz	Typ. 17 dBc		20 dBc
	Fo - ()MHz	Typ. dBc		dBc
	Fo + ()MHz	Typ. dBc		dBc
		Return Loss	Min. 12 dB	17.3 dB
		Ripple	< 1 dB	dB
		Impedance	In / Out : 50 Ω	In / Out : 50 Ω

(4) Torque for Tuning Screw > 60gf · cm

(5) Temperature Condition:
 Operating Temperature 0°C ~ +60°C
 Storage Temperature -20°C ~ +70°C

(6) Input Power > 0.5Watt

(7) Measuring Circuit: ※Easy to match Impedance 50Ω/ by parallel with about (0.5~1) pF.

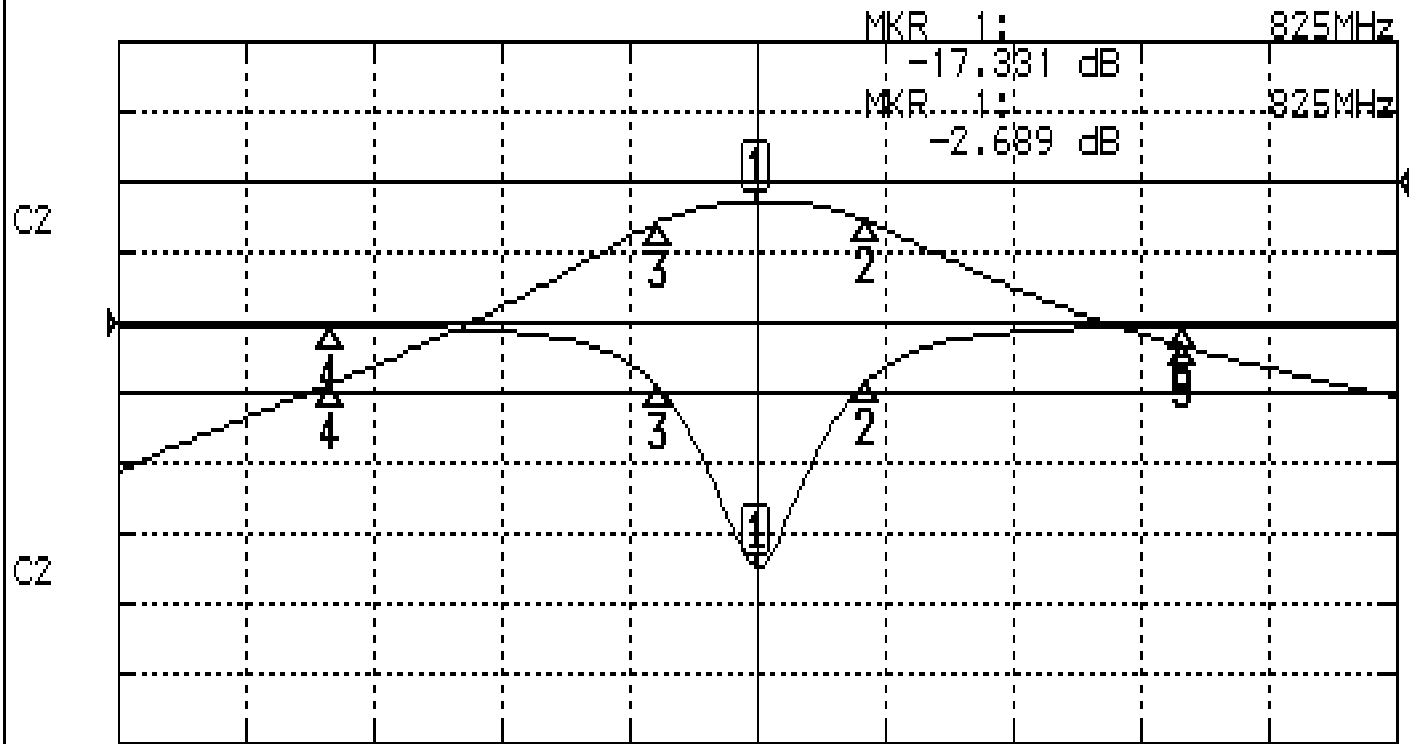


Approval	Supervisor	Designer	Aperture size
C.Y. Chang	C.S. Chang	P.H. Chiang	5w2(3.8*4.0)(4.07) 5HW024RB3
TEMWELL		CORPORATION	

Performance-TDW2651B-825M

0601062DC

CH1 S11 LOG MAG REF 0.000 dB 5.000 dB/
CH2 S21 LOG MAG REF 0.000 dB 10.000 dB/



CENTER 825MHz

[10.00 dBm]

SPAN 150MHz

CH1 MARKER LIST

1	825.000MHz	-17.331	dB
2	837.875MHz	-4.152	dB
3	813.500MHz	-4.673	dB
4	775.000MHz	-0.257	dB
5	875.000MHz	-0.249	dB

CH2 MARKER LIST

1	825.000MHz	-2.689	dB
2	837.875MHz	-1.617	dB
3	813.500MHz	-1.663	dB
4	775.000MHz	-2.000	dB
5	875.000MHz	-2.373	dB