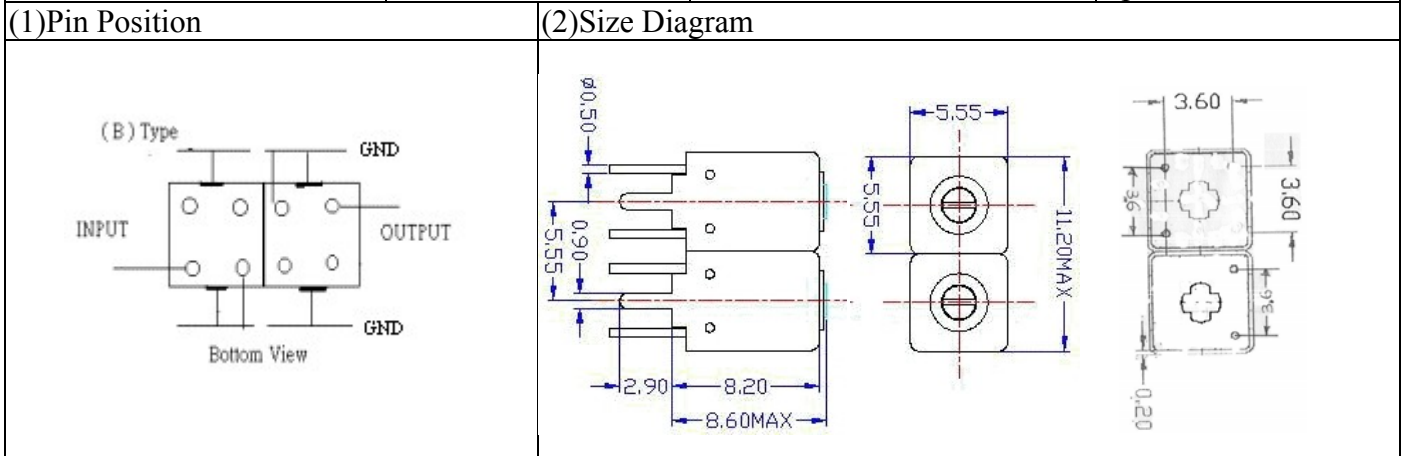


# VHF UHF Helical Filter Specification Sheet

Customer Name		Temwell's Part No.	TDW2646B-1175M
Approval No. /dated	0904021CD	Temwell's print Name.	2646B 1175M
Work Instruction No.	200904021CD	Date	Apr.29.2009



(3) Electric Characteristic

Item	Specify	Performance	
Center Freq.(Fo) +/- 0.5 %	1175 MHz	1175 MHz	
Tunable Range:	1175±3 MHz	1175±3 MHz	
Insertion Loss	Typ. 4.0 dB	3.25 dB	
-3 dB Bandwidth	Typ. 14 MHz	24.5 MHz	
Sensitivity (Attenuation)	Fo - 50 MHz	Typ. 21 dBc	23 dBc
	Fo + 50 MHz	Typ. 19 dBc	21 dBc
	Fo - ( )MHz	Typ. dBc	dBc
	Fo +( )MHz	Typ. dBc	dBc
Return Loss	Min. 12 dB	21.8 dB	
Ripple	< 1 dB	dB	
Impedance	In / Out : 50 Ω	In / Out : 50 Ω	

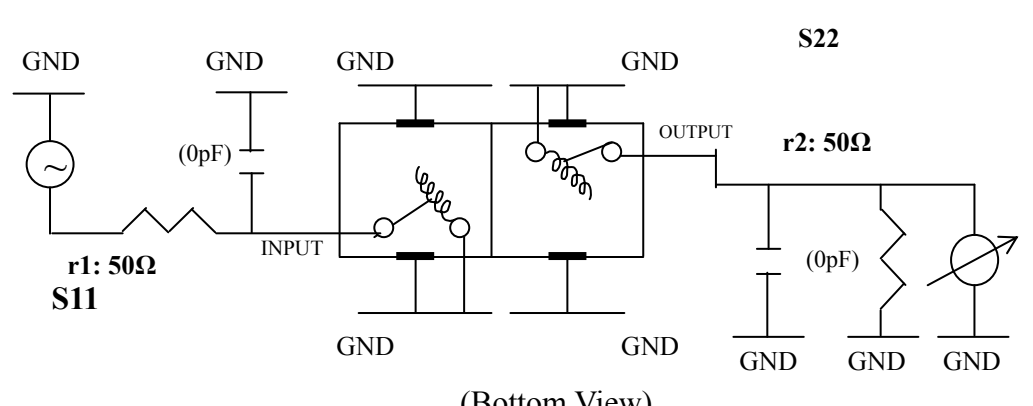
(4) Torque for Tuning Screw > 60gf · cm

(5) Temperature Condition:

Operating Temperature	0°C ~ +60°C
Storage Temperature	-20°C ~ +70°C

(6) Input Power > 0.5Watt

(7) Measuring Circuit: ※Easy to match Impedance S11/S22 50Ω by parallel with about (0pF)/(0pF)

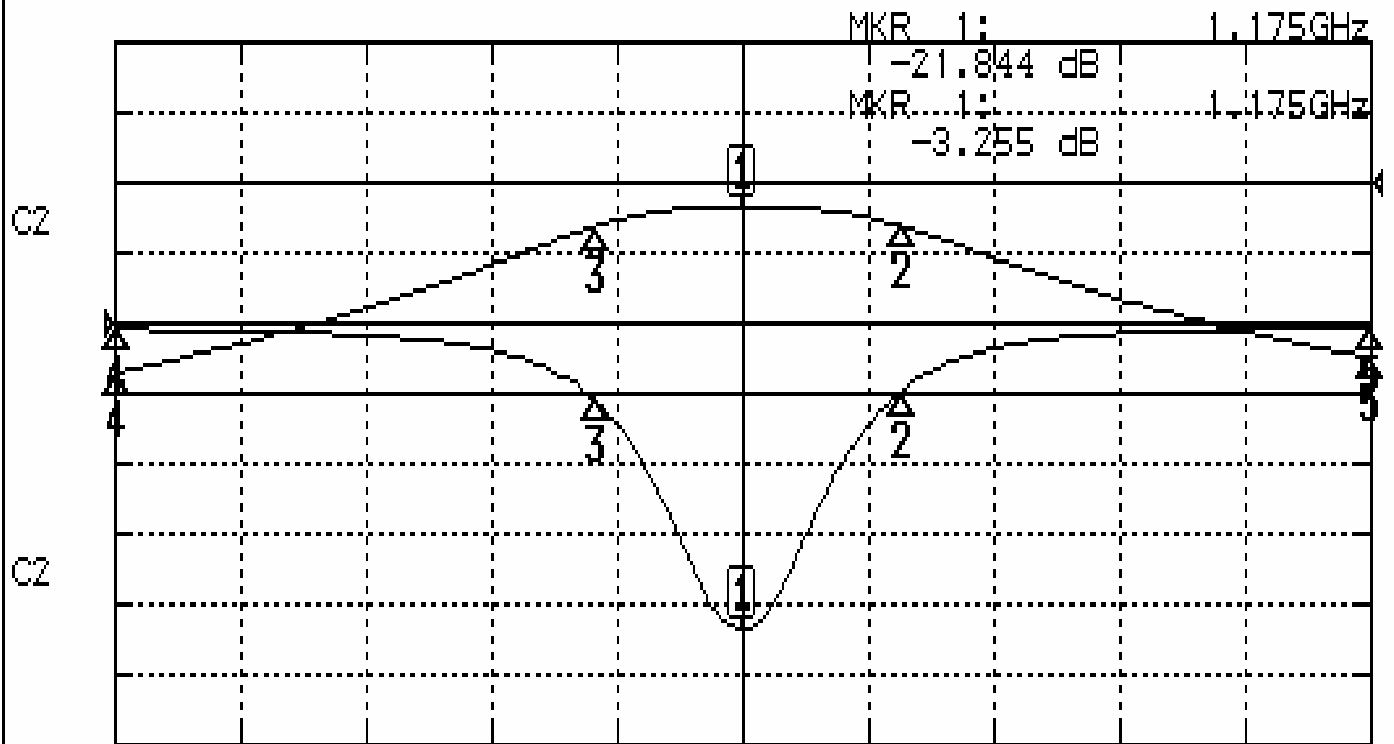


Approval C.Y.Chang	Supervisor C.K.Chang	Designer C.H.Yeh	Aperture size 5W2S(3.8*3.5)(3.59) 5HW024RB3
-----------------------	-------------------------	---------------------	---

# Performance-TDW2646B-1175M

## 200904021CD

CH1 S11 LOG MAG REF 0.000 dB 5.000 dB/  
CH2 S21 LOG MAG REF 0.000 dB 10.000 dB/



CENTER 1.175GHz

[ 10.00 dBm ]

SPAN 100MHz

### CH1 MARKER LIST

Marker	Freq (GHz)	Magnitude (dB)
1:	1.175 000GHz	-21.844 dB
2:	1.187 750GHz	-4.749 dB
3:	1.163 250GHz	-5.483 dB
4:	1.125 000GHz	-0.411 dB
5:	1.225 000GHz	-0.331 dB

### CH2 MARKER LIST

Marker	Freq (GHz)	Magnitude (dB)
1:	1.175 000GHz	-3.255 dB
2:	1.187 750GHz	-6.253 dB
3:	1.163 250GHz	-6.229 dB
4:	1.125 000GHz	-27.020 dB
5:	1.225 000GHz	-24.918 dB