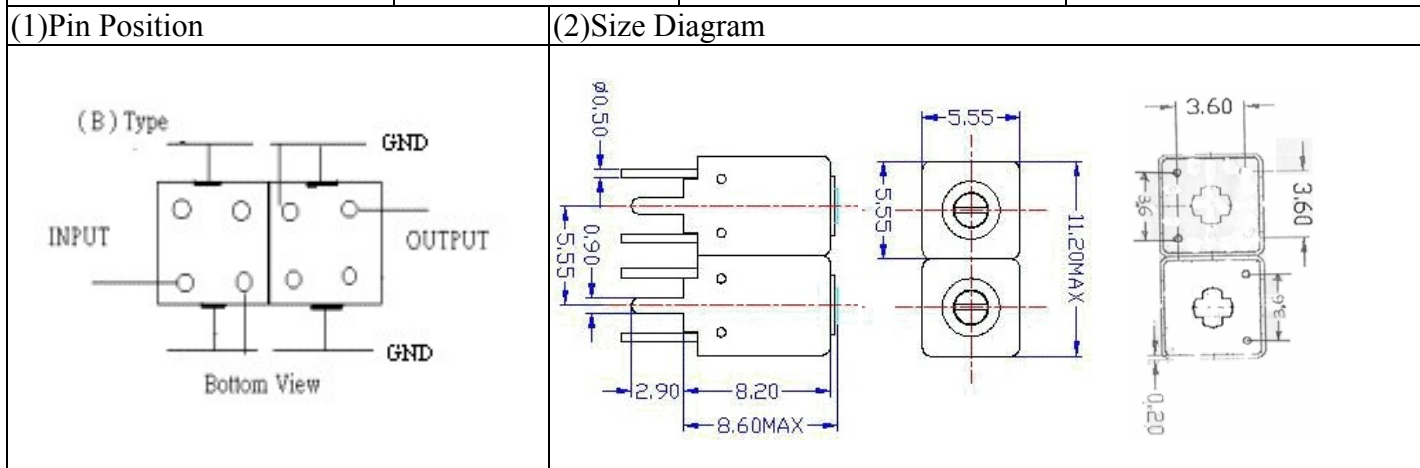


# VHF UHF Helical Filter Specification Sheet

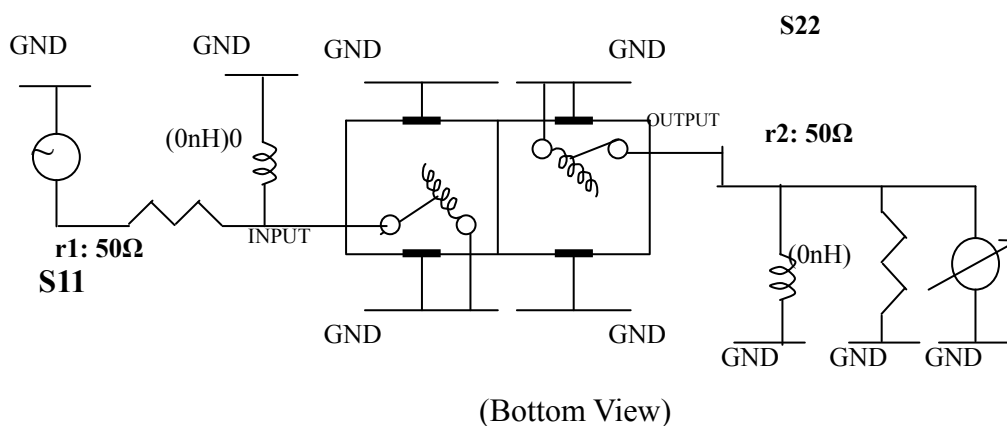
Customer Name		Temwell's Part No.	TDW2645B-1125M
Approval No. /dated	0904018CD	Temwell's Print name.	2645B 1125M
Work Instruction No.	200904018CD	Date	Jul.20.2009



(3) Electric Characteristic

Item	Specify	Performance	
Center Freq.(Fo) +/- 0.5 %	1125 MHz	1125 MHz	
Insertion Loss	Typ. 4.5 dB	3.94 dB	
-3 dB Bandwidth	Typ. 12 MHz	19.2 MHz	
Sensitivity (Attenuation)	Fo - 50 MHz	Typ. 23 dBc	27 dBc
	Fo + 50 MHz	Typ. 20 dBc	25 dBc
	Fo - ( )MHz	Typ. dBc	dBc
	Fo + ( )MHz	Typ. dBc	dBc
Return Loss	Min. 12 dB	26.5 dB	
Ripple	< 1 dB	dB	
Impedance	In / Out : 50 Ω	In / Out : 50 Ω	
(4) Torque for Tuning Screw	> 60gf • cm		
(5) Temperature Condition:			
Operating Temperature	0°C ~ +60°C		
Storage Temperature	-20°C ~ +70°C		
(6) Input Power	> 0.5Watt		

(7) Measuring Circuit: ※Easy to match Impedance S11/S22 50Ω/ by parallel with about ( 0 ) nH.

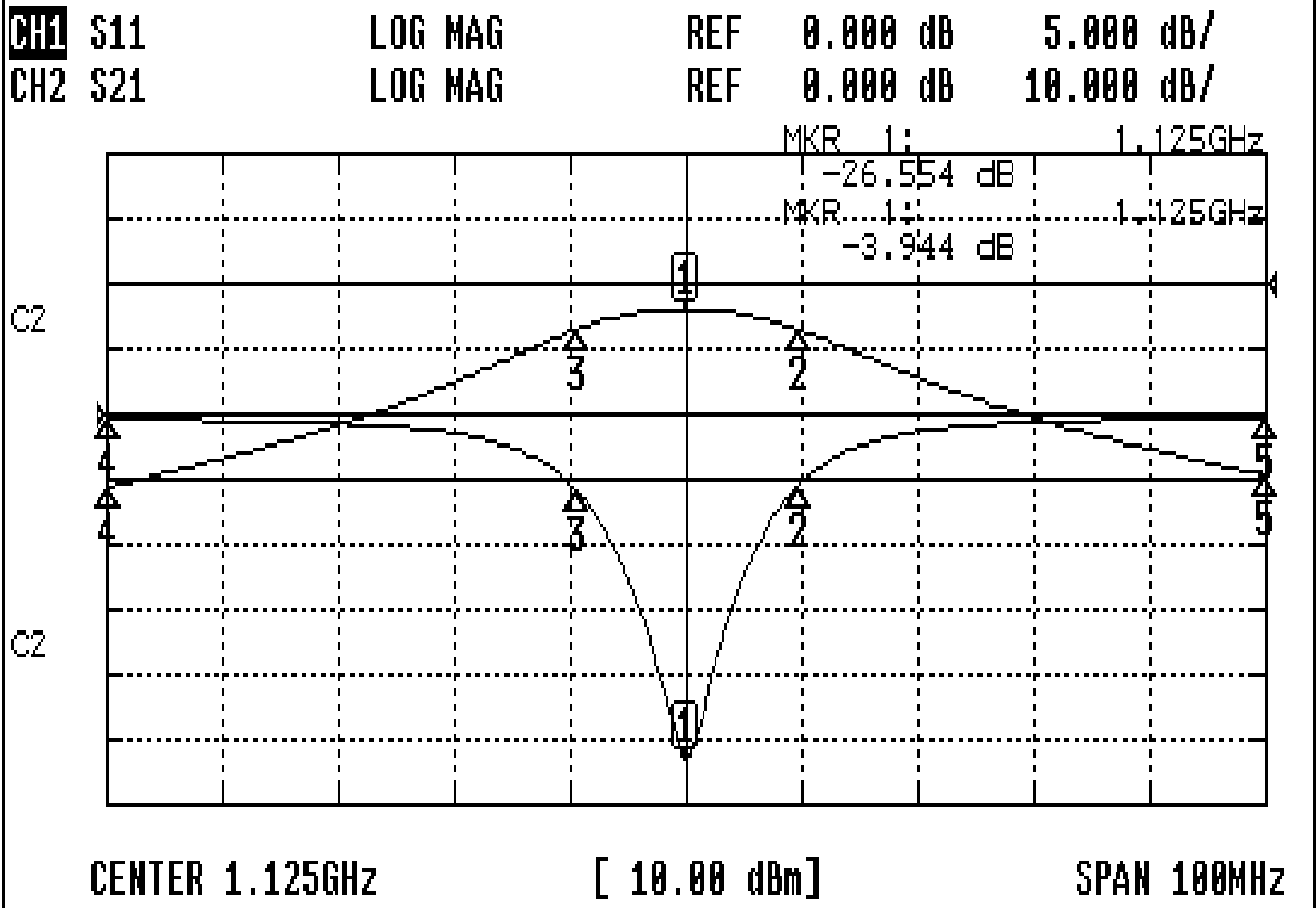


Approval C.Y.Chang	Supervisor C.K.Chang	Designer C.H.Yeh	Aperture size 5W2S(3.8*3.5)(3.57) 5HW024RB3
-----------------------	-------------------------	---------------------	---

TEMWELL CORPORATION

# Performance-TDW2645B-1125M

## 200904018CD



### CH1 MARKER LIST

Marker	Frequency (GHz)	Magnitude (dB)
1	1.125000	-26.554
2	1.134750	-16.455
3	1.115583	-15.000
4	1.075000	-10.302
5	1.175000	-0.289

### CH2 MARKER LIST

Marker	Frequency (GHz)	Magnitude (dB)
1	1.125000	-3.946
2	1.134750	-16.947
3	1.115583	-16.927
4	1.075000	-31.154
5	1.175000	-29.270