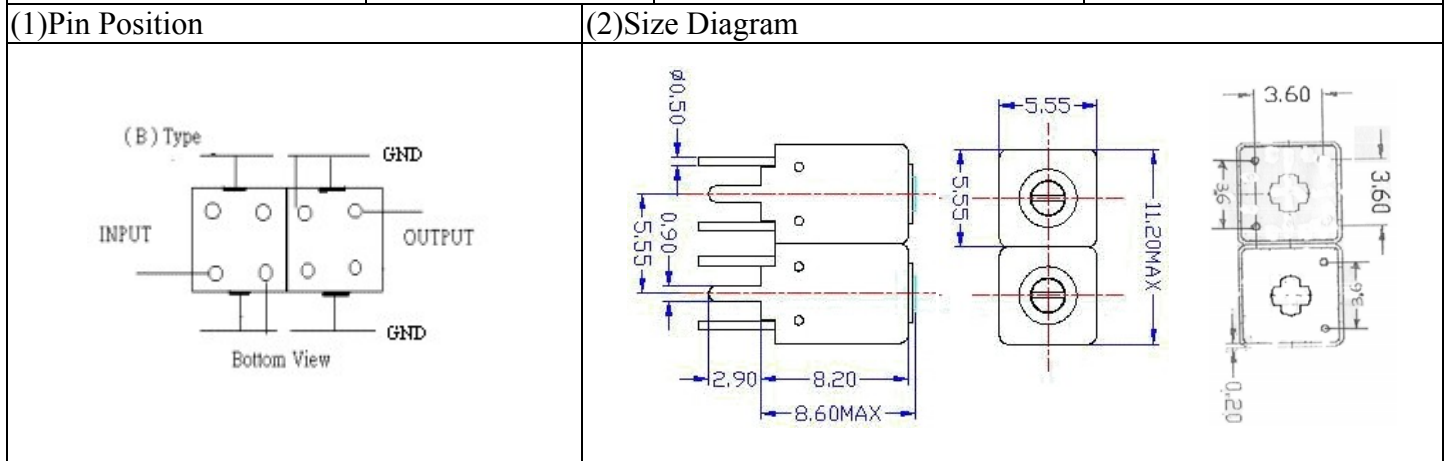


VHF UHF Helical Filter Specification Sheet

Customer Name		Temwell's Part No.	TDW2639B-675M
Approval No. /dated	0601051APR	Acceptable Specify Fo Range	651M-700M
Work Instruction No.	0601051DC	Date	Feb.10.2006



(3) Electric Character

Item	Specify	Performance	
Center Freq.(Fo) +/- 0.5 %	675 MHz	675 MHz	
Tunable Range:	675±5 MHz	675±5 MHz	
Insertion Loss	Typ. 7.5 dB	6.54 dB	
-3 dB Bandwidth	Typ. 8 MHz	13.4 MHz	
Sensitivity (Attenuation)	Fo - 50 MHz	Typ. 42 dBc	45 dBc
	Fo + 50 MHz	Typ. 27 dBc	30 dBc
	Fo - ()MHz	Typ. dBc	dBc
	Fo +()MHz	Typ. dBc	dBc
Return Loss	Min. 12 dB	26.2 dB	
Ripple	< 1 dB	dB	
Impedance	In / Out : 50 Ω	In / Out : 50 Ω	

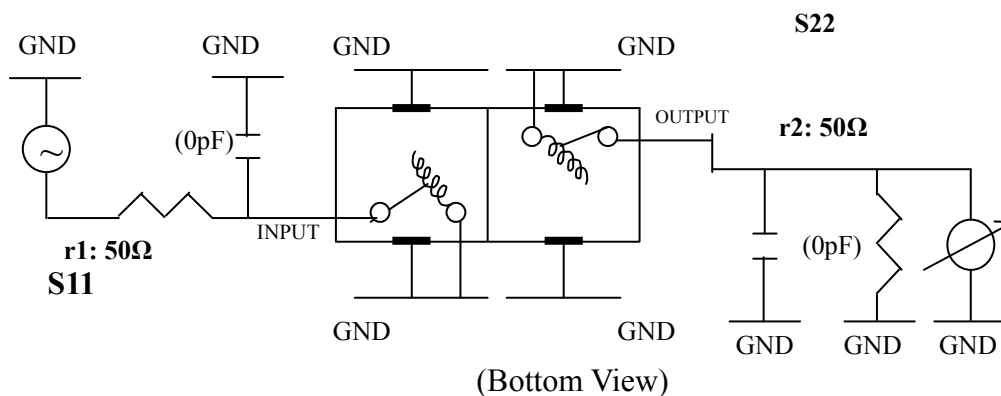
(4) Torque for Tuning Screw > 60gf · cm

(5) Temperature Condition:

Operating Temperature	0°C ~ +60°C
Storage Temperature	-20°C ~ +70°C

(6) Input Power > 0.5Watt

(7) Measuring Circuit: ※Easy to match Impedance 50Ω/ by parallel with about (0) pF.



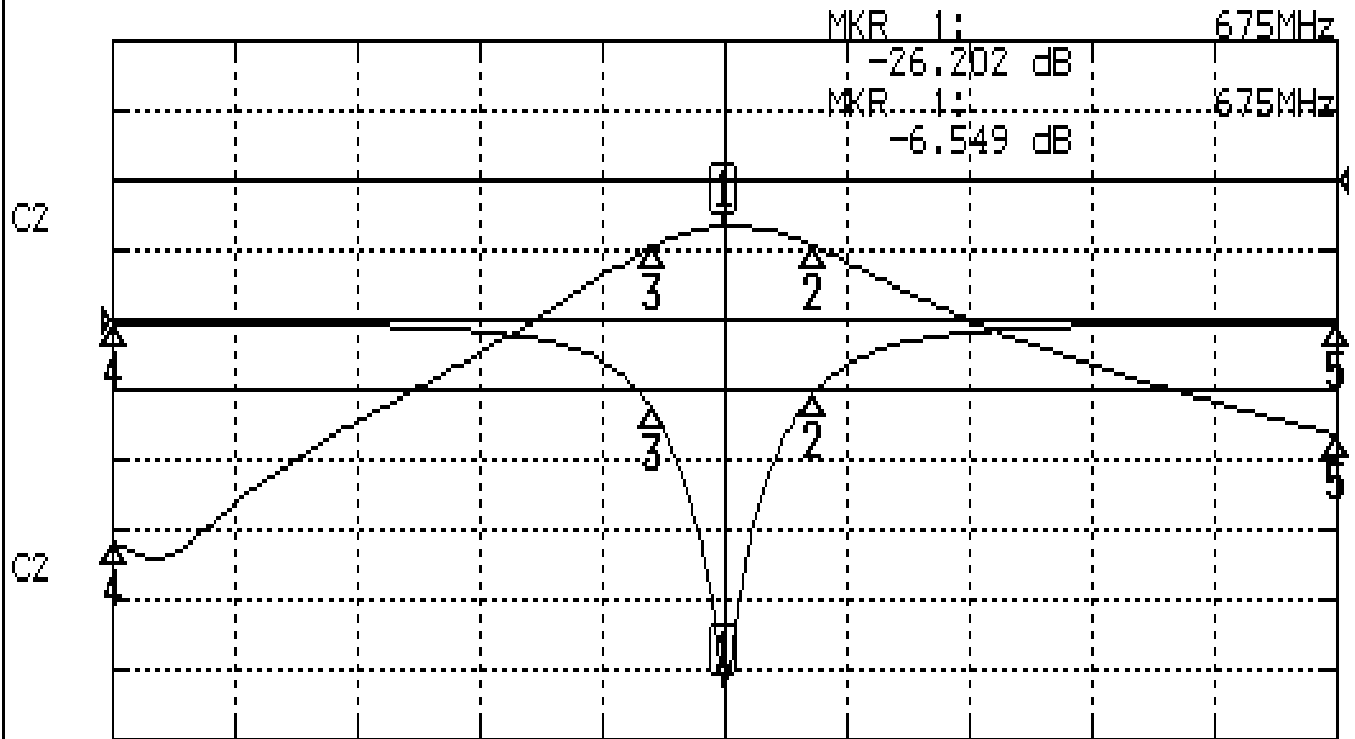
Approval	Supervisor	Designer	Aperture size
C.Y. Chang	C.S. Chang	C.S. Chang	5w2(3.8*3.5)(3.55) 5HW024RB3

TEMWELL CORPORATION

Performance-TDW2639B-675M

0601051DC

CH1 S11 LOG MAG REF 0.000 dB 5.000 dB/
CH2 S21 LOG MAG REF 0.000 dB 10.000 dB/



CENTER 675MHz

[10.00 dBm]

SPAN 100MHz

CH1 MARKER LIST

Marker	Frequency (MHz)	Magnitude (dB)
1:	675.000MHz	-26.202 dB
2:	682.416MHz	-5.139 dB
3:	669.000MHz	-6.293 dB
4:	625.000MHz	-0.155 dB
5:	725.000MHz	-0.154 dB

CH2 MARKER LIST

Marker	Frequency (MHz)	Magnitude (dB)
1:	675.000MHz	-6.549 dB
2:	682.416MHz	-1.931 dB
3:	669.000MHz	-1.962 dB
4:	625.000MHz	-1.000 dB
5:	725.000MHz	-36.561 dB