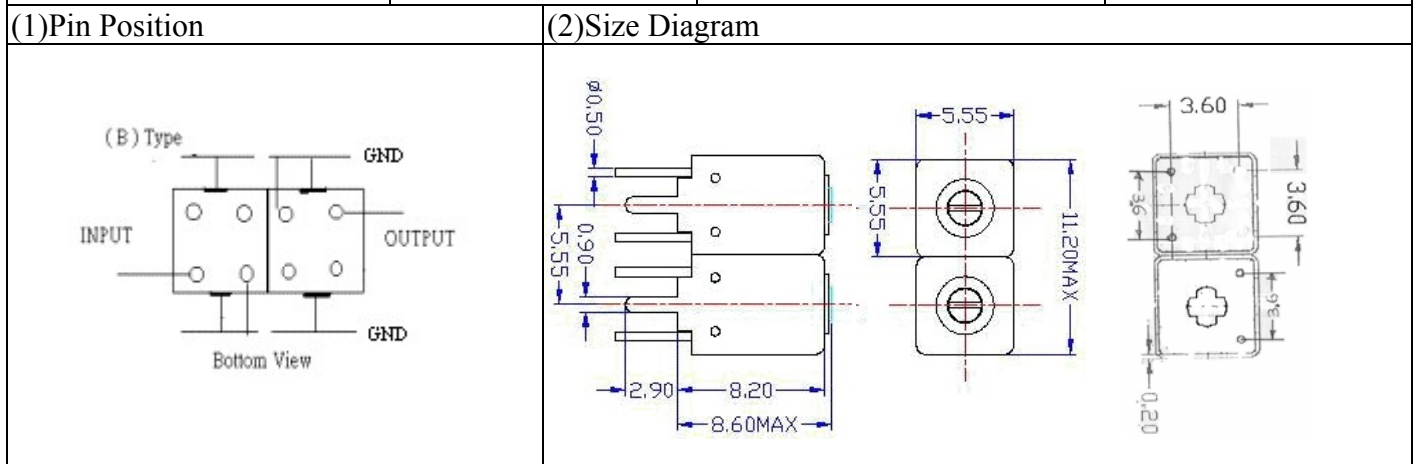


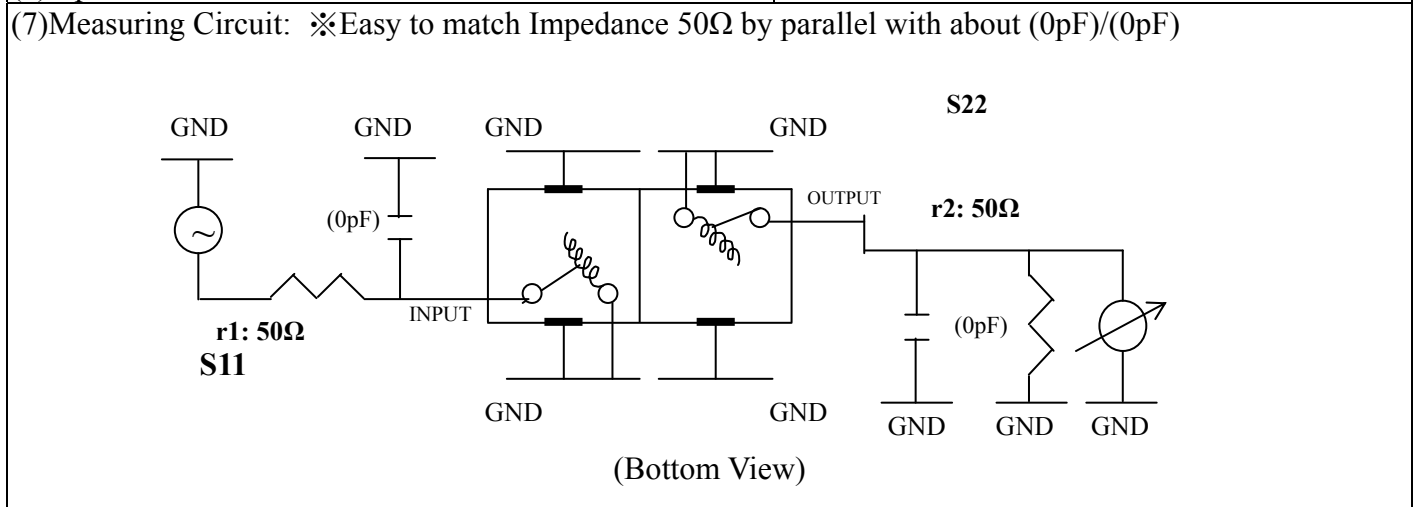
VHF UHF Helical Filter Specification Sheet

Customer Name		Temwell's Part No.	TDW2606B-2300M
Approval No. /dated	0406041DC	Temwell's print Name.	2606B 2300M
Work Instruction No.	20406041DC	Date	Feb.02.2009



(3) Electric Characteristic			
Item		Specify	Performance
Center Freq.(Fo) +/- 0.5 %		2300 MHz	2300 MHz
Tunable Range:		2300±5 MHz	2300±5 MHz
Insertion Loss		Typ. 2.5 dB	1.71 dB
-3 dB Bandwidth		Typ. 95 MHz	114.5 MHz
Sensitivity (Attenuation)	Fo - 200 MHz	Typ. 21 dBc	24 dBc
	Fo + 200 MHz	Typ. 15 dBc	18 dBc
	Fo - ()MHz	Typ. dBc	dBc
	Fo +()MHz	Typ. dBc	dBc
Return Loss		Min. 12 dB	28.1 dB
Ripple		< 1 dB	dB
Impedance		In / Out : 50 Ω	In / Out : 50 Ω
(4) Torque for Tuning Screw		> 60gf · cm	

(5) Temperature Condition:	
Operating Temperature	0°C ~ +60°C
Storage Temperature	-20°C ~ +70°C
(6) Input Power	> 0.5Watt



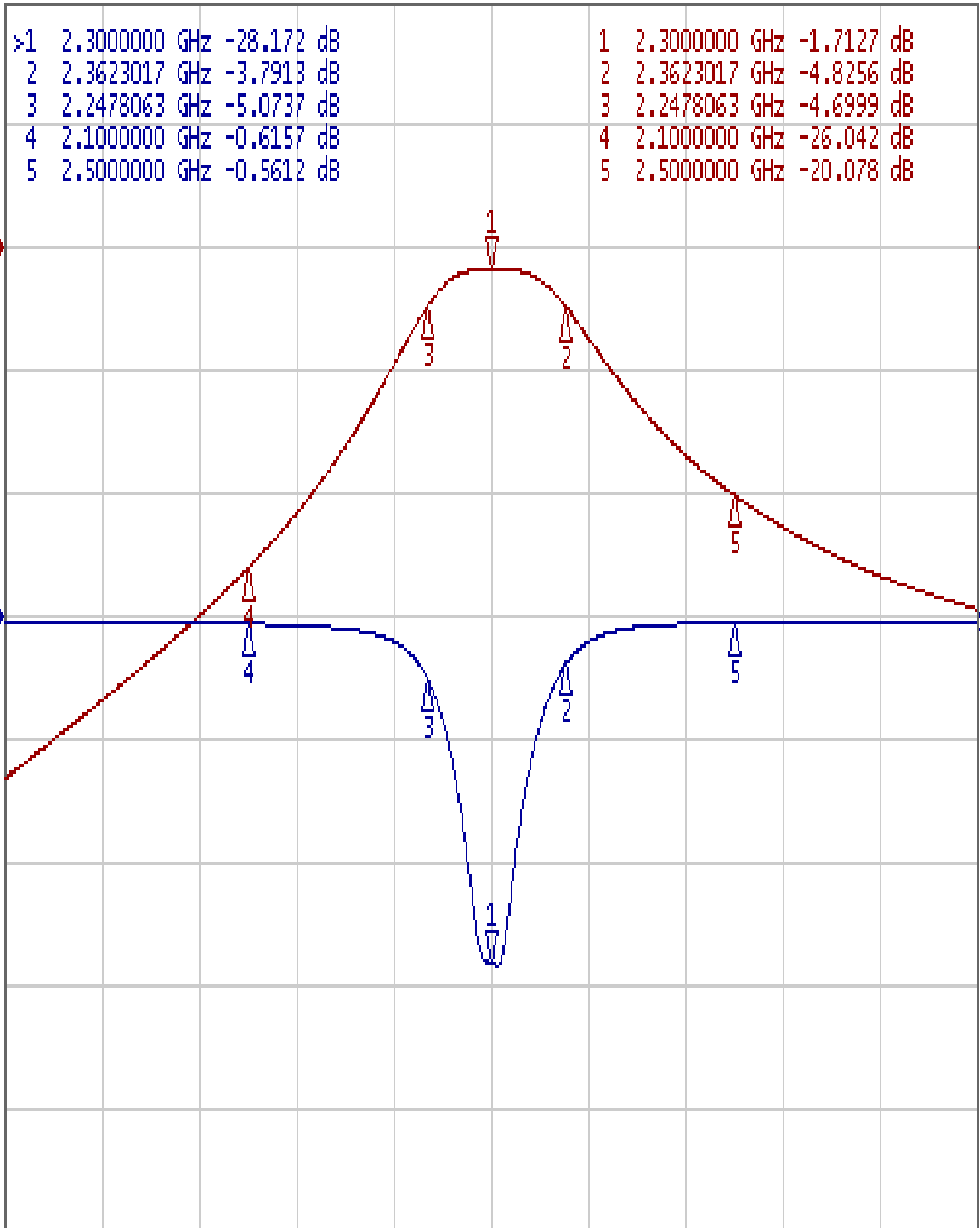
Approval C.Y.Chang	Supervisor C.K.Chang	Designer P.H.Chiang	Aperture size 5W2S(3.8*4.5)(4.55) 5HW046RB3.5
-----------------------	-------------------------	------------------------	---

TEMWELL CORPORATION

Performance-TDW2606B-2300M

20406041DC

▶ Tr1 S11 Log Mag 10.00dB/ Ref 0.000dB [F2]
Tr2 S21 Log Mag 10.00dB/ Ref 0.000dB [F2]



1 Center 2.3 GHz

IFBW 10 kHz

Span 800 MHz Cor !