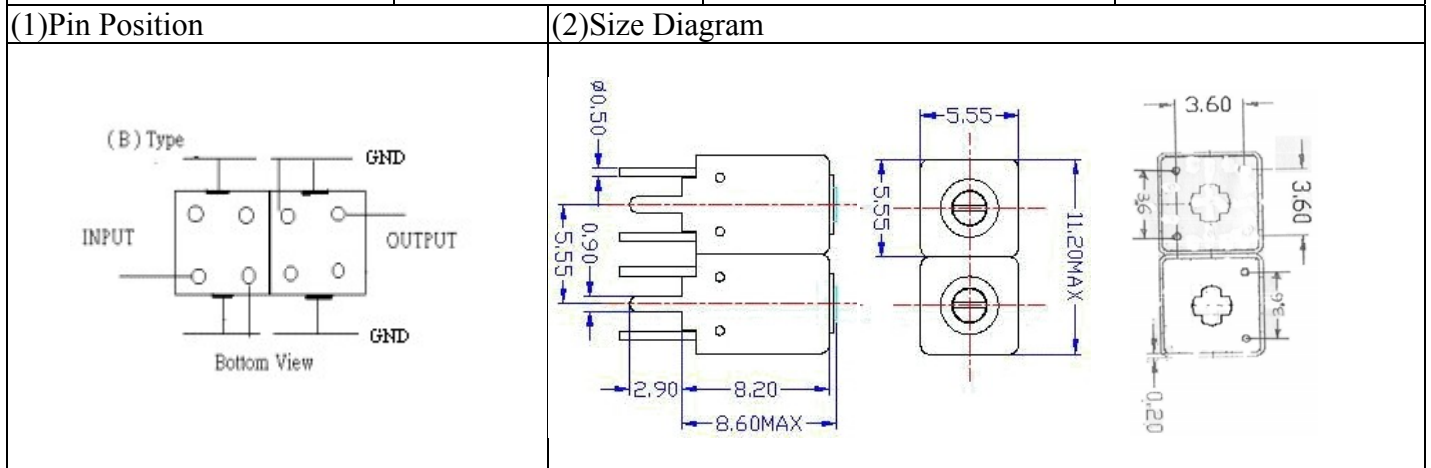


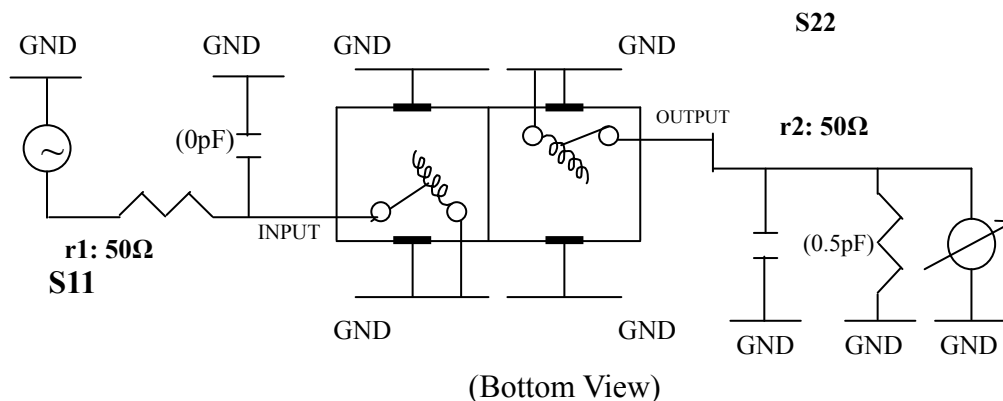
VHF UHF Helical Filter Specification Sheet

Customer Name		Temwell's Part No.	TDW2602B-2200M
Approval No. /dated	20406021APR	Acceptable Specify Fo Range	2151~2200 MHz
Work Instruction No.	20406021DB	Date	Oct.12.2006



(3) Electric Characteristic			
Item	Specify	Performance	
Center Freq.(Fo) +/- 0.5 %	2200 MHz	2200	MHz
Tunable Range:	2200±5 MHz	2200±5	MHz
Insertion Loss	Typ. 3.0 dB	2.06	dB
-3 dB Bandwidth	Typ. 90 MHz	108.5	MHz
Sensitivity (Attenuation)	Fo - 400 MHz	Typ. 44	dBc
	Fo + 400 MHz	Typ. 26	dBc
	Fo - ()MHz	Typ.	dBc
	Fo + ()MHz	Typ.	dBc
Return Loss	Min. 12 dB	20.4	dB
Ripple	< 1 dB		dB
Impedance	In / Out : 50 Ω	In / Out : 50 Ω	
(4) Torque for Tuning Screw			
		> 60gf · cm	
(5) Temperature Condition:			
Operating Temperature	0°C ~ +60°C		
Storage Temperature	-20°C ~ +70°C		
(6) Input Power			
		> 0.5Watt	

(7) Measuring Circuit: ※Easy to match Impedance 50Ω/ by parallel with about (0) pF.(0.5)pF

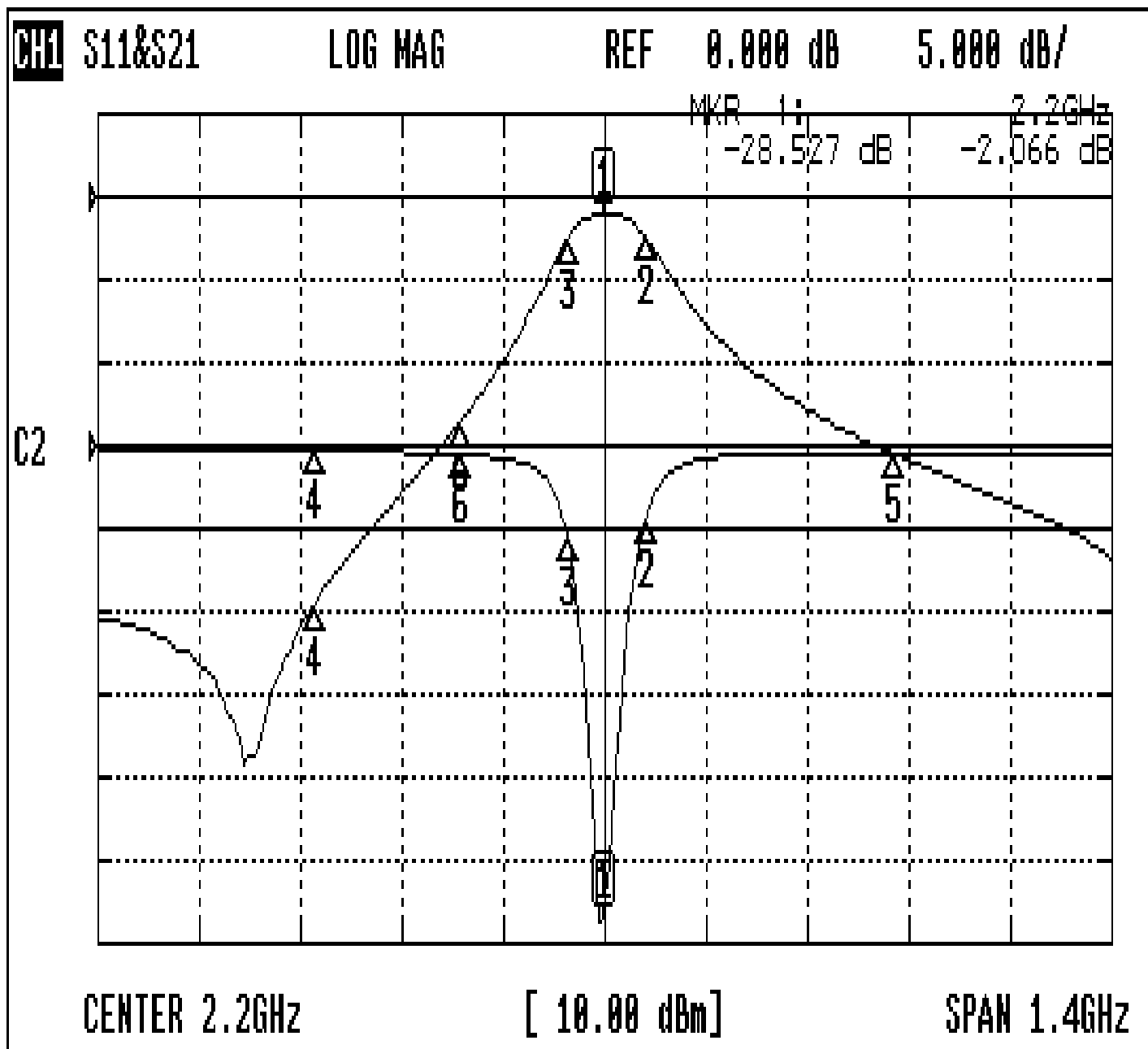


Approval	Supervisor	Designer	Aperture size
C.Y.Chang	C.S.Chang	W.W.Wang	5w2(3.8*4.5)(4.56) 5HW046RB3.2

TEMWELL CORPORATION

Performance-TDW2602B-2200M

20406021DB



CH1 MARKER LIST

1:	2.200 000GHz	-28.527 dB	-2.066 dB
2:	2.258 333GHz	-4.324 dB	-5.036 dB
3:	2.149 833GHz	-5.550 dB	-4.970 dB
4:	1.800 000GHz	-0.313 dB	-49.032 dB
5:	2.600 000GHz	-0.491 dB	-31.019 dB
6:	2.000 000GHz	-0.506 dB	-27.238 dB