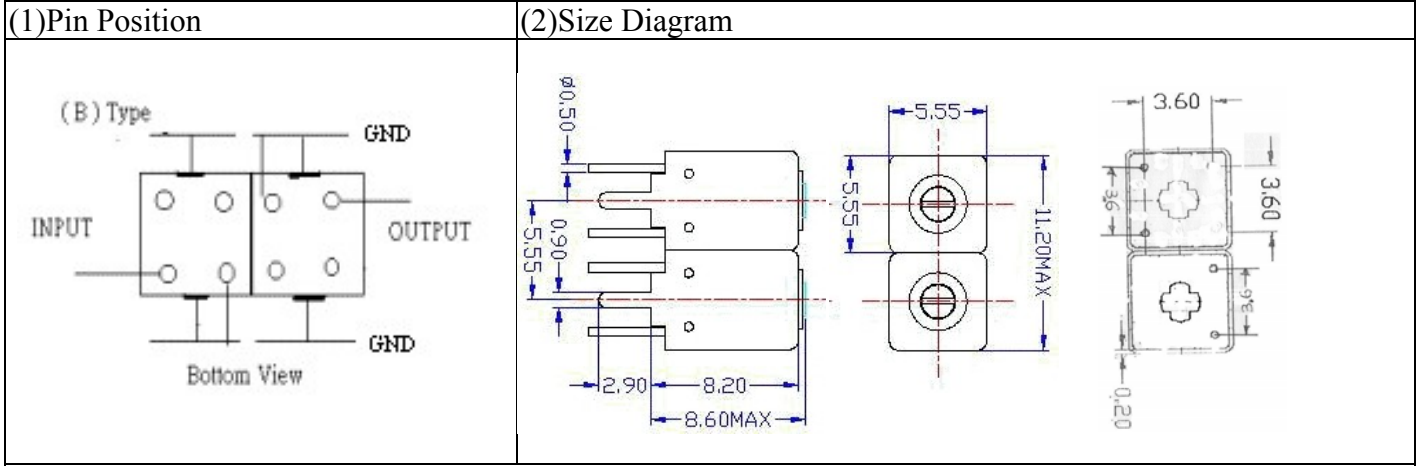


# VHF UHF Helical Filter Specification Sheet

Customer Name		Temwell's Part No.	TDW2600B-1675M
Approval No. /dated	20506055APR	Acceptable Specify Fo. Range	1651~1700MHz
Work Instruction No.	20506055B	Date	Jun.30.2005



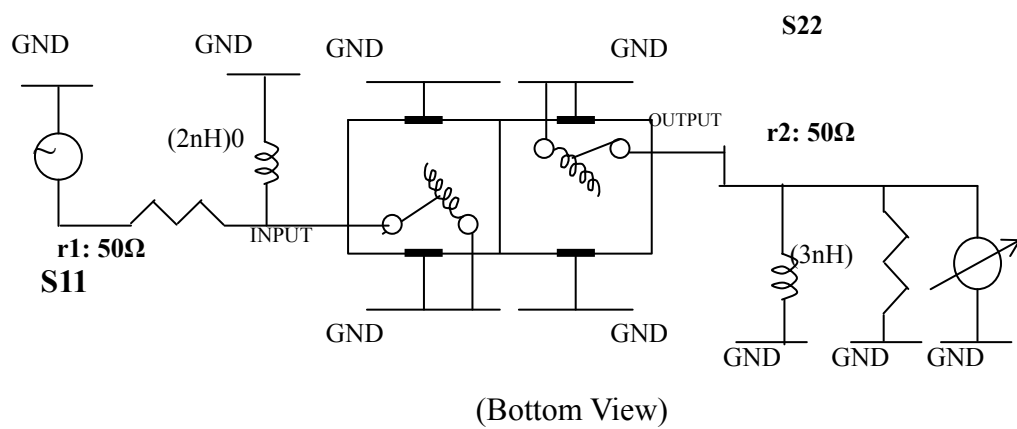
(3) Electric Character			
Item	Specify	Performance	
Center Freq.(Fo) +/- 0.5 %	1675 MHz	1675 MHz	
Tunable Range:	1675±5 MHz	1675±5 MHz	
Insertion Loss	Typ. 4.0 dB	2.96 dB	
-3 dB Bandwidth	Typ.. 46 MHz	54.3 MHz	
Sensitivity (Attenuation)	Fo - 100 MHz	Typ. 20 dBc	23 dBc
	Fo + 100 MHz	Typ. 18 dBc	21 dBc
	Fo - ( )MHz	Typ. dBc	dBc
	Fo + ( )MHz	Typ. dBc	dBc
Return Loss	Min. 12 dB	17.8 dB	
Ripple	< 1 dB	dB	
Impedance	In / Out : 50 Ω	In / Out : 50 Ω	

(4) Torque for Tuning Screw > 60gf · cm

(5) Temperature Condition:	
Operating Temperature	0°C ~ +60°C
Storage Temperature	-20°C ~ +70°C

(6) Input Power > 0.5Watt

(7) Measuring Circuit: ※Easy to match Impedance 50Ω by parallel with about ( 2-3 ) nH.

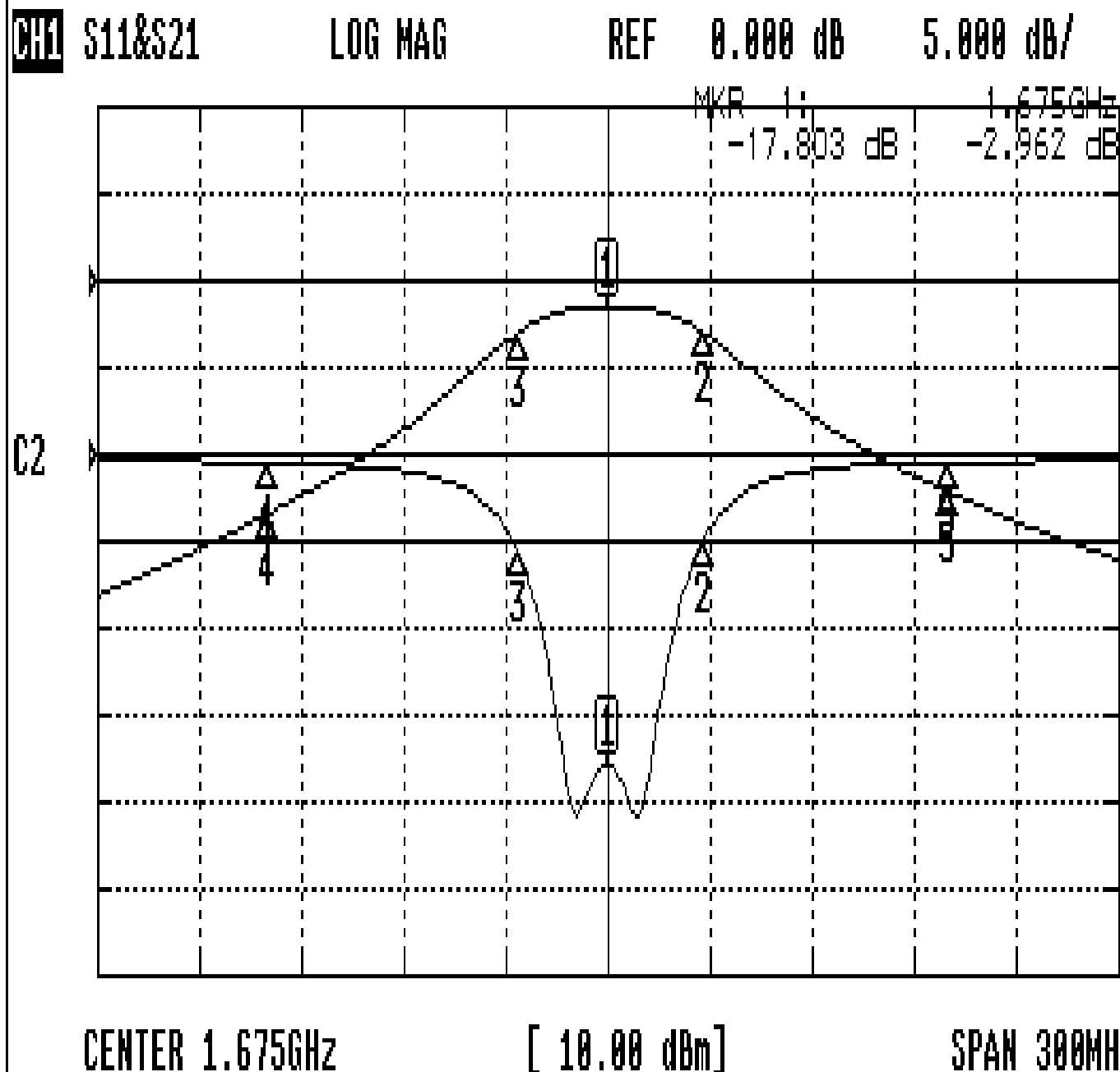


Approval	Supervisor	Designer	Aperture size
C.Y. Chang	C.S. Chang	P.H. Chiang	5W2, 3.8*3.7(3.79) 5HW024RB3

TEMWELL CORPORATION

# Performance-TDW2600B-1675M

## 20506055B



### CH1 MARKER LIST

1:	1.675 000GHz	-17.803 dB	-2.962 dB
2:	1.703 000GHz	-5.055 dB	-5.918 dB
3:	1.648 750GHz	-5.691 dB	-5.922 dB
4:	1.575 000GHz	-0.461 dB	-26.813 dB
5:	1.775 000GHz	-0.452 dB	-24.339 dB