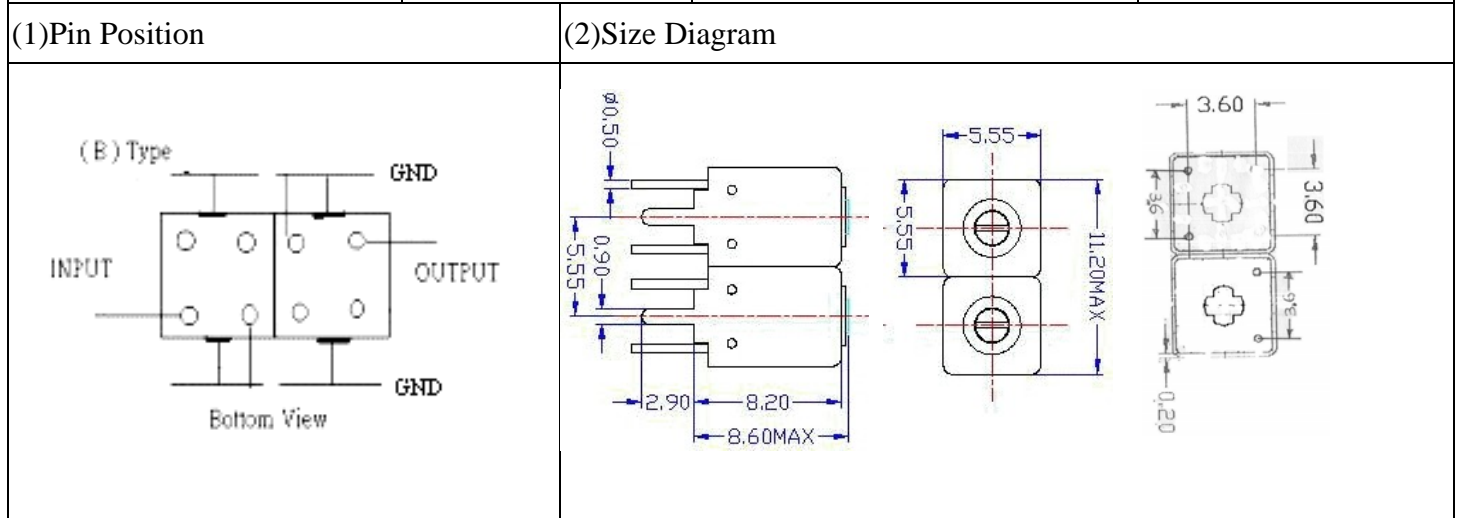


VHF UHF Helical Filter Specification Sheet

Customer Name		Temwell's Part No.	TDW2597B-1170M
Approval No. /dated	20111076DC	Acceptable Specify Fo. Range	1151~1200MHz
Work Instruction No.	20111076DC	Date	Dec.05.2001



(3)Electric Character			
Item	Specify	Performance	
Center Freq.(Fo) +/- 0.5 %	1170 MHz	1170	MHz
Tunable Range:	1170±5 MHz	1170±5	MHz
Insertion Loss	Typ. 4.5 dB	3.58	dB
-3 dB Bandwidth	Typ. 37 MHz	43	MHz
Sensitivity (Attenuation)	Fo - 100 MHz	Typ. 25	dBc
	Fo + 100 MHz	Typ. 20	dBc
	Fo - ()MHz	Typ.	dBc
	Fo +()MHz	Typ.	dBc
Return Loss	Min. 12 dB	17.3	dB
Ripple	< 1 dB		dB
Impedance	In / Out : 50 Ω	In / Out : 50 Ω	

(4)Torque for Tuning Screw > 60gf • cm

(5)Temperature Condition:	
Operating Temperature	0°C ~ +60°C
Storage Temperature	-20°C ~ +70°C

(6)Input Power > 0.5Watt

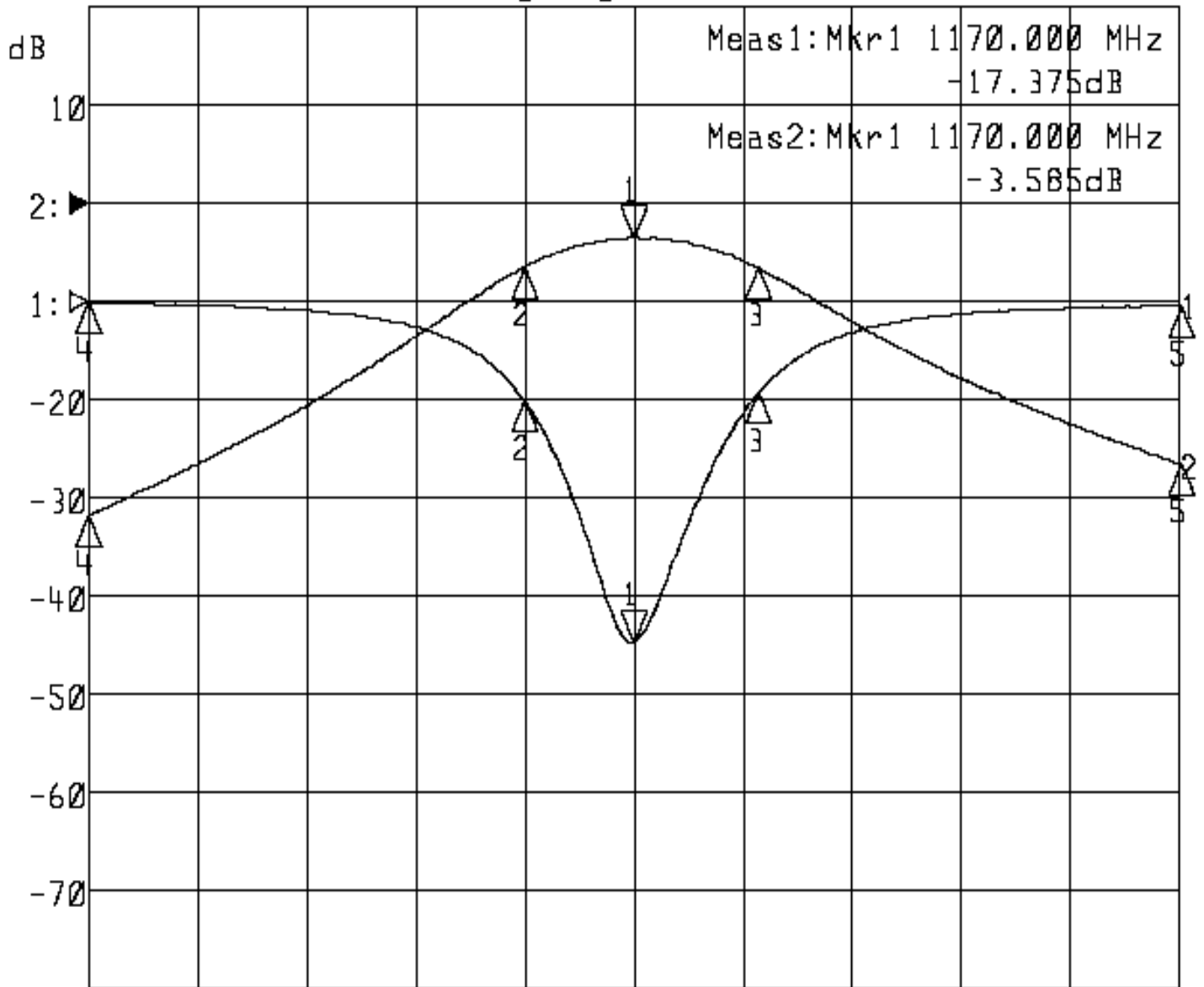
Approval	Supervisor	Designer	Aperture size
C.Y.Chang	C.S.Chang	Enlan	5W2S(3.8*4.7) 5HW024RB3

TEMWELL CORPORATION

Performance-TDW2597B-1170M

20111076DC

►1:S11 Refl Port1 Log Mag 5.0 dB/ Ref 0.00 dB C
►2:S21 Fwd Trans Log Mag 10.0 dB/ Ref 0.00 dB C



Center 1 170.000 MHz

Span 200.000 MHz

1:Mkr (MHz)	dB	2:Mkr (MHz)	dB
1> 1170.0000	-17.375	1> 1170.0000	-3.585
2: 1149.8667	-4.997	2: 1149.8667	-6.535
3: 1192.8000	-4.678	3: 1192.8000	-6.563
4: 1070.0000	-0.060	4: 1070.0000	-31.848
5: 1270.0000	-0.227	5: 1270.0000	-26.502