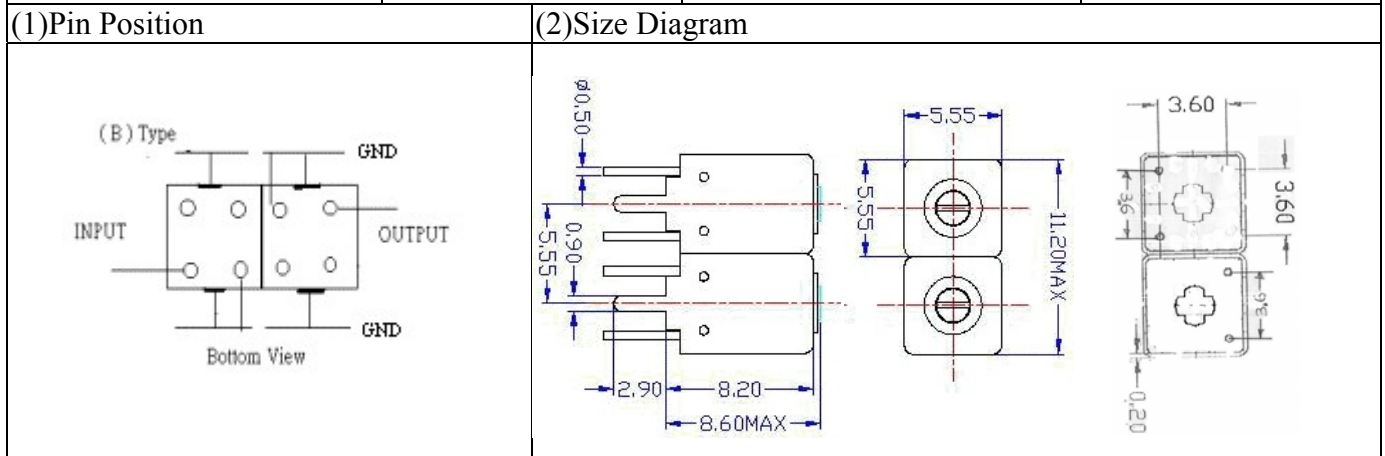


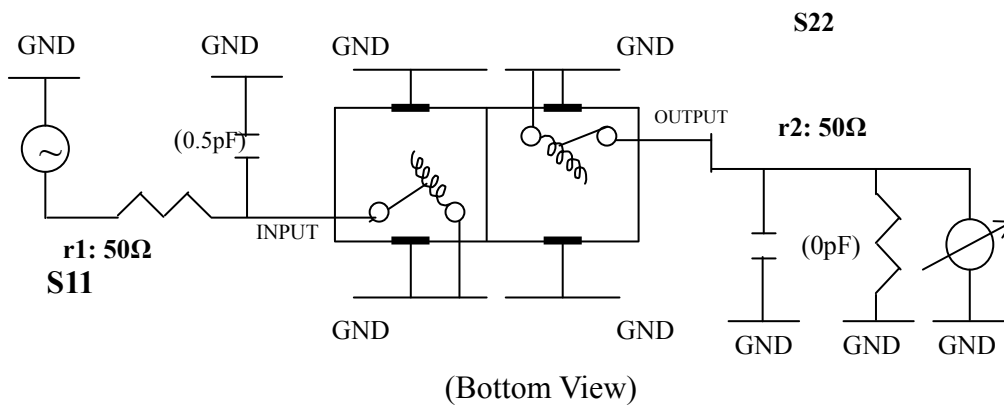
VHF UHF Helical Filter Specification Sheet

Customer Name		Temwell's Part No.	TDW2592B-1025M
Approval No. /dated	20111066APR	Acceptable Specify Fo Range	1001~1050 MHZ
Work Instruction No.	20111066DC	Date	Oct.12.2006



(3) Electric Characteristic			
Item		Specify	Performance
Center Freq.(Fo) +/- 0.5 %		1025 MHz	1025 MHz
Tunable Range:		1025±5 MHz	1025±5 MHz
Insertion Loss		Typ. 4.0 dB	1.85 dB
-3 dB Bandwidth		Typ. 39 MHz	47 MHz
Sensitivity (Attenuation)	Fo - 50 MHz	Typ. 11 dBc	14 dBc
	Fo + 50 MHz	Typ. 8 dBc	11 dBc
	Fo - ()MHz	Typ. dBc	dBc
	Fo +()MHz	Typ. dBc	dBc
Return Loss		Min. 12 dB	19.1 dB
Ripple		< 1 dB	dB
Impedance		In / Out : 50 Ω	In / Out : 50 Ω
(4) Torque for Tuning Screw		> 60gf • cm	
(5) Temperature Condition:			
Operating Temperature		0°C ~ +60°C	
Storage Temperature		-20°C ~ +70°C	
(6) Input Power		> 0.5Watt	

(7) Measuring Circuit: ※Easy to match Impedance 50Ω/ by parallel with about (0.5) pF.

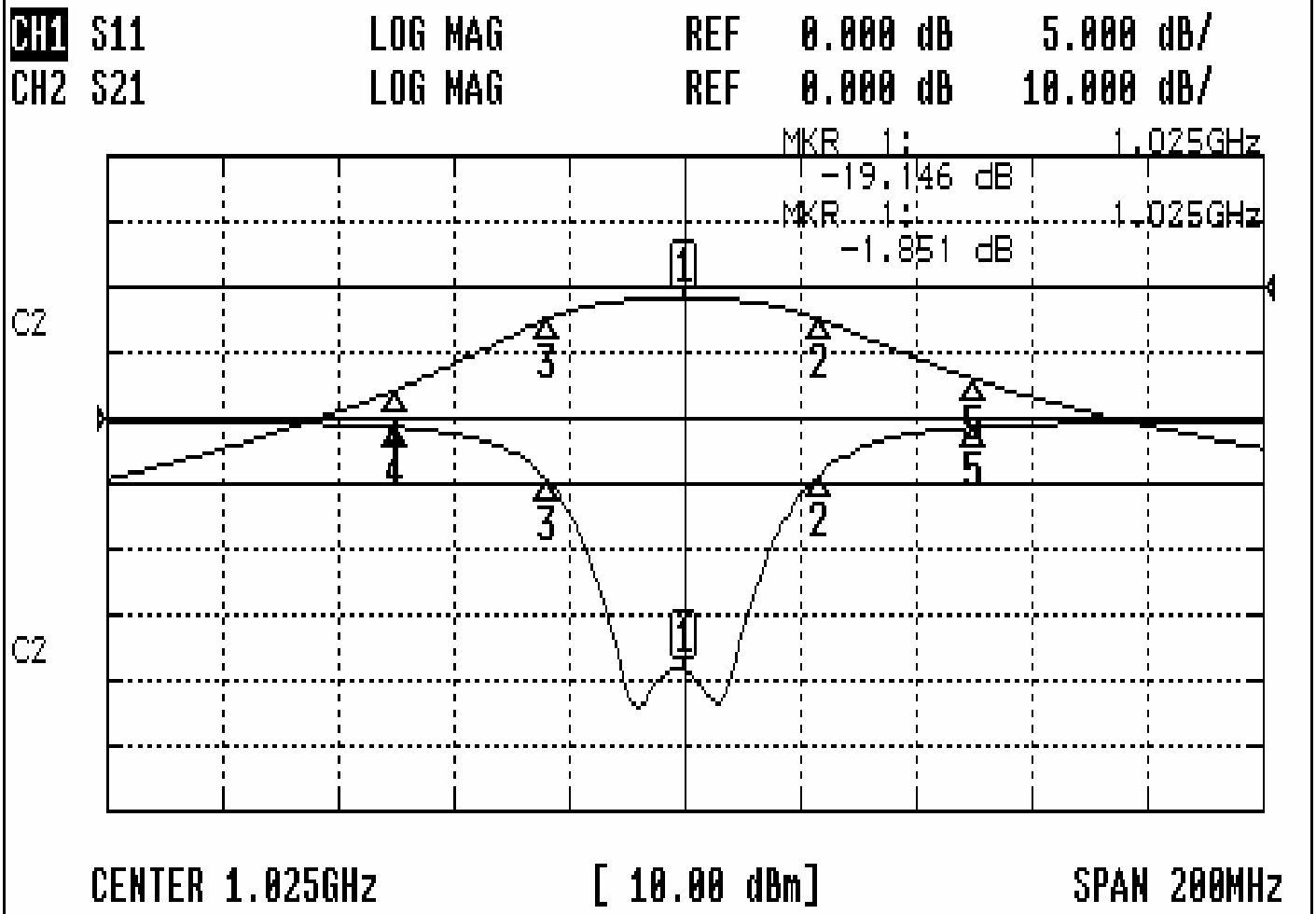


Approval	Supervisor	Designer	Aperture size
C.Y.Chang	C.S.Chang	W.W.Wang	5w2(3.8*4.5) 5HW024RB3

TEMWELL CORPORATION

Performance-TDW2592B-1025M

20111066DC



CH1 MARKER LIST

1:	1.025	000GHz	-19.146	dB
2:	1.048	333GHz	-4.281	dB
3:	1.001	333GHz	-4.769	dB
4:	975	.000MHz	-0.681	dB
5:	1.075	000GHz	-0.688	dB
6:				
7:				
8:				
9:				
10:				

CH2 MARKER LIST

1:	1.025	000GHz	-1.851	dB
2:	1.048	333GHz	-4.057	dB
3:	1.001	333GHz	-4.043	dB
4:	975	.000MHz	-15.624	dB
5:	1.075	000GHz	-13.970	dB
6:				
7:				
8:				
9:				
10:				