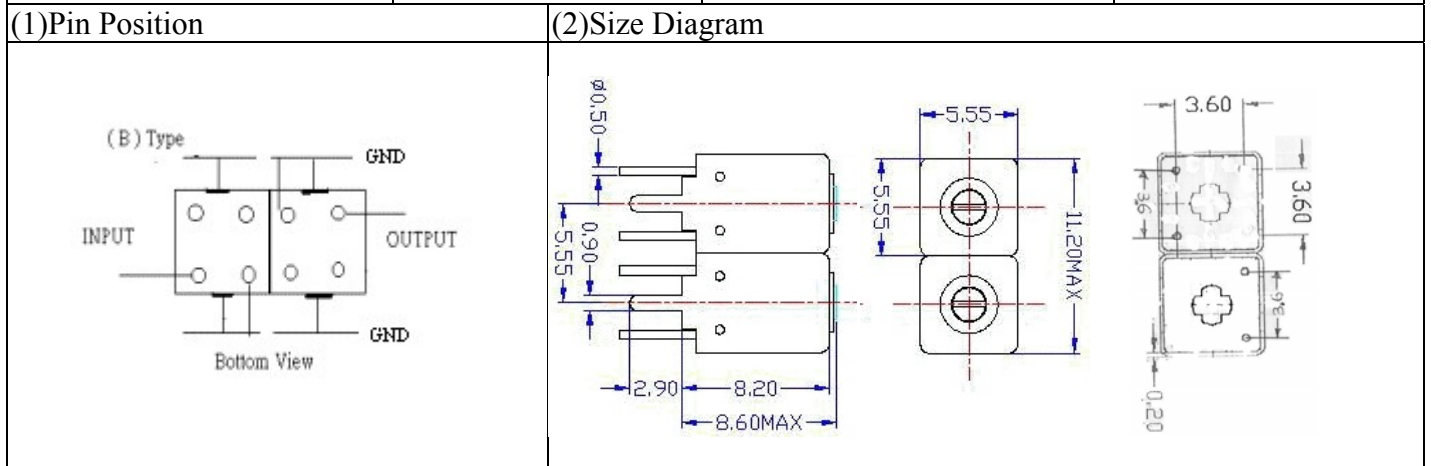


VHF UHF Helical Filter Specification Sheet

Customer Name		Temwell's Part No.	TDW2590B-1625M
Approval No. /dated	20111130APR	Acceptable Specify Fo Range	1601~1650 MHz
Work Instruction No.	20111130DC	Date	Oct.12.2006



(3) Electric Characteristic

Item	Specify	Performance	
Center Freq.(Fo) +/- 0.5 %	1625 MHz	1625 MHz	
Tunable Range:	1625±5 MHz	1625±5 MHz	
Insertion Loss	Typ. 6.0 dB	4.82 dB	
-3 dB Bandwidth	Typ. 49 MHz	57 MHz	
Sensitivity (Attenuation)	Fo - 100 MHz	Typ. 16 dBc	19 dBc
	Fo + 100 MHz	Typ. 13 dBc	16 dBc
	Fo - ()MHz	Typ. dBc	dBc
	Fo + ()MHz	Typ. dBc	dBc
Return Loss	Min. 12 dB	16.6 dB	
Ripple	< 1 dB	dB	
Impedance	In / Out : 50 Ω	In / Out : 50 Ω	

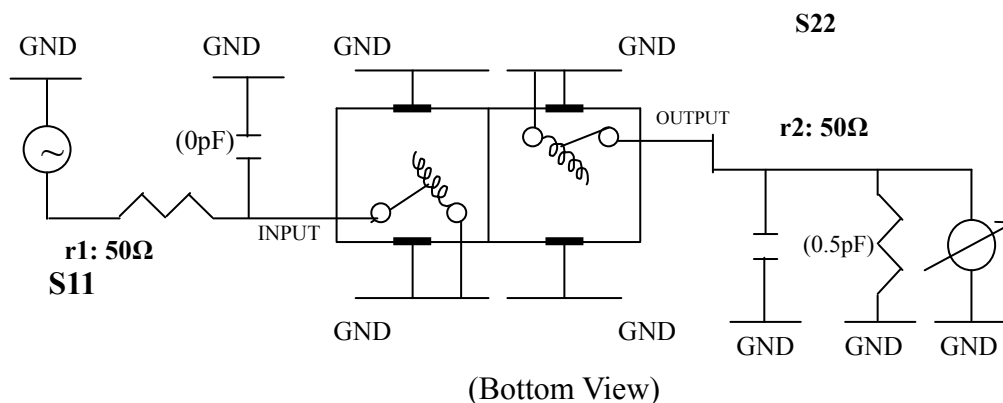
(4) Torque for Tuning Screw > 60gf · cm

(5) Temperature Condition:

Operating Temperature	0°C ~ +60°C
Storage Temperature	-20°C ~ +70°C

(6) Input Power > 0.5Watt

(7) Measuring Circuit: ※Easy to match Impedance 50Ω/ by parallel with about (0) pF.(0.5)pF



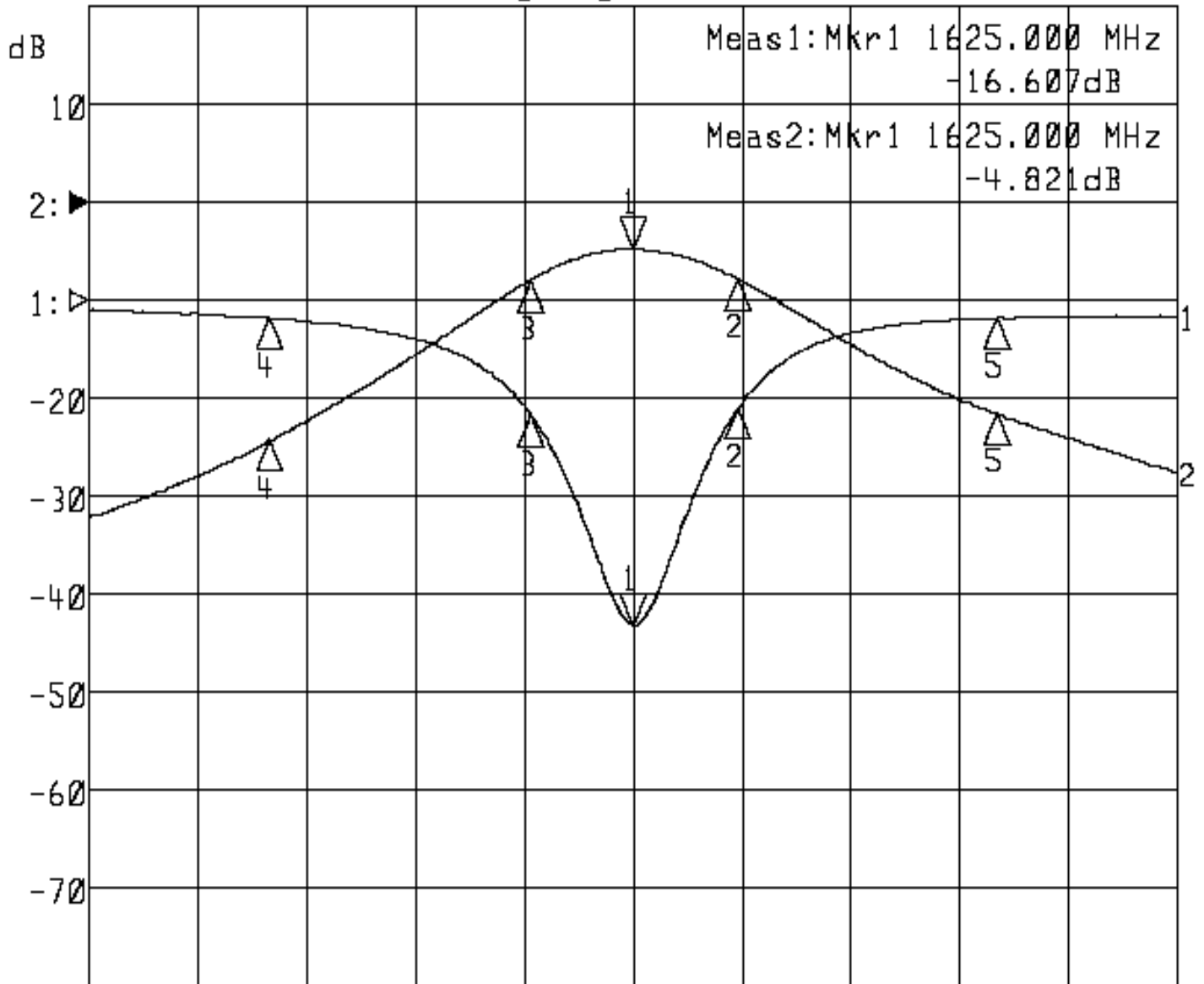
Approval	Supervisor	Designer	Aperture size
C.Y.Chang	C.S.Chang	Enlan	5w2(3.8*4.7) 5HW024RB3

TEMWELL CORPORATION

Performance-TDW2590B-1625M

20111130DC

▶1:S11 Refl Port1 Log Mag 5.0 dB/ Ref 0.00 dB C
 ▶2:S21 Fwd Trans Log Mag 10.0 dB/ Ref 0.00 dB C



Center 1 625.000 MHz

Span 300.000 MHz

1:Mkr (MHz)	dB	2:Mkr (MHz)	dB
1> 1625.0000	-16.607	1> 1625.0000	-4.821
2: 1653.9000	-5.542	2: 1653.9000	-7.794
3: 1596.9000	-5.828	3: 1596.9000	-7.878
4: 1525.0000	-0.922	4: 1525.0000	-24.328
5: 1725.0000	-0.925	5: 1725.0000	-21.568