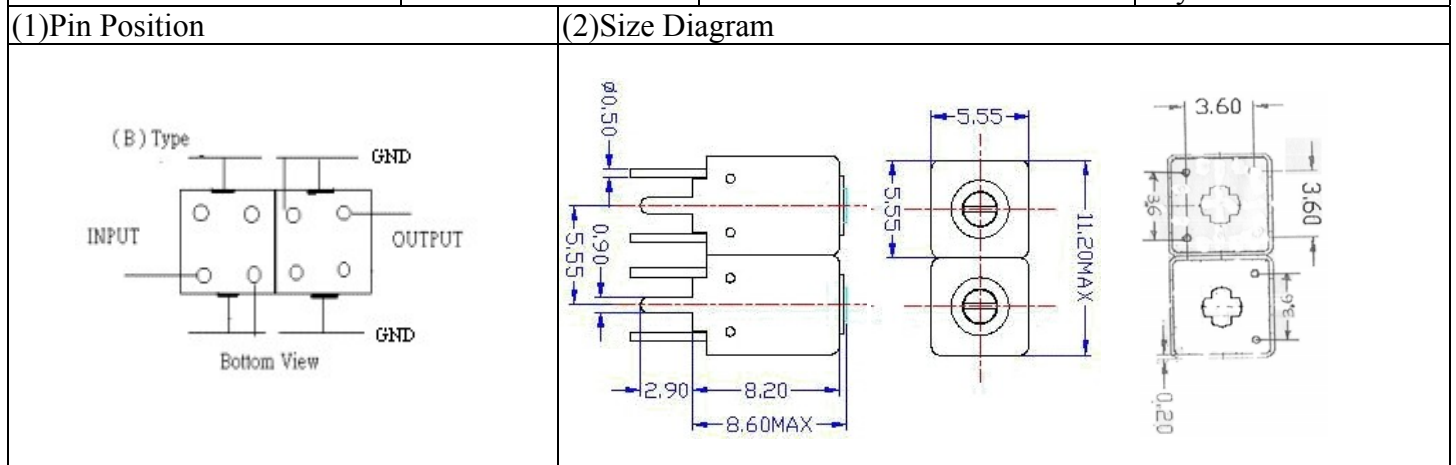


VHF UHF Helical Filter Specification Sheet

Customer Name		Temwell's Part No.	TDW2588B-1575M
Approval No. /dated	20111126DC	Acceptable Specify Fo Range	1551~1600MHz
Work Instruction No.	20111126DC	Date	July.17.2008



(3) Electric Characteristic

Item	Specify	Performance	
Center Freq.(Fo) +/- 0.5 %	1575 MHz	1575 MHz	
Tunable Range:	1575±5 MHz	1575±5 MHz	
Insertion Loss	Typ. 5.0 dB	2.14 dB	
-3 dB Bandwidth	Typ. 55 MHz	63 MHz	
Sensitivity (Attenuation)	Fo - 100 MHz	Typ. 16 dBc	19 dBc
	Fo + 100 MHz	Typ. 14 dBc	17 dBc
	Fo - ()MHz	Typ. dBc	dBc
	Fo +()MHz	Typ. dBc	dBc
Return Loss	Min. 12 dB	21.5 dB	
Ripple	< 1 dB	dB	
Impedance	In / Out : 50 Ω	In / Out : 50 Ω	

(4) Torque for Tuning Screw > 60gf · cm

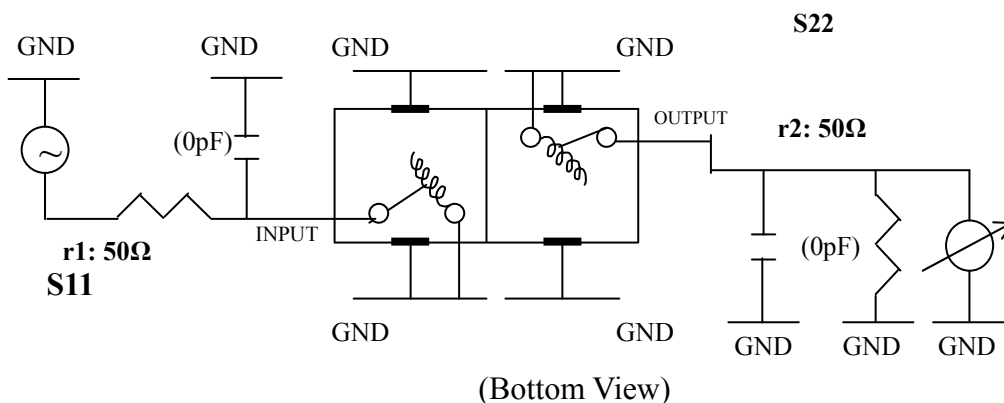
(5) Temperature Condition:

Operating Temperature 0°C ~ +60°C

Storage Temperature -20°C ~ +70°C

(6) Input Power > 0.5Watt

(7) Measuring Circuit: ※Easy to match Impedance 50Ω by parallel with about (0pF)/(0pF)



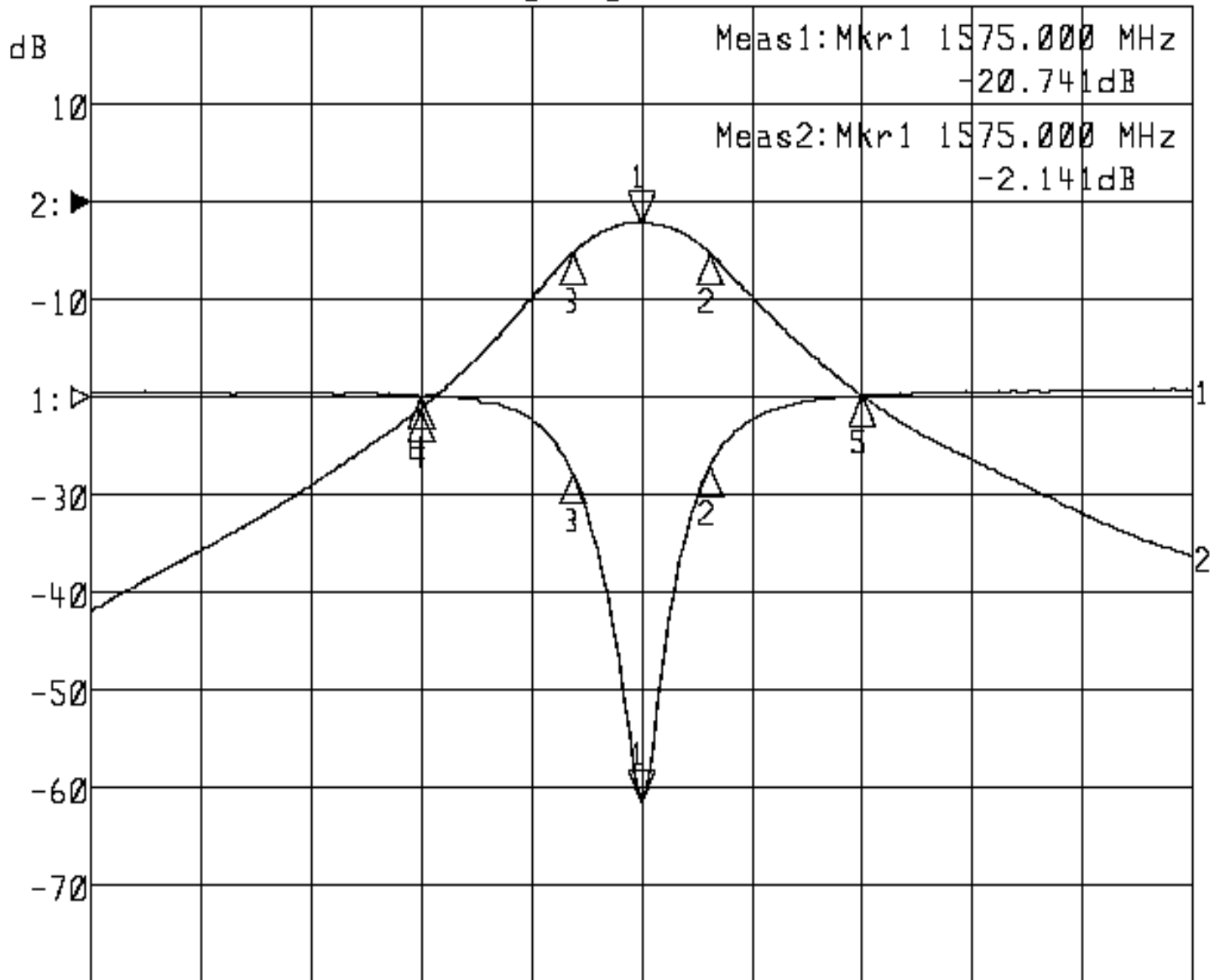
Approval	Supervisor	Designer	Aperture size
C.Y.Chang	C.S.Chang	J.F.Lin	5W2S(3.8*3.5) 5W024RB3

TEMWELL CORPORATION

Performance-TDW2588B-1575M

2011126CD

▶1:S11 Refl Port1 Log Mag 5.0 dB/ Ref 0.00 dB C
▶2:S21 Fwd Trans Log Mag 10.0 dB/ Ref 0.00 dB C



Center 1 575.000 MHz

Span 500.000 MHz

1:Mkr (MHz)	dB	2:Mkr (MHz)	dB
1> 1575.0000	-20.741	1> 1575.0000	-2.141
2: 1606.0000	-3.562	2: 1606.0000	-5.210
3: 1543.8333	-3.916	3: 1543.8333	-5.234
4: 1475.0000	0.035	4: 1475.0000	-21.175
5: 1675.0000	0.076	5: 1675.0000	-19.812