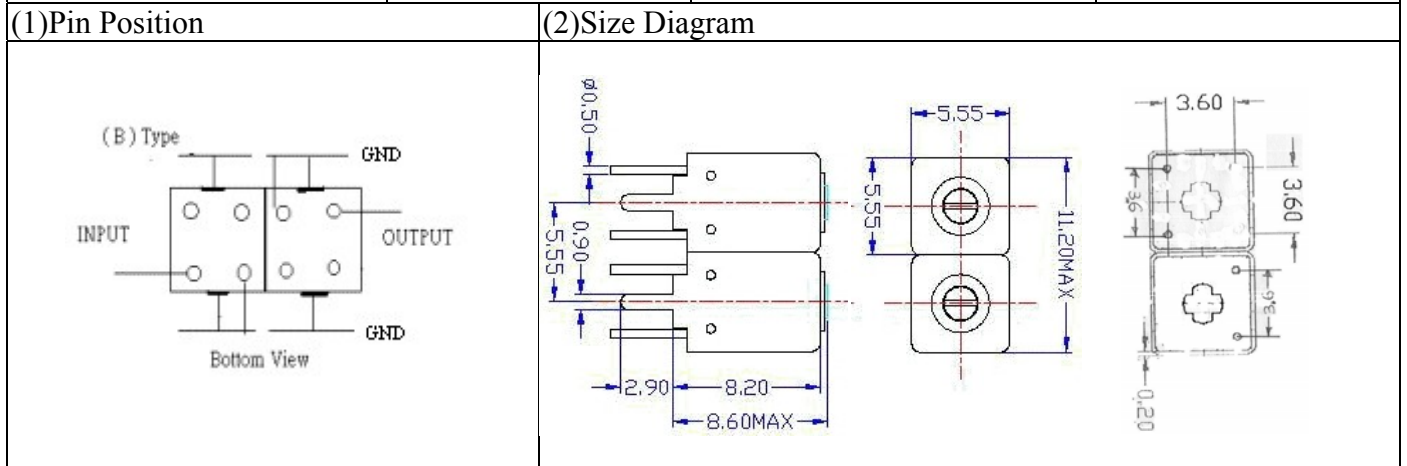


VHF UHF Helical Filter Specification Sheet

Customer Name		Temwell's Part No.	TDW2586B-1525M
Approval No. /dated	20111122APR	Acceptable Specify Fo Range	1501~1550 MHz
Work Instruction No.	20111122DC	Date	Oct.12.2006



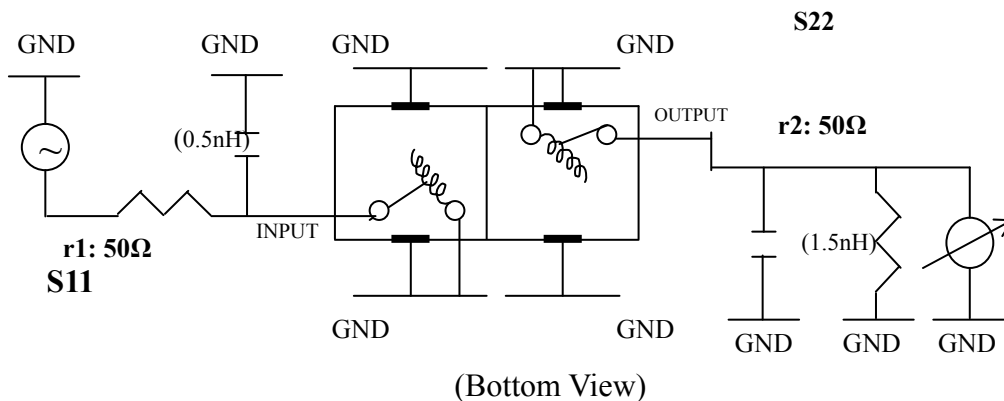
(3) Electric Characteristic		Item	Specify	Performance
Center Freq.(Fo) +/- 0.5 %			1525 MHz	1525 MHz
Tunable Range:			1525±5 MHz	1525±5 MHz
Insertion Loss		Typ.	6.0 dB	4.88 dB
-3 dB Bandwidth		Typ.	39 MHz	54 MHz
Sensitivity (Attenuation)	Fo - 100 MHz	Typ.	17 dBc	20 dBc
	Fo + 100 MHz	Typ.	14 dBc	17 dBc
	Fo - ()MHz	Typ.	dBc	dBc
	Fo +()MHz	Typ.	dBc	dBc
Return Loss		Min.	12 dB	21.5 dB
Ripple			< 1 dB	dB
Impedance			In / Out : 50 Ω	In / Out : 50 Ω

(4) Torque for Tuning Screw > 60gf · cm

(5) Temperature Condition:	
Operating Temperature	0°C ~ +60°C
Storage Temperature	-20°C ~ +70°C

(6) Input Power > 0.5Watt

(7) Measuring Circuit: ※Easy to match Impedance 50Ω/ by parallel with about (0.5) nH.(1.5)nH



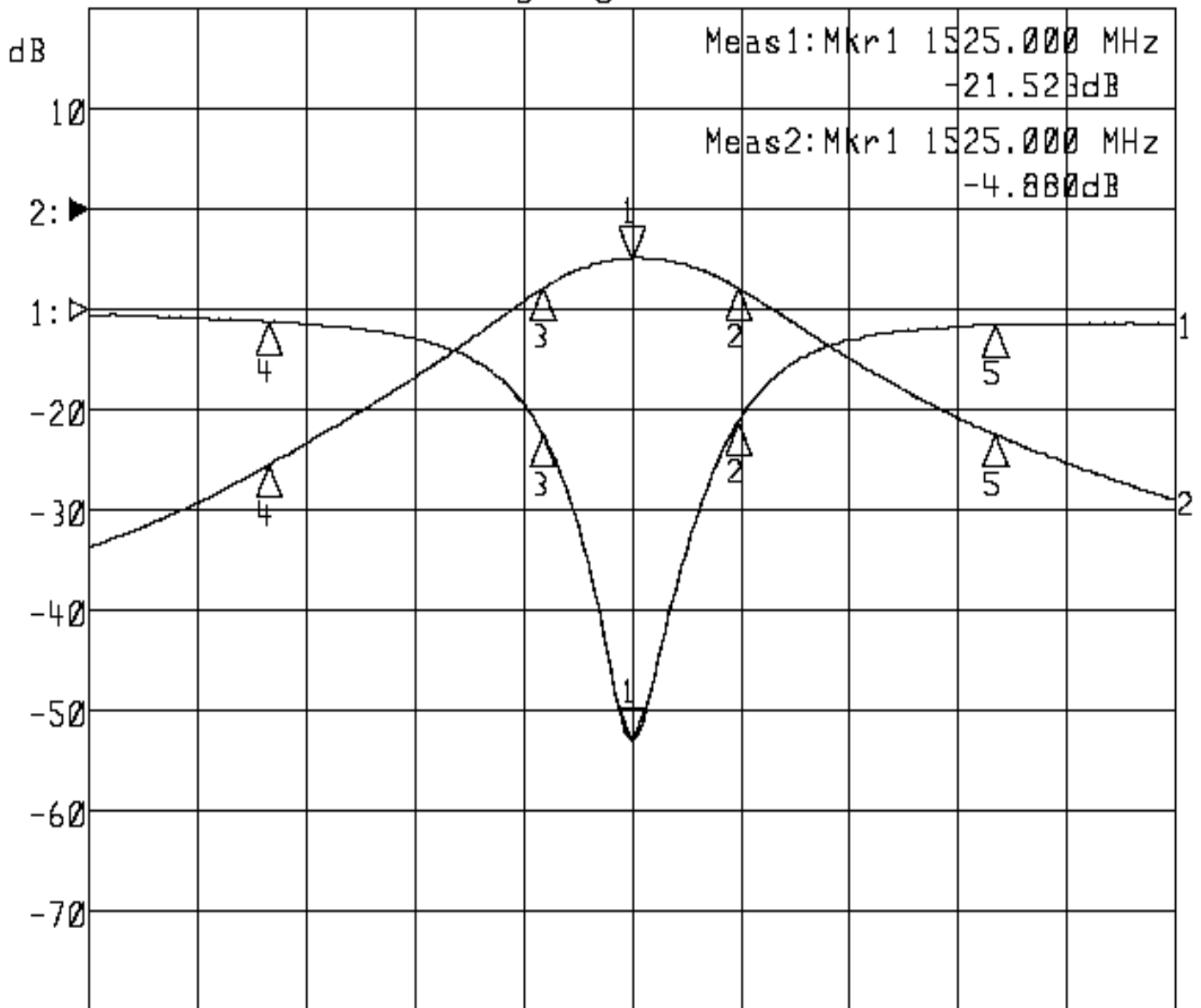
Approval	Supervisor	Designer	Aperture size
C.Y.Chang	C.S.Chang	Enlan	5w2(3.8*4.7) 5HW024RB3

TEMWELL CORPORATION

Performance-TDW2586B-1525M

2011122DC

▶1:S11 Refl Port1 Log Mag 5.0 dB/ Ref 0.00 dB C
▶2:S21 Fwd Trans Log Mag 10.0 dB/ Ref 0.00 dB C



Center 1 525.000 MHz

Span 300.000 MHz

1:Mkr (MHz)	dB	2:Mkr (MHz)	dB
1> 1525.0000	-21.523	1> 1525.0000	-4.880
2: 1554.4000	-5.564	2: 1554.4000	-7.870
3: 1500.4667	-6.212	3: 1500.4667	-7.870
4: 1425.0000	-0.605	4: 1425.0000	-25.453
5: 1625.0000	-0.789	5: 1625.0000	-22.427