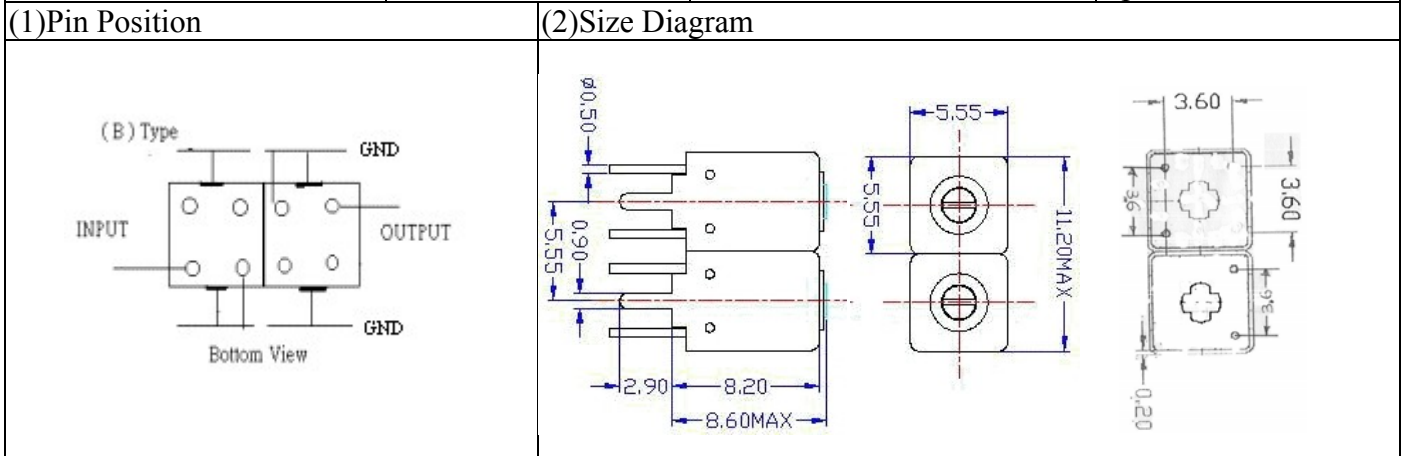


VHF UHF Helical Filter Specification Sheet

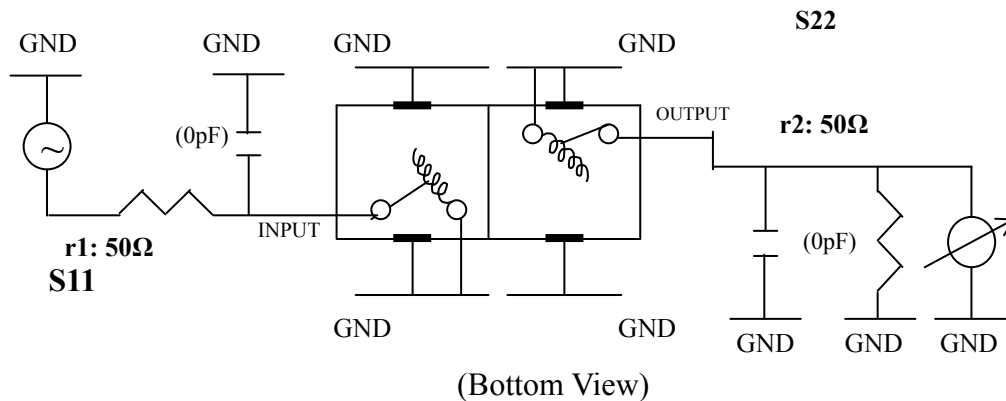
Customer Name		Temwell's Part No.	TDW2569B-960M
Approval No. /dated	0904016CD	Temwell's print Name.	2569B 960M
Work Instruction No.	200904016CD	Date	Apr.10.2009



(3) Electric Characteristic			
Item		Specify	Performance
Center Freq.(Fo) +/- 0.5 %		960 MHz	960 MHz
Tunable Range:		960±10 MHz	960±10 MHz
Insertion Loss		Typ. 4.0 dB	3.28 dB
-3 dB Bandwidth		Typ. 15 MHz	21 MHz
Sensitivity (Attenuation)	Fo - 50 MHz	Typ. 22 dBc	25 dBc
	Fo + 50 MHz	Typ. 20 dBc	23 dBc
	Fo - ()MHz	Typ. dBc	dBc
	Fo +()MHz	Typ. dBc	dBc
Return Loss		Min. 12 dB	25.6 dB
Ripple		< 1 dB	dB
Impedance		In / Out : 50 Ω	In / Out : 50 Ω

(4) Torque for Tuning Screw	> 60gf · cm
(5) Temperature Condition:	
Operating Temperature	0°C ~ +60°C
Storage Temperature	-20°C ~ +70°C
(6) Input Power	> 0.5Watt

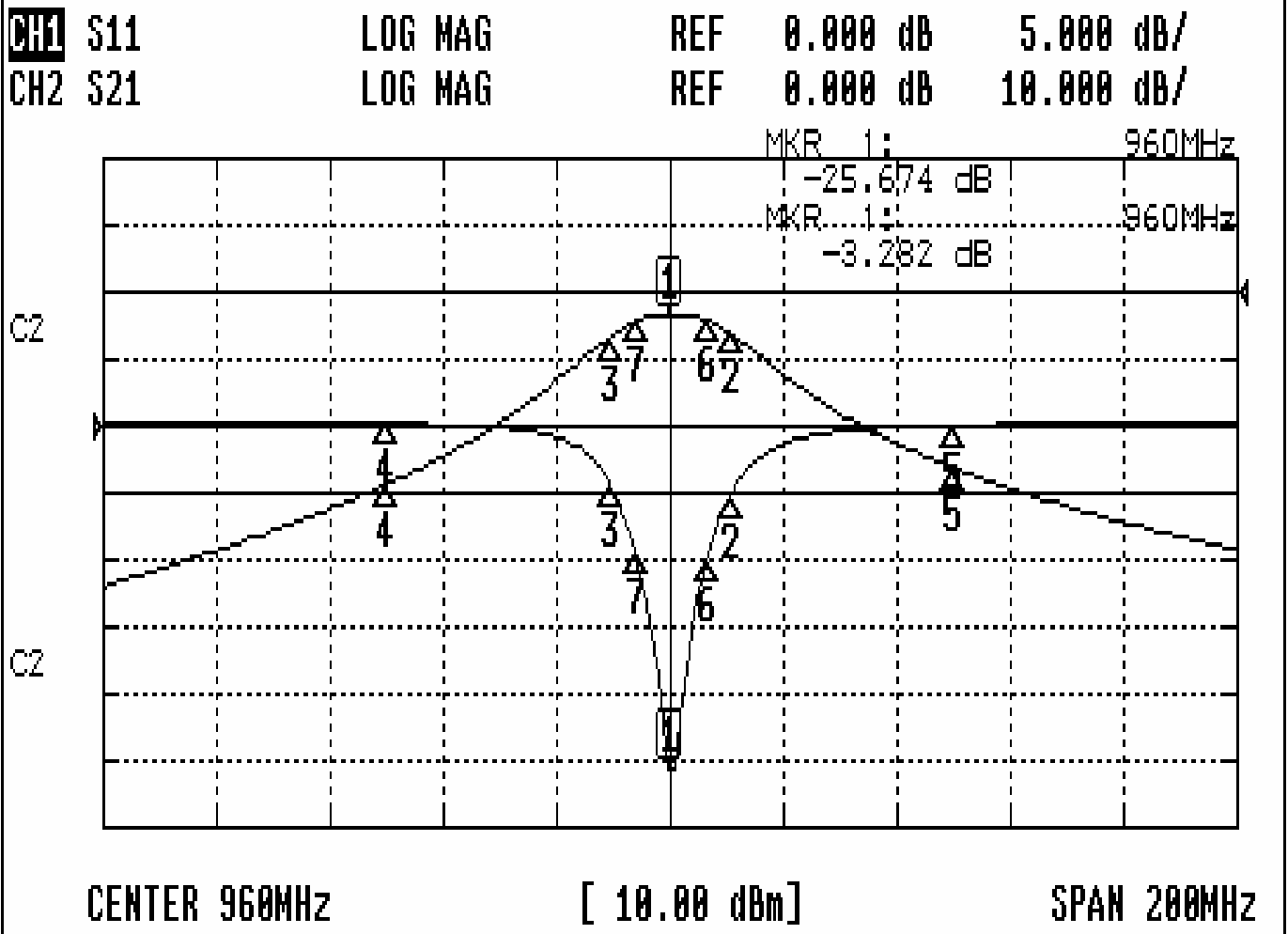
(7) Measuring Circuit: ※Easy to match Impedance 50Ω by parallel with about (0pF)/(0pF)



Approval	Supervisor	Designer	Aperture size
C.Y.Chang	C.S.Chang	W.W.Wang	5W2S(3.8*3.5)(3.52) 5HW024RB3
TEMWELL CORPORATION			

Performance-TDW2569B-960M

200904016CD



CH1 MARKER LIST

1:	960.000MHz	-25.674	dB
2:	970.833MHz	-5.063	dB
3:	949.833MHz	-4.504	dB
4:	910.000MHz	0.213	dB
5:	1.010000GHz	0.000	dB
6:	966.666MHz	-9.950	dB
7:	954.000MHz	-9.380	dB

CH2 MARKER LIST

1:	960.000MHz	-3.282	dB
2:	970.833MHz	-16.233	dB
3:	949.833MHz	-6.004	dB
4:	910.000MHz	-20.704	dB
5:	1.010000GHz	-26.247	dB
6:	966.666MHz	-4.295	dB
7:	954.000MHz	-4.285	dB