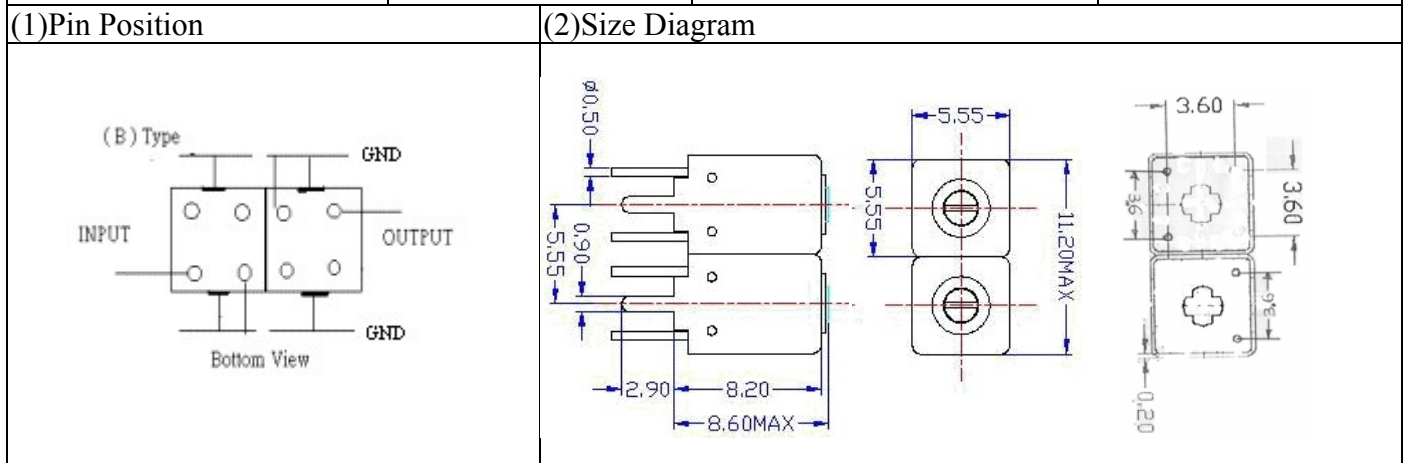


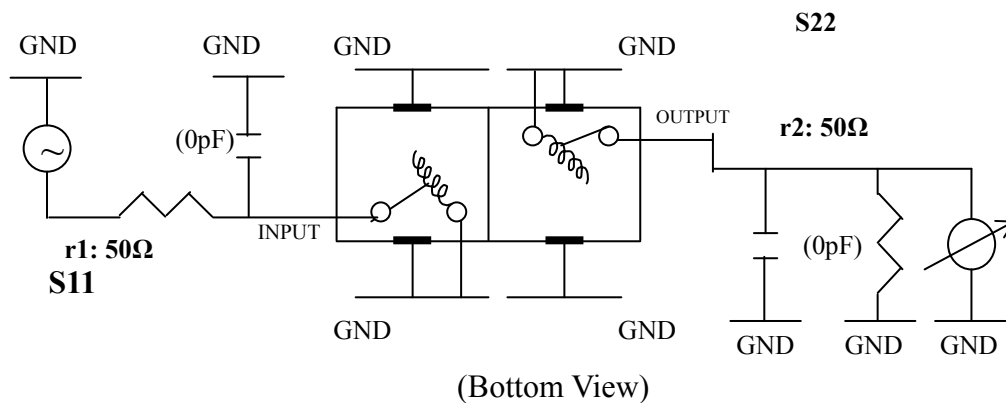
VHF UHF Helical Filter Specification Sheet

Customer Name		Temwell's Part No.	TDW2560B-1800M
Approval No. /dated	20202058APR	Acceptable Specify Fo Range	1751~1800 MHz
Work Instruction No.	20202058DC	Date	Oct.16.2006



Item		Specify	Performance
Center Freq.(Fo) +/- 0.5 %		1800 MHz	1800 MHz
Tunable Range:		1800±5 MHz	1800±5 MHz
Insertion Loss		Typ. 5.0 dB	2.72 dB
-3 dB Bandwidth		Typ. 56 MHz	65.2 MHz
Sensitivity (Attenuation)	Fo - 100 MHz	Typ. 16 dBc	19 dBc
	Fo + 100 MHz	Typ. 13 dBc	16 dBc
	Fo - ()MHz	Typ. dBc	dBc
	Fo + ()MHz	Typ. dBc	dBc
Return Loss		Min. 12 dB	28.1 dB
Ripple		< 1 dB	dB
Impedance		In / Out : 50 Ω	In / Out : 50 Ω
(4) Torque for Tuning Screw		> 60gf · cm	
(5) Temperature Condition:			
Operating Temperature		0°C ~ +60°C	
Storage Temperature		-20°C ~ +70°C	
(6) Input Power		> 0.5Watt	

(7) Measuring Circuit: ※Easy to match Impedance 50Ω/ by parallel with about (0) pF.

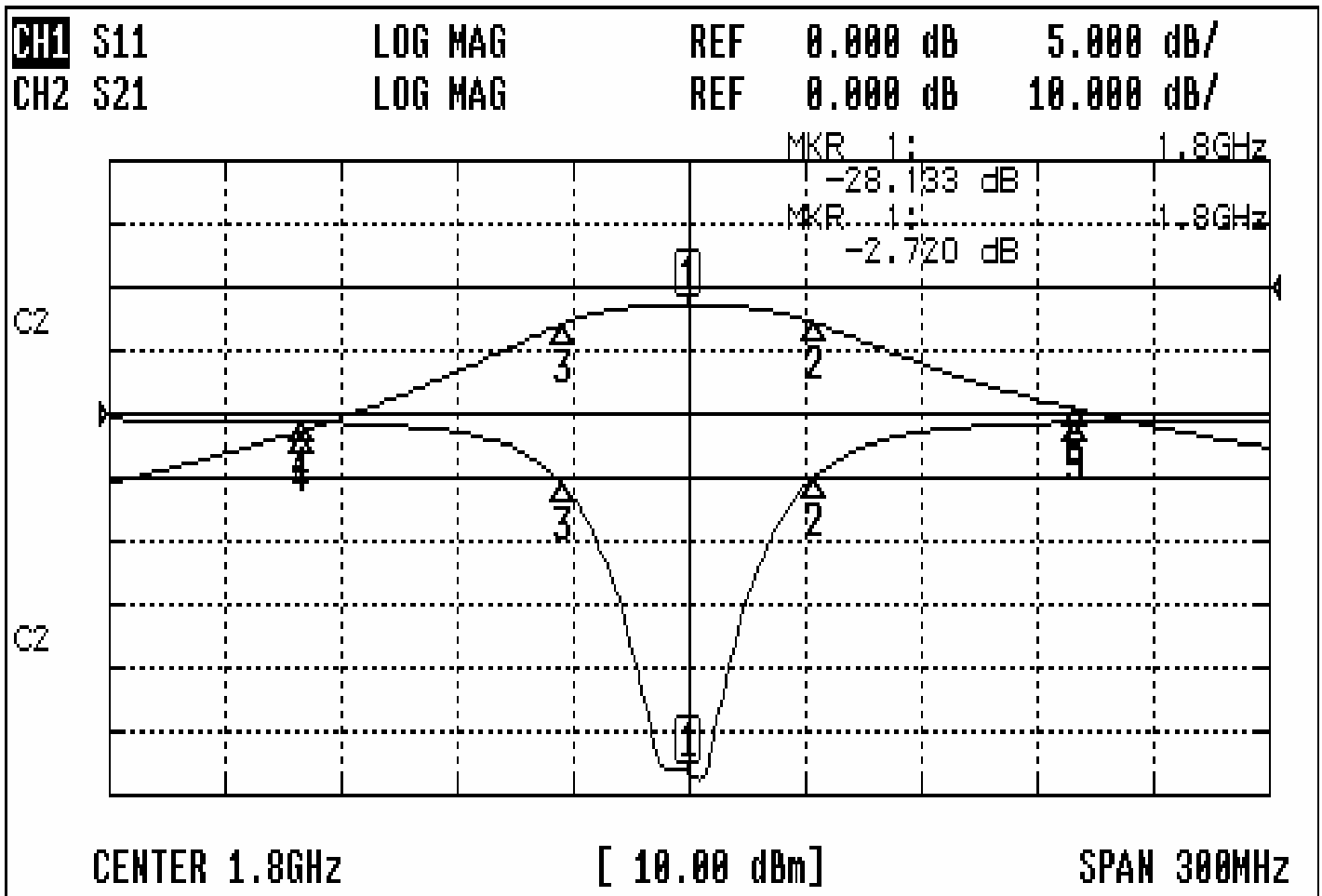


Approval	Supervisor	Designer	Aperture size
C.Y.Chang	C.S.Chang	W.W.Wang	5w2(3.8*4.5) 5HW024RB3

TEMWELL CORPORATION

Performance-TDW2560B-1800M

020202058DC



CH1 MARKER LIST

1:	1.800 000GHz	-28.133	dB
2:	1.832 750GHz	-4.861	dB
3:	1.767 500GHz	-5.536	dB
4:	1.700 000GHz	-0.642	dB
5:	1.900 000GHz	-0.673	dB

CH2 MARKER LIST

1:	1.800 000GHz	-2.722	dB
2:	1.832 750GHz	-1.748	dB
3:	1.767 500GHz	-1.755	dB
4:	1.700 000GHz	-22.581	dB
5:	1.900 000GHz	-19.260	dB