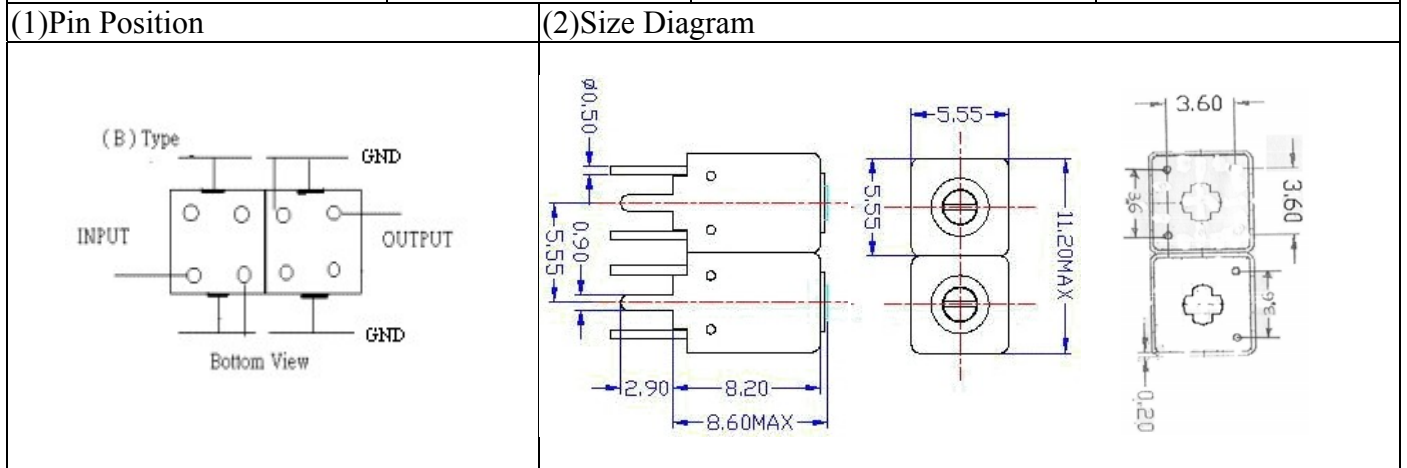


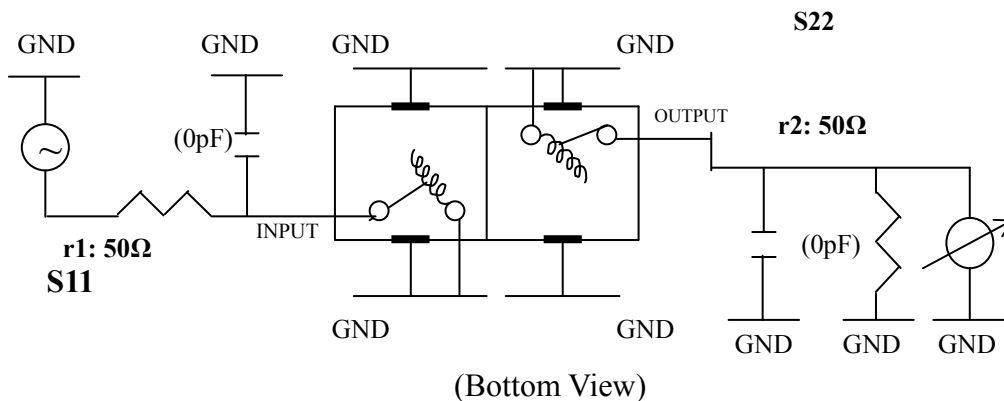
# VHF UHF Helical Filter Specification Sheet

Customer Name		Temwell's Part No.	TDW2552B-915M
Approval No. /dated	0712093APR	Temwell's print Name.	2552B 915M
Work Instruction No.	0712093CD	Date	Jan.2.2008



(3)Electric Charasteric			
Item		Specify	Performance
Center Freq.(Fo) +/- 0.5 %		915 MHz	915 MHz
Insertion Loss		Typ. 2.5 dB	1.72 dB
-3 dB Bandwidth		Typ. 30 MHz	38.0 MHz
Sensitivity (Attenuation)	Fo - 100 MHz	Typ. 34 dBc	36 dBc
	Fo + 100 MHz	Typ. 22 dBc	25 dBc
	Fo - ( )MHz	Typ. dBc	dBc
	Fo +( )MHz	Typ. dBc	dBc
Return Loss		Min. 12 dB	26.0 dB
Ripple		< 1 dB	dB
Impedance		In / Out : 50 Ω	In / Out : 50 Ω
(4)Torque for Tuning Screw		> 60gf · cm	
(5)Temperature Condition:			
Operating Temperature		0°C ~ +60°C	
Storage Temperature		-20°C ~ +70°C	
(6)Input Power		>0.5Watt	

(7)Measuring Circuit: ※Easy to match Impedance 50Ω by parallel with about (0pF)/(0pF)



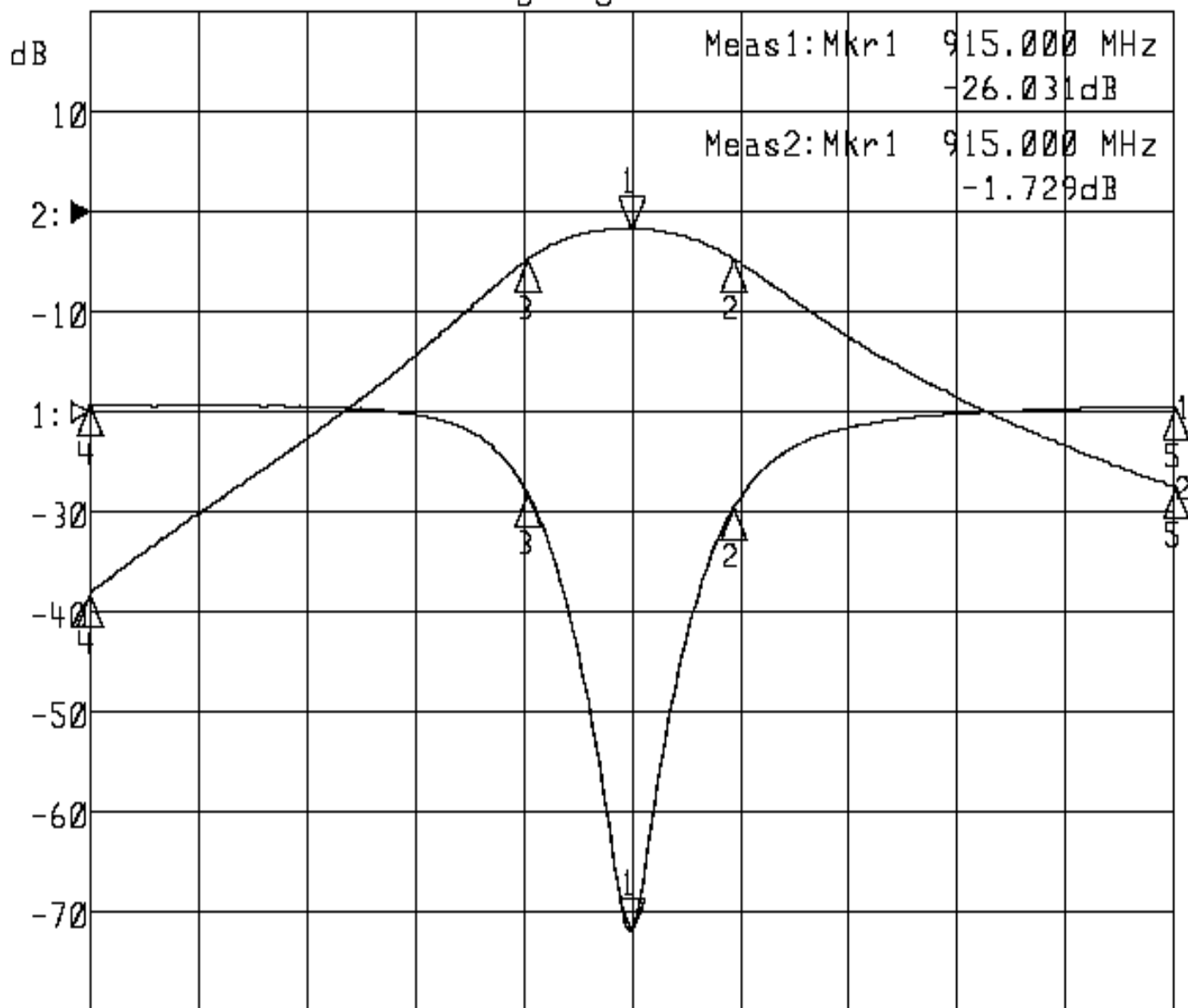
Approval	Supervisor	Designer	Aperture size
C.Y.Chang	C.S.Chang	Y.H.Chuan	5W2(3.8*4.0)F 5HW024RB3

TEMWELL CORPORATION

# Performance-TDW2552B-915M

## 0712093CD

▷1:S11 Refl Port1 Log Mag 5.0 dB/ Ref 0.00 dB C  
▶2:S21 Fwd Trans Log Mag 10.0 dB/ Ref 0.00 dB C



Center 915.000 MHz

Span 200.000 MHz

1:Mkr (MHz)	dB	2:Mkr (MHz)	dB
1> 915.0000	-26.031	1> 915.0000	-1.729
2: 933.8000	-4.802	2: 933.8000	-4.707
3: 895.8667	-4.065	3: 895.8667	-4.737
4: 815.0000	0.355	4: 815.0000	-38.258
5: 1015.0000	0.276	5: 1015.0000	-27.498