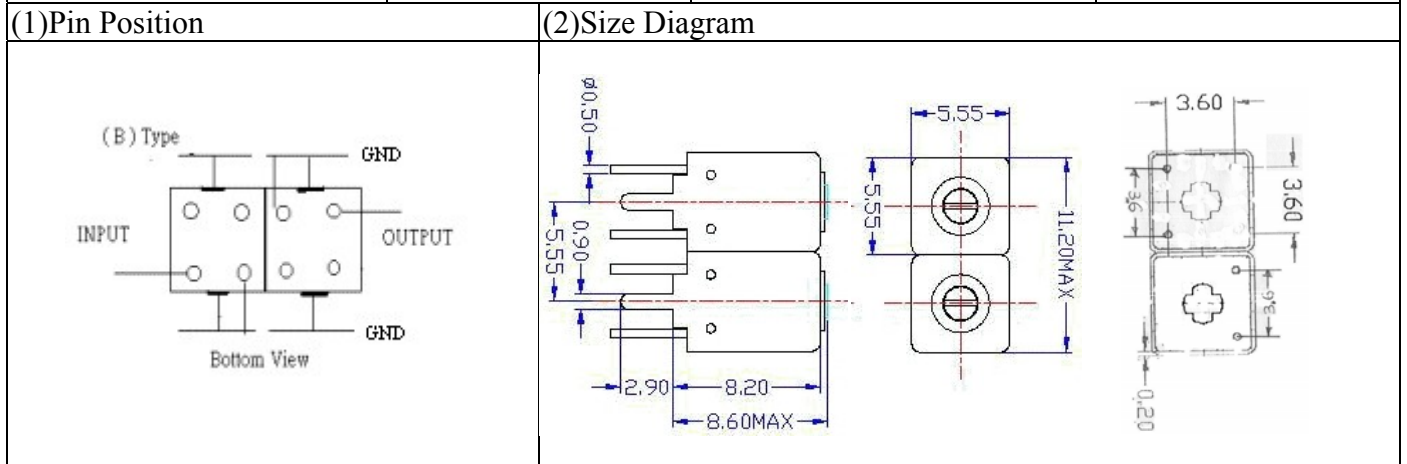


VHF UHF Helical Filter Specification Sheet

Customer Name		Temwell's Part No.	TDW2545B-1840M
Approval No. /dated	20204034APR	Acceptable Specify Fo Range	1801~1850 MHz
Work Instruction No.	20204034DC	Date	Oct.16.2006



(3) Electric Characteristic

Item	Specify	Performance	
Center Freq.(Fo) +/- 0.5 %	1840 MHz	1840 MHz	
Tunable Range:	1840±5 MHz	1840±5 MHz	
Insertion Loss	Typ. 4.0 dB	2.45 dB	
-3 dB Bandwidth	Typ. 57 MHz	66.2 MHz	
Sensitivity (Attenuation)	Fo - 100 MHz	Typ. 16 dBc	19 dBc
	Fo + 100 MHz	Typ. 12 dBc	15 dBc
	Fo - ()MHz	Typ. dBc	dBc
	Fo +()MHz	Typ. dBc	dBc
Return Loss	Min. 12 dB	16.1 dB	
Ripple	< 1 dB	dB	
Impedance	In / Out : 50 Ω	In / Out : 50 Ω	

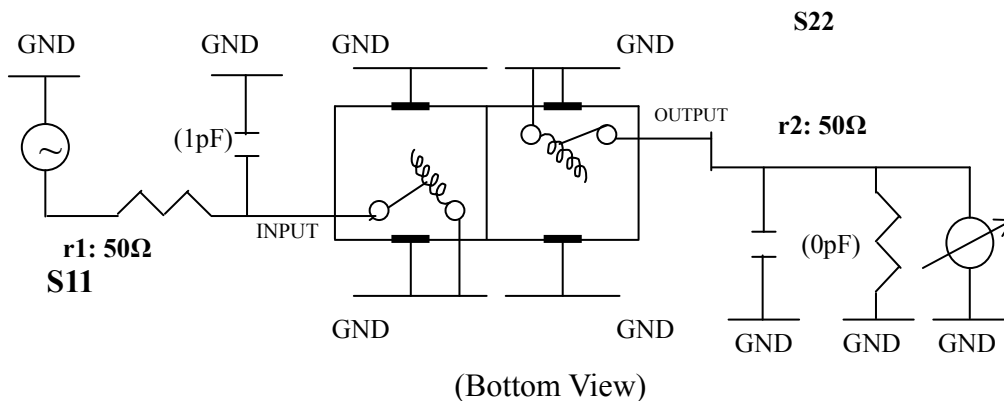
(4) Torque for Tuning Screw > 60gf · cm

(5) Temperature Condition:

Operating Temperature	0°C ~ +60°C
Storage Temperature	-20°C ~ +70°C

(6) Input Power > 0.5Watt

(7) Measuring Circuit: ※Easy to match Impedance 50Ω/ by parallel with about (1) pF.(0)pF

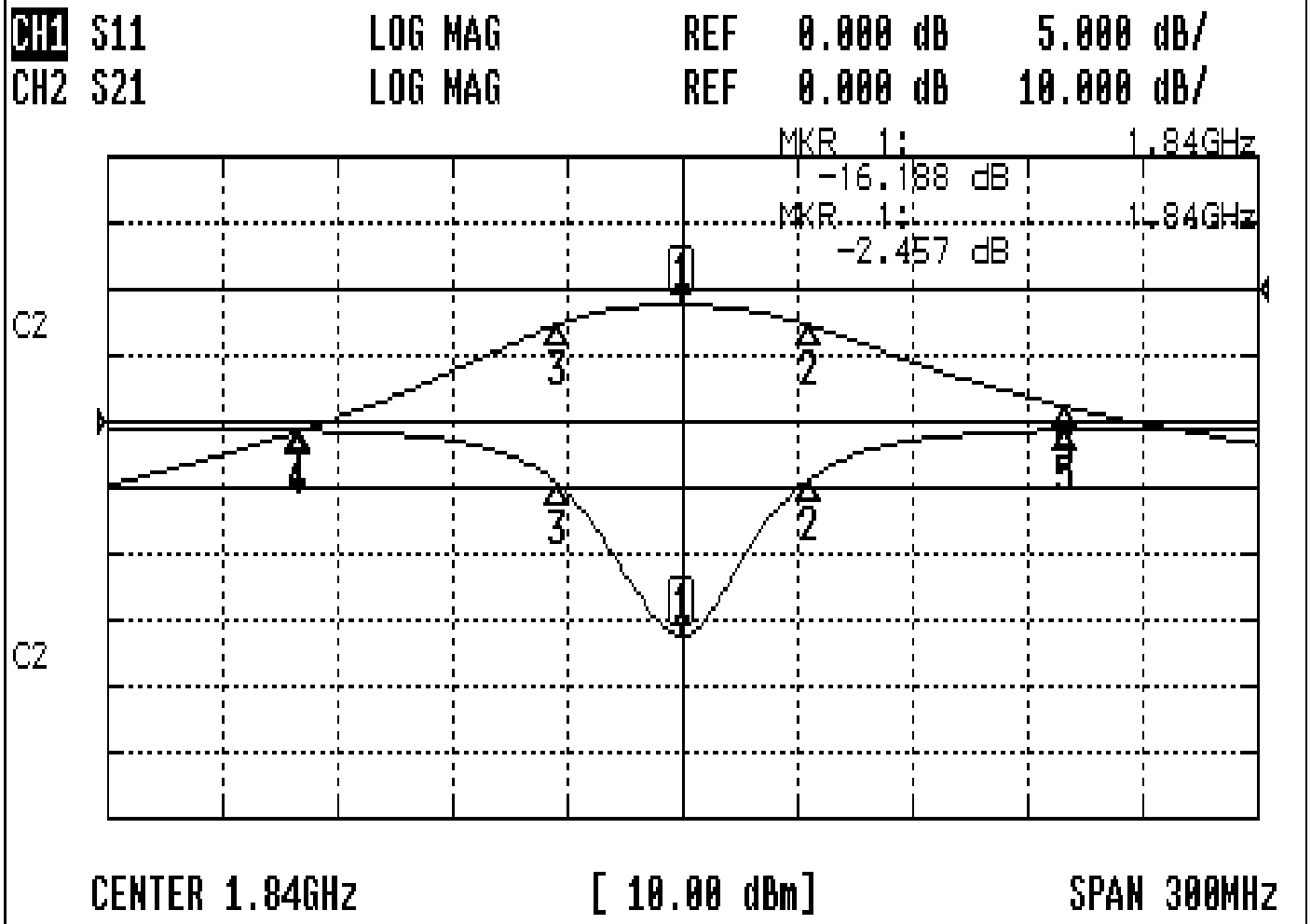


Approval	Supervisor	Designer	Aperture size
C.Y.Chang	C.S.Chang	W.W.Wang	5w2(3.8*4.5) 5HW024RB3

TEMWELL CORPORATION

Performance-TDW2545B-1840M

20204034DC



CH1 MARKER LIST

1:	1.840	000GHz	-16.192	dB
2:	1.873	250GHz	-4.291	dB
3:	1.807	000GHz	-4.597	dB
4:	1.740	000GHz	-0.688	dB
5:	1.940	000GHz	-0.667	dB

CH2 MARKER LIST

1:	1.840	000GHz	-2.457	dB
2:	1.873	250GHz	-5.493	dB
3:	1.807	000GHz	-5.431	dB
4:	1.740	000GHz	-21.415	dB
5:	1.940	000GHz	-17.713	dB