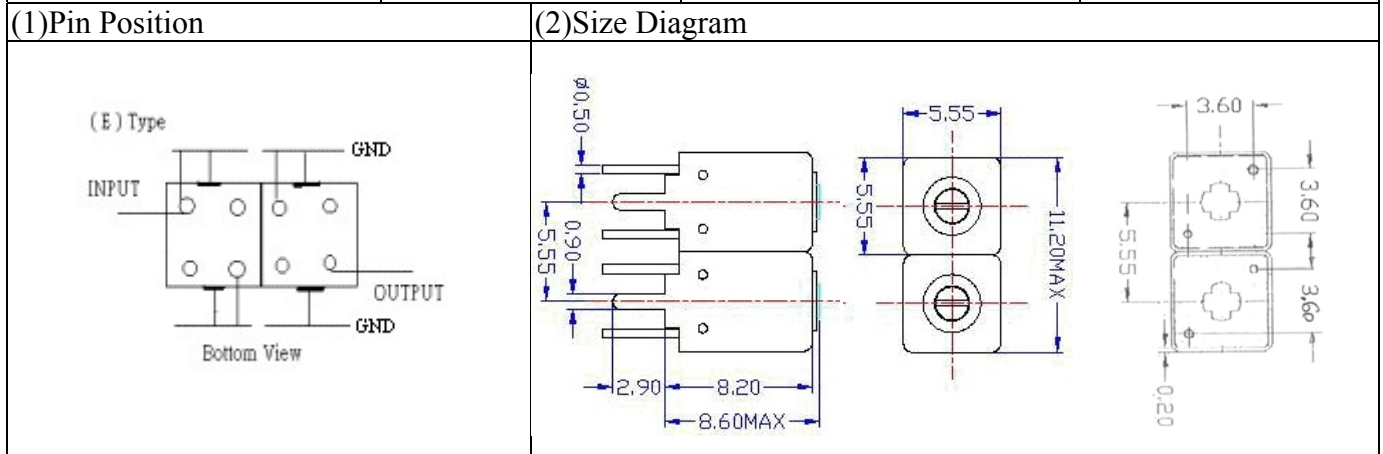
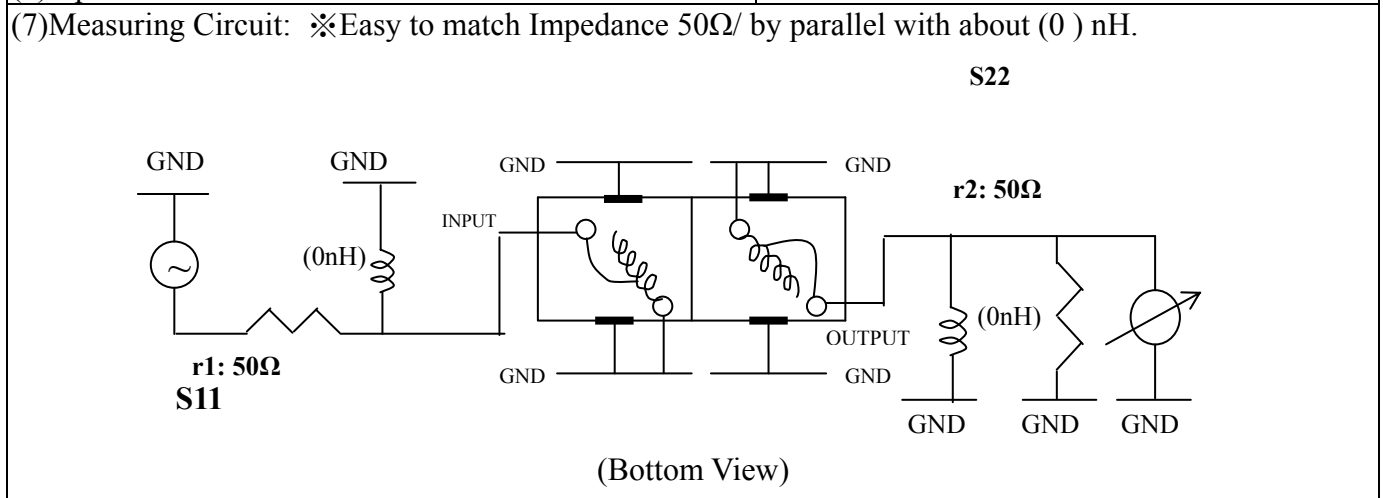


VHF UHF Helical Filter Specification Sheet

Customer Name		Temwell's Part No.	TDW2539E-1472M
Approval No. /dated	20306020APR	Acceptable Specify Fo Range	1451~1500 MHZ
Work Instruction No.	20306020DC	Date	Oct.16.2006



Item		Specify	Performance
Center Freq.(Fo) +/- 0.5 %		1472 MHz	1472 MHz
Tunable Range:		1472±10 MHz	1472±10 MHz
Insertion Loss		Typ. 4.0 dB	3.13 dB
-3 dB Bandwidth		Typ. 27 MHz	34.3 MHz
Sensitivity (Attenuation)	Fo - 100 MHz	Typ. 24 dBc	27 dBc
	Fo +100 MHz	Typ. 26 dBc	29 dBc
	Fo - ()MHz	Typ. dBc	dBc
	Fo +()MHz	Typ. dBc	dBc
Return Loss		Min. 12 dB	22.0 dB
Ripple		< 1 dB	dB
Impedance		In / Out : 50 Ω	In / Out : 50 Ω
(4) Torque for Tuning Screw		> 60gf · cm	
(5) Temperature Condition:			
Operating Temperature		0°C ~ +60°C	
Storage Temperature		-20°C ~ +70°C	
(6) Input Power		>0.5Watt	



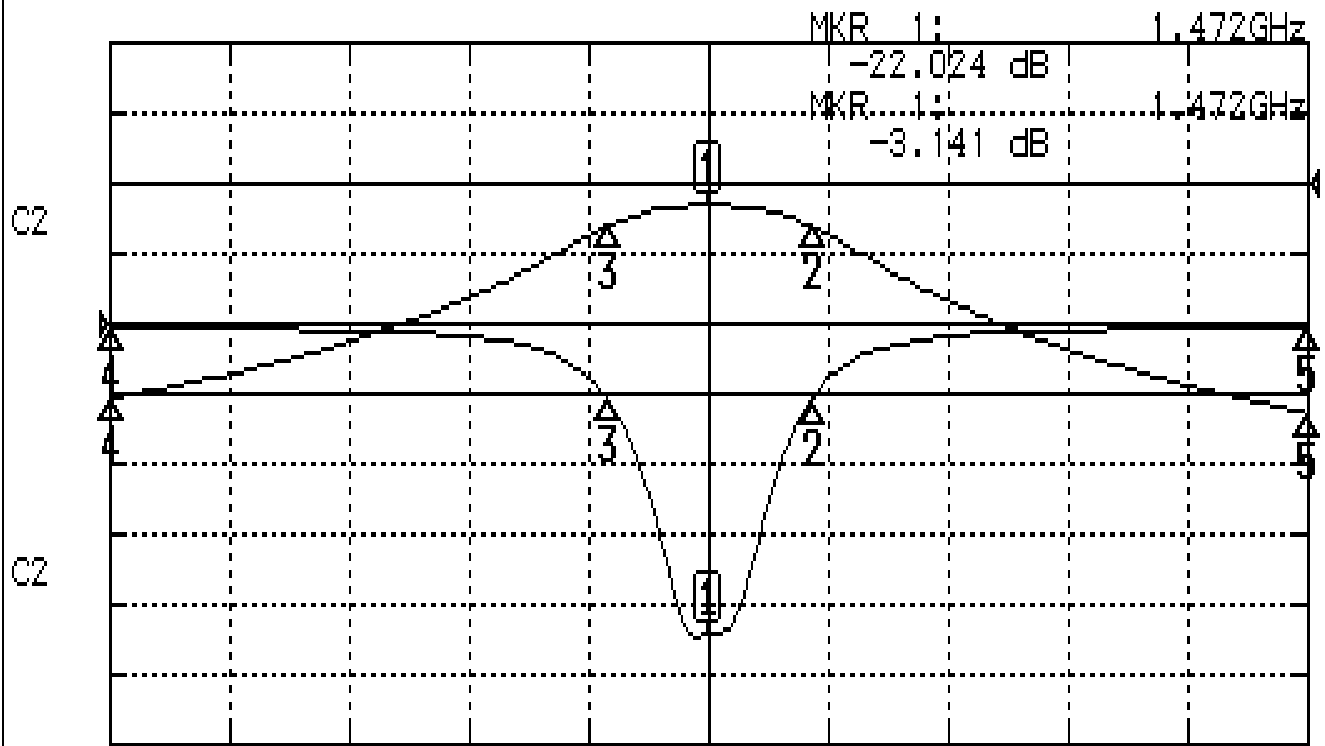
Approval	Supervisor	Designer	Aperture size
C.Y.Chang	C.S.Chang	W.W.Wang	5W2(3.8*4.5) 5HW024LB3

TEMWELL CORPORATION

Performance-TDW2539E-1472M

20306020DC

CH1 S11 LOG MAG REF 0.000 dB 5.000 dB/
CH2 S21 LOG MAG REF 0.000 dB 10.000 dB/



CENTER 1.472GHz

[10.00 dBm]

SPAN 200MHz

CH1 MARKER LIST

Marker	Frequency (GHz)	Magnitude (dB)
1	1.472 000	-22.024
2	1.489 333	-15.345
3	1.455 000	-15.228
4	1.372 000	-0.309
5	1.572 000	-0.318

CH2 MARKER LIST

Marker	Frequency (GHz)	Magnitude (dB)
1	1.472 000	-3.139
2	1.489 333	-6.163
3	1.455 000	-6.158
4	1.372 000	-30.700
5	1.572 000	-32.746