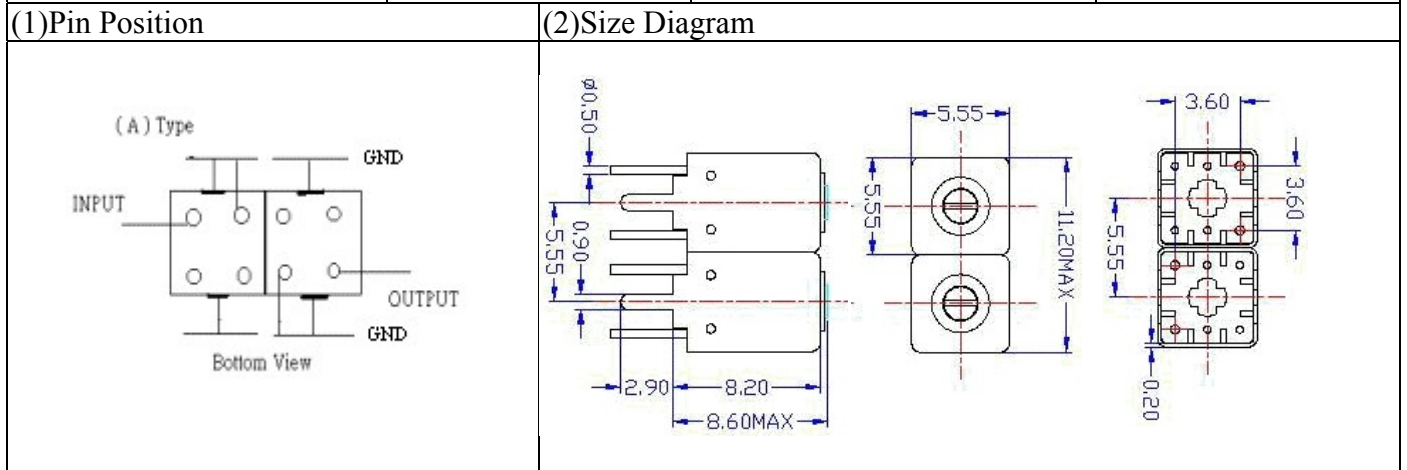


VHF UHF Helical Filter Specification Sheet

Customer Name		Temwell's Part No.	TDW2436A-400M
Approval No. /dated		Temwell's Print Name.	2436A 400M
Work Instruction No.	201302022C	Date	Mar.05.2013



(3) Electric Characteristic

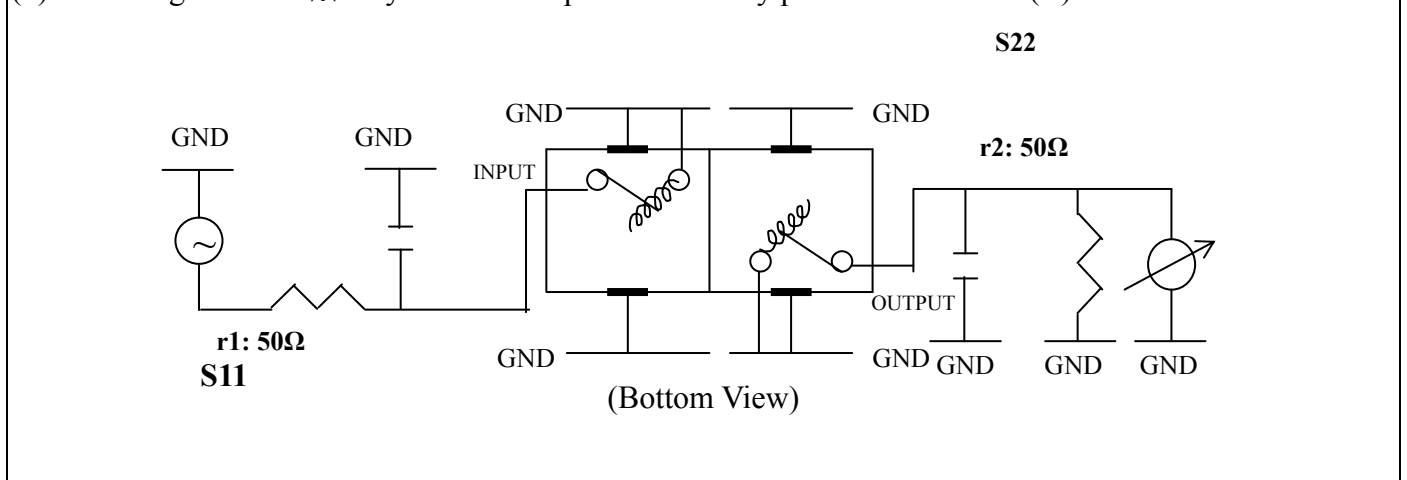
Item	Specify	Performance	
Center Freq.(Fo) +/- 0.75 %	400 MHz	400 MHz	
Insertion Loss	Typ. 3.0 dB	2.27 dB	
-3 dB Bandwidth	Typ. 15 MHz	17.7 MHz	
Sensitivity (Attenuation)	Fo - 50 MHz	Typ. 21 dBc	24 dBc
	Fo + 50 MHz	Typ. 30 dBc	37 dBc
	Fo - ()MHz	Typ. dB	dB
	Fo +()MHz	Typ. dB	dB
Return Loss	Min. 12 dB	30.0 dB	
Ripple	< 1 dB	dB	
Impedance	In / Out : 50 Ω	In / Out : 50 Ω	
(4) Torque for Tuning Screw	> 60gf · cm		

(5) Temperature Condition:

Operating Temperature	-30°C ~ +70°C
Storage Temperature	-30°C ~ +80°C

(6) Input Power

(7) Measuring Circuit: ※ Easy to match Impedance 50Ω by parallel with about (--)



Approval	Supervisor	Designer	Aperture size
C.Y.Chang	C.K.Chang	P.H.Chiang	5W2S(3.8*4.0)(4.04) 5HW024RB3-J1

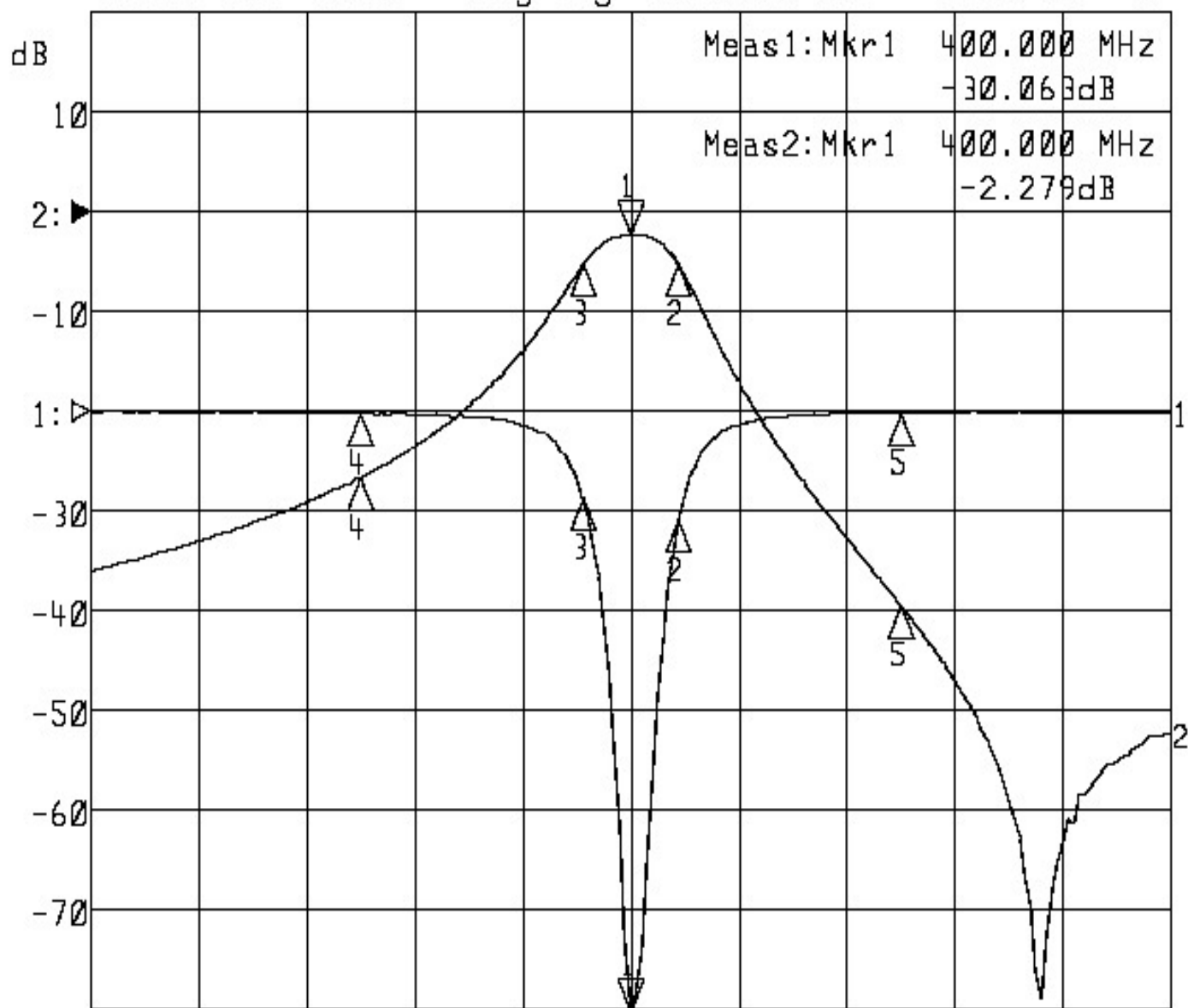
TEMWELL CORPORATION

Performance-TDW2436A-400M

201302022C

▶1:S11 Refl Port1 Log Mag 5.0 dB/ Ref 0.00 dB C

▶2:S21 Fwd Trans Log Mag 10.0 dB/ Ref 0.00 dB C



Center 400.000 MHz

Span 200.000 MHz

1:Mkr (MHz)	dB	2:Mkr (MHz)	dB
1> 400.0000	-30.063	1> 400.0000	-2.279
2: 408.9333	-5.447	2: 408.9333	-5.312
3: 391.2333	-4.406	3: 391.2333	-5.328
4: 350.0000	-0.149	4: 350.0000	-26.649
5: 450.0000	-0.082	5: 450.0000	-39.498