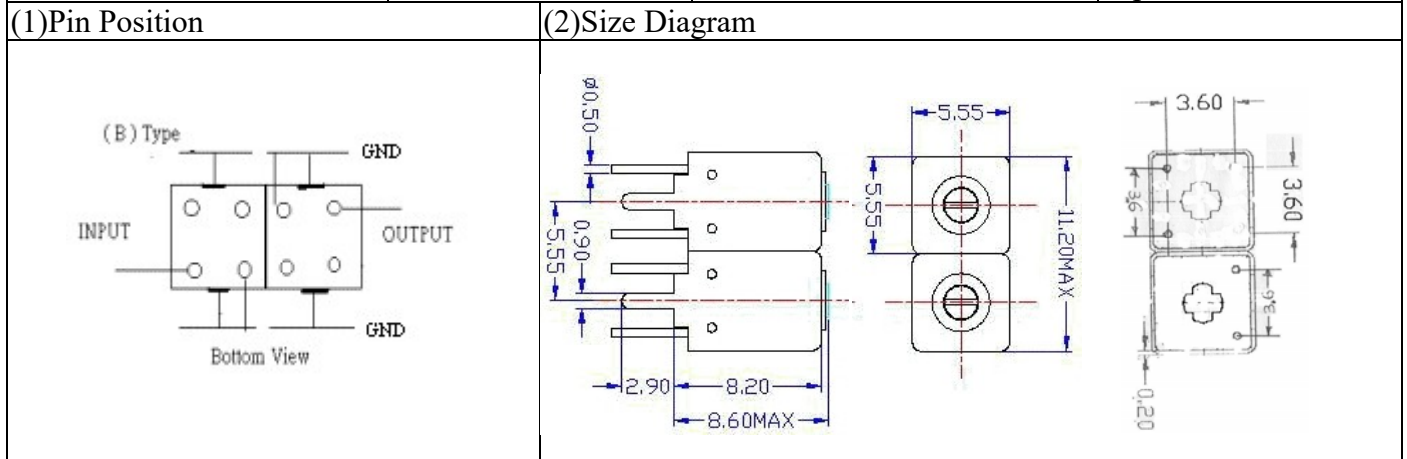


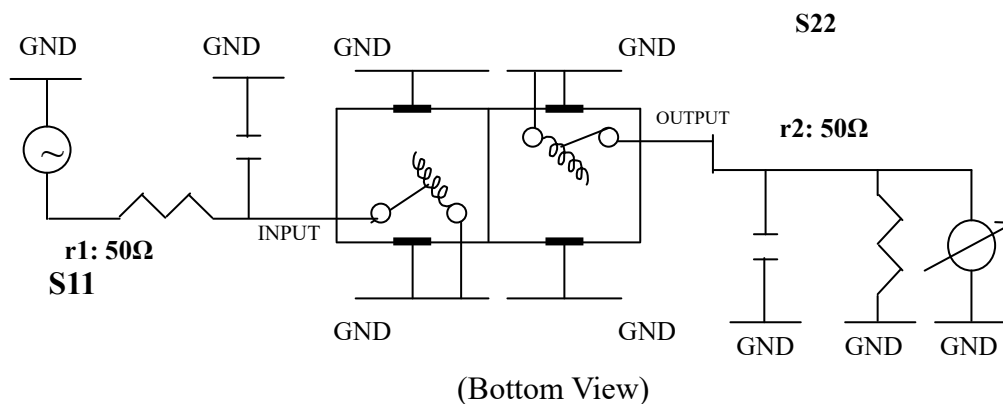
VHF UHF Helical Filter Specification Sheet

Customer Name		Temwell's Part No.	TDW21043B-460M
Approval No. /dated	201709042CD	Temwell's print Name.	21043B 460M
Work Instruction No.	201709042CD	Date	Sep18.2017



(3) Electric Characteristic			
Item	Specify	Performance	
Center Freq.(Fo) +/- 0.5 %	460 MHz	460 MHz	
Insertion Loss	Typ. 6.5 dB	5.6 dB	
-3 dB Bandwidth	Typ. 2 MHz	7.2 MHz	
Sensitivity (Attenuation)	Fo - 50 MHz	Typ. 35 dBc	40 dBc
	Fo + 50 MHz	Typ. 41 dBc	46 dBc
	Fo - ()MHz	Typ. dBc	dBc
	Fo + ()MHz	Typ. dBc	dBc
Return Loss	Min. 12 dB	39.7 dB	
Ripple	< 1 dB	dB	
Impedance	In / Out : 50 Ω	In / Out : 50 Ω	
(4) Torque for Tuning Screw			
		> 60gf · cm	
(5) Temperature Condition:			
Operating Temperature		0°C ~ +60°C	
Storage Temperature		-20°C ~ +70°C	
(6) Input Power		> 0.5Watt	

(7) Measuring Circuit: ※Easy to match Impedance 50Ω by parallel with about (- -)



Approval	Supervisor	Designer	Aperture size
C.Y.Chang	C.K.Chang	C.S.Chang	5W2S(3.8*3.5)(3.52) 5HW024RB3

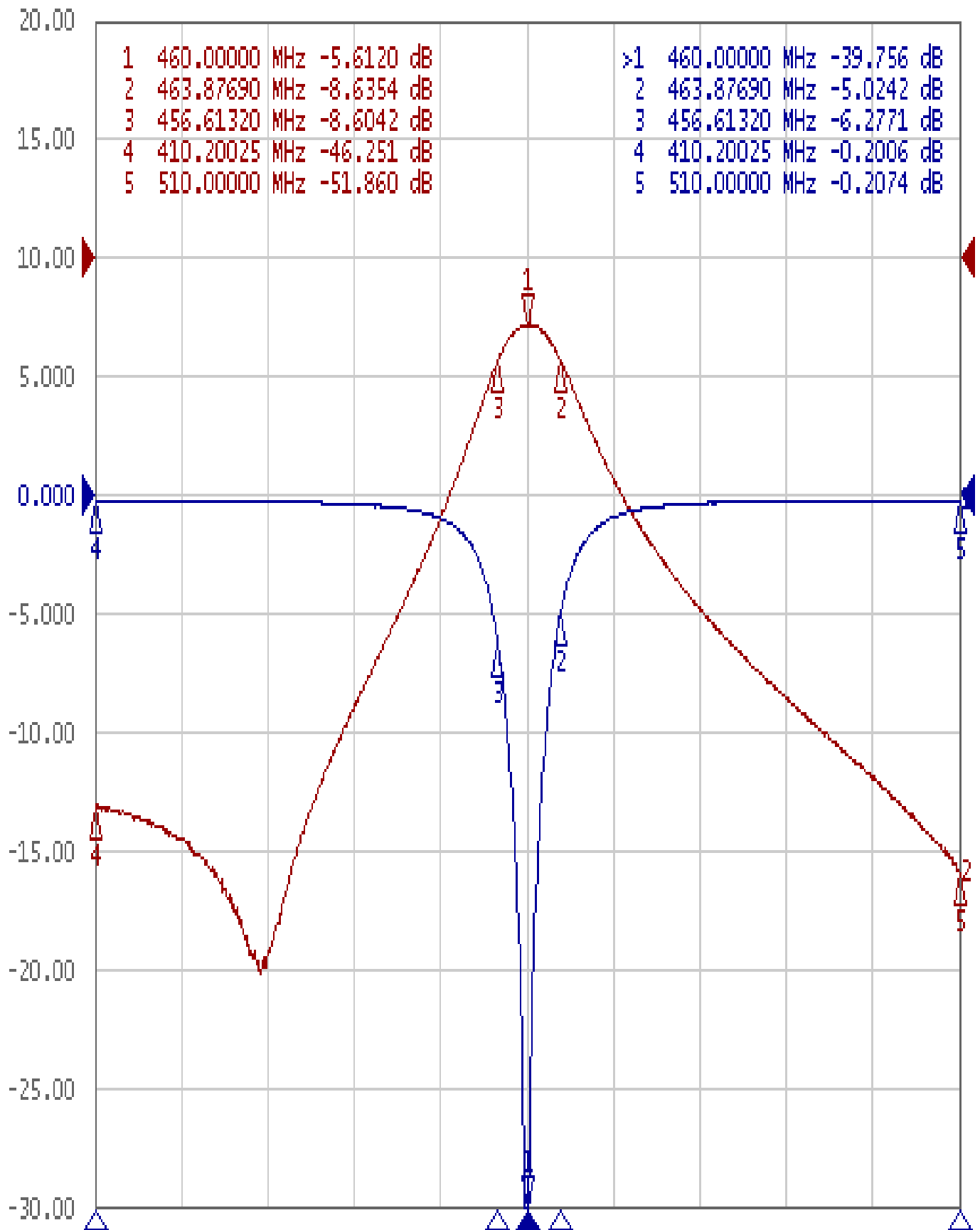
TEMWELL CORPORATION

Performance-TDW21043B-460M

201709042CD

Tr1 S11 Log Mag 5.000dB/ Ref 0.000dB [F2]

Tr2 S21 Log Mag 10.00dB/ Ref 0.000dB [F2]



1 Center 460 MHz

IFBW 70 kHz

Span 100 MHz Cor !