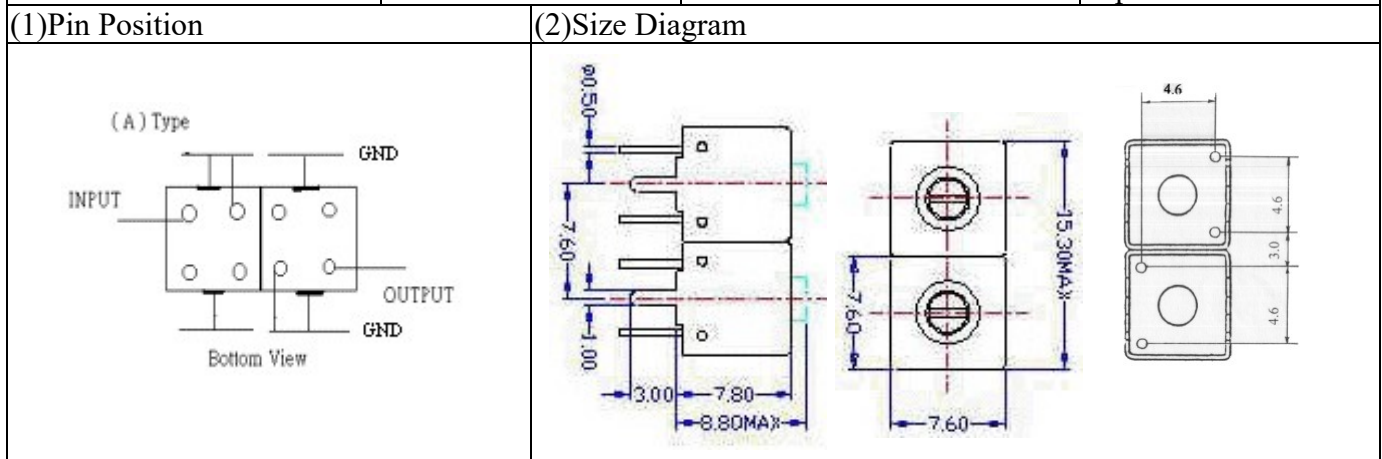


# VHF UHF Helical Filter Specification Sheet

Customer Name		Temwell's Part No.	TDS2433A-815M
Approval No. /dated	202107049CD	Temwell's Print name.	2433A 815M
Work Instruction No.	202107049CD	Date	Sep.16.2021



### (3) Electric Characteristic

Item	Specify	Performance	
Center Freq.(Fo) +/- 0.5 %	815 MHz	815 MHz	
Insertion Loss	Typ. 5.0 dB	3.73 dB	
-3 dB Bandwidth	Typ. 10 MHz	18.2 MHz	
Sensitivity (Attenuation)	Fo - 50 MHz	Typ. 22 dBc	27 dBc
	Fo +50 MHz	Typ. 20 dBc	25 dBc
	Fo - ( )MHz	Typ. dBc	dBc
	Fo +( )MHz	Typ. dBc	dBc
Return Loss	Min. 12 dB	23.1 dB	
Ripple	< 1 dB	dB	
Impedance	In / Out : 50 Ω	In / Out : 50 Ω	

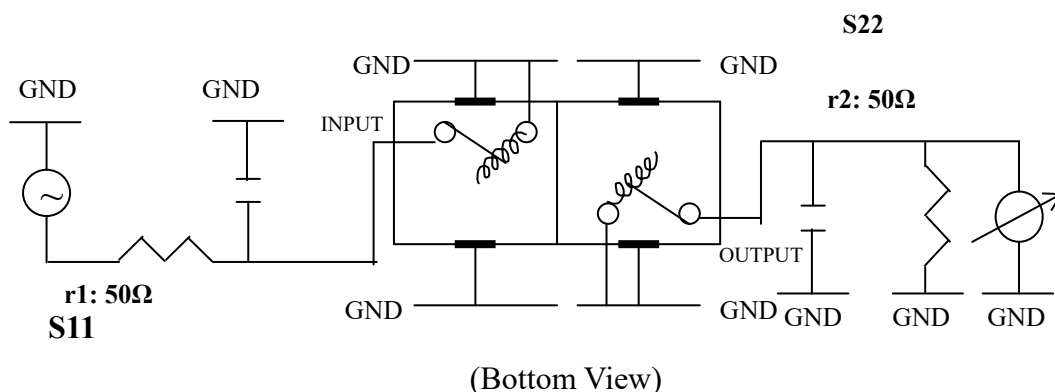
(4) Torque for Tuning Screw > 60gf · cm

### (5) Temperature Condition:

Operating Temperature	0°C ~ +60°C
Storage Temperature	-20°C ~ +70°C

(6) Input Power > 0.5Watt

(7) Measuring Circuit: ※Easy to match Impedance S11/S22 50Ω by parallel with about (- -)



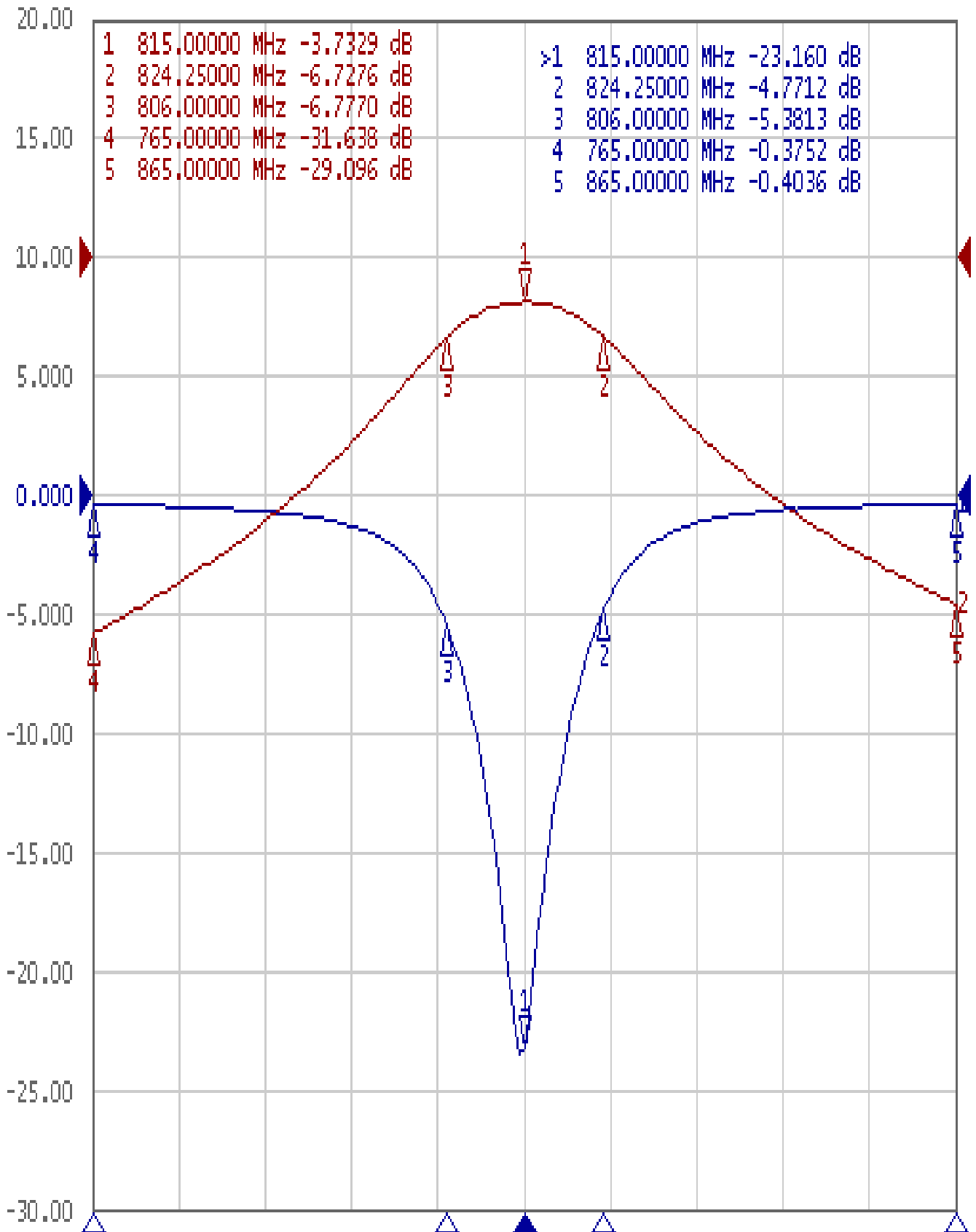
Approval C.C.Chang	Supervisor C.K.Chang	Designer W.H.Wang	Aperture size 7S2S(4*4.3)(4.33) 7S024LB5
-----------------------	-------------------------	----------------------	--

TEMWELL CORPORATION

# Performance- TDS2433A-815M

202107049CD

Tr1 S11 Log Mag 5.000dB/ Ref 0.000dB [F2]  
Tr2 S21 Log Mag 10.00dB/ Ref 0.000dB [F2]



1 Center 815 MHz

IFBW 70 kHz

Span 100 MHz

Cor !