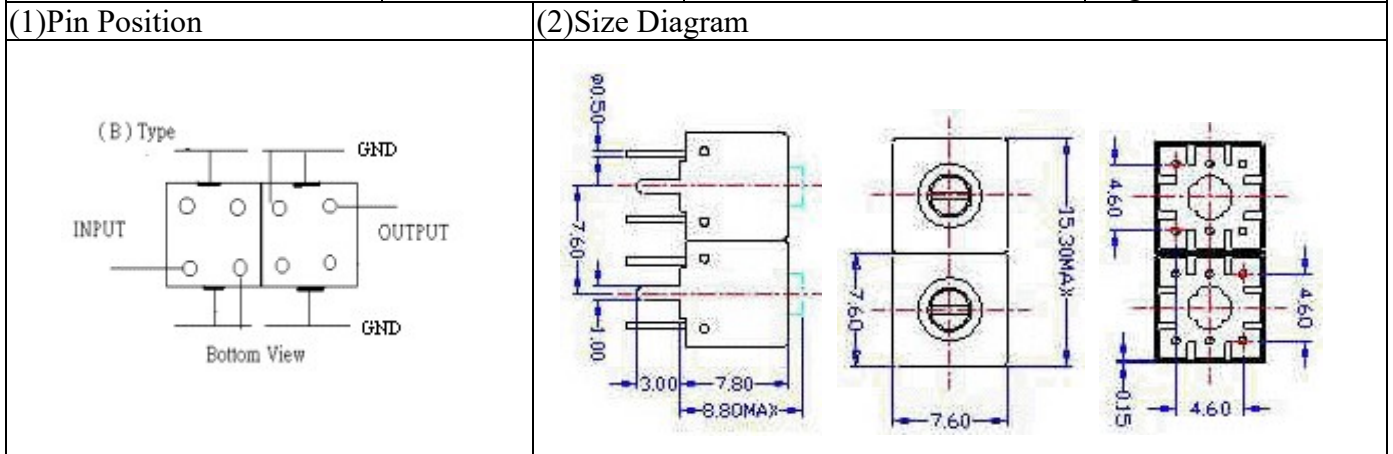


VHF UHF Helical Filter Specification Sheet

Customer Name		Temwell's Part No.	TDS2419B-675M
Approval No. /dated	202105044CD	Temwell's Print name.	2419B 675M
Work Instruction No.	202105044CD	Date	Aug.05.2021



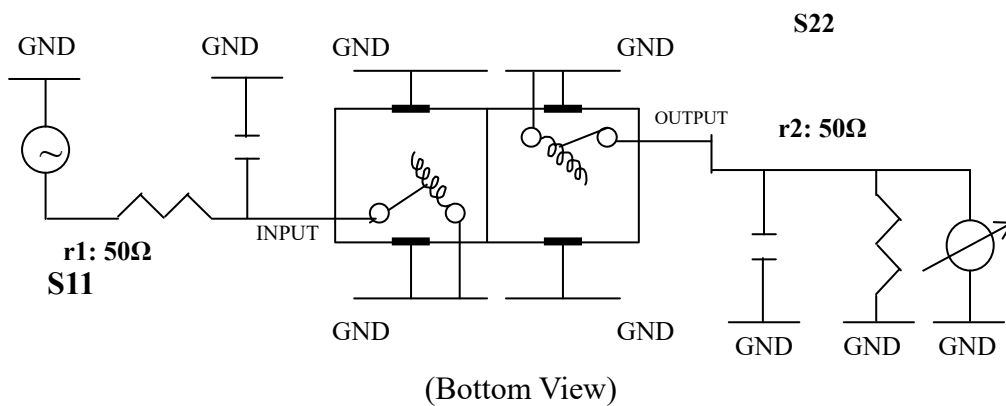
(3) Electric Characteristic		Item	Specify	Performance
		Center Freq.(Fo) +/- 0.5 %	675 MHz	675 MHz
		Insertion Loss	Typ. 2.5 dB	1.60 dB
		-3 dB Bandwidth	Typ. 34 MHz	37.7 MHz
Sensitivity (Attenuation)		Fo - 100 MHz	Typ. 29 dBc	34 dBc
		Fo +100 MHz	Typ. 22 dBc	27 dBc
		Fo - ()MHz	Typ. dBc	dBc
		Fo +()MHz	Typ. dBc	dBc
		Return Loss	Min. 12 dB	24.4 dB
		Ripple	< 1 dB	dB
		Impedance	In / Out : 50 Ω	In / Out : 50 Ω

(4) Torque for Tuning Screw > 60gf · cm

(5) Temperature Condition:	
Operating Temperature	0°C ~ +60°C
Storage Temperature	-20°C ~ +70°C

(6) Input Power > 0.5Watt

(7) Measuring Circuit: ※Easy to match Impedance S11/S22 50Ω by parallel with about (- -).



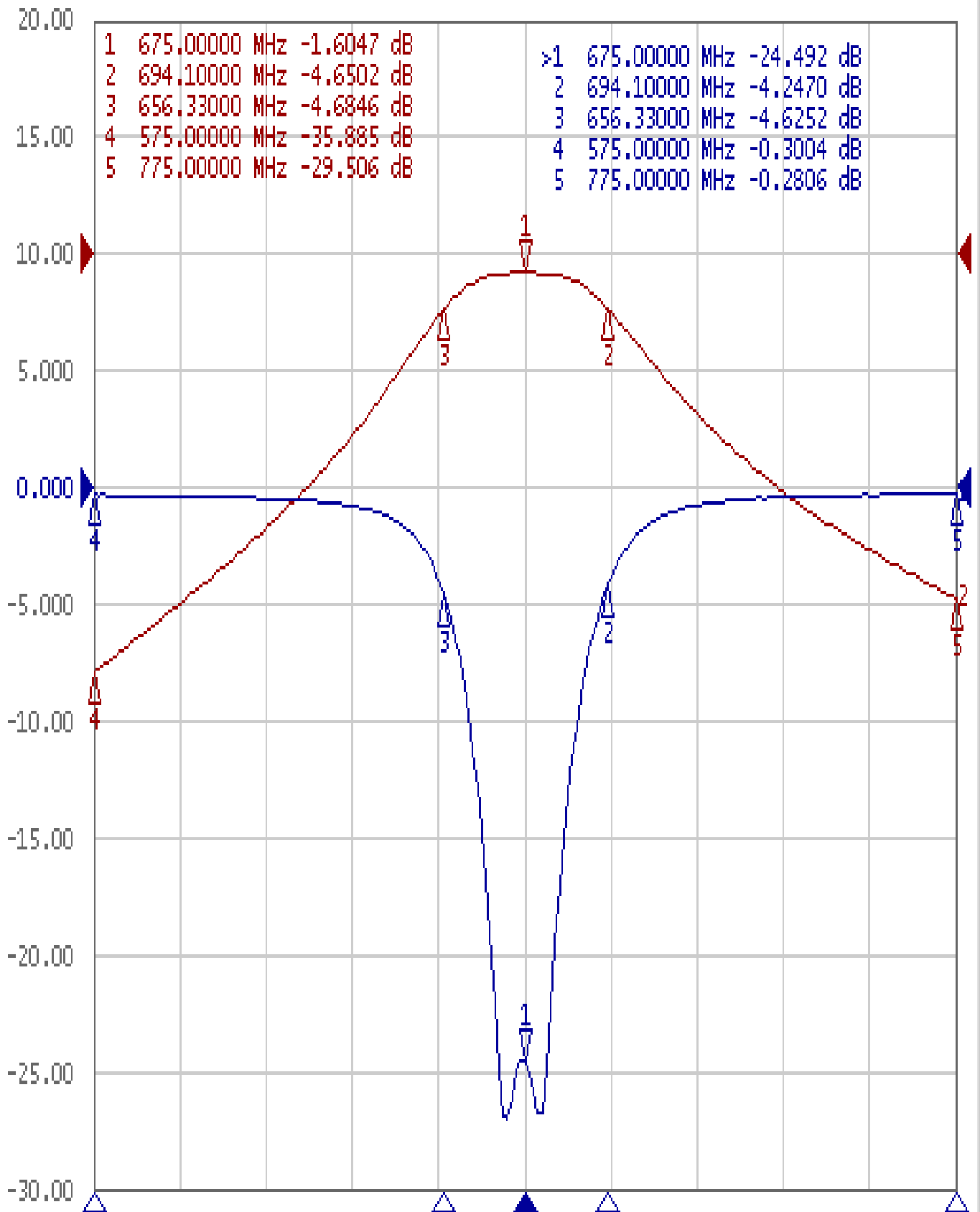
Approval	Supervisor	Designer	Aperture size
C.C.Chang	C.K.Chang	W.H.Wang	7S2S(4*4.3)(4.35) 7S024RB6

TEMWELL CORPORATION

Performance- TDS2419B-675M

202105044CD

▶ Tr1 S11 Log Mag 5.000dB/ Ref 0.000dB [F2]
Tr2 S21 Log Mag 10.00dB/ Ref 0.000dB [F2]



1 Center 675 MHz

IFBW 70 kHz

Span 200 MHz

Cor !