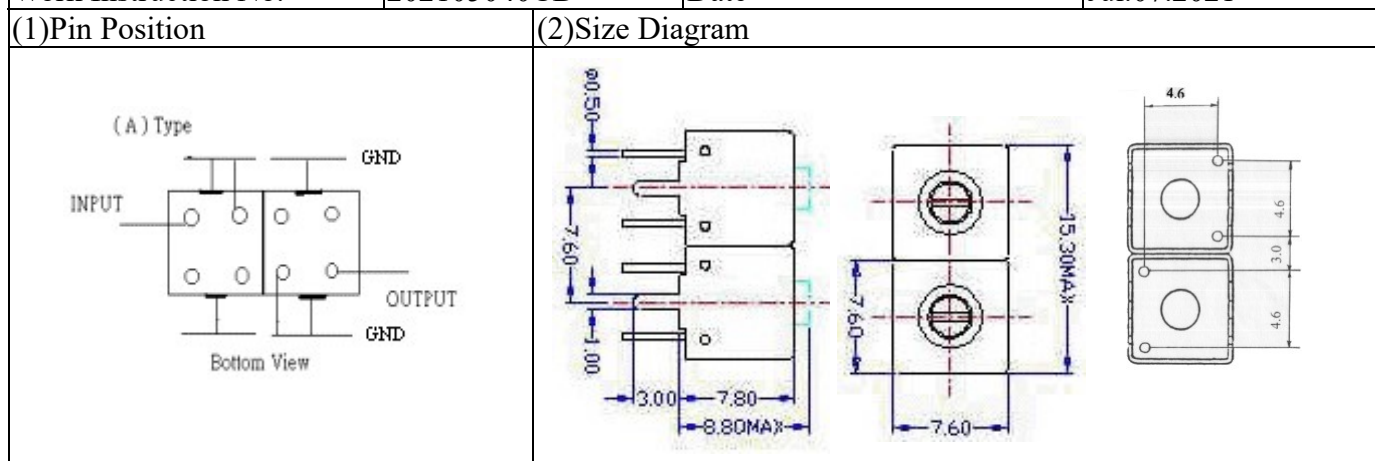


VHF UHF Helical Filter Specification Sheet

Customer Name		Temwell's Part No.	TDS2415A-620M
Approval No. /dated	202105040CD	Temwell's Print name.	2415A 620M
Work Instruction No.	202105040CD	Date	Jul.07.2021



(3)Electric Charasteric

Item	Specify	Performance	
Center Freq.(Fo) +/- 0.5 %	620 MHz	620 MHz	
Insertion Loss	Typ. 4.5 dB	3.42 dB	
-3 dB Bandwidth	Typ. 12 MHz	16.0 MHz	
Sensitivity (Attenuation)	Fo - 50 MHz	Typ. 26 dBc	31 dBc
	Fo +50 MHz	Typ. 23 dBc	28 dBc
	Fo - ()MHz	Typ. dBc	dBc
	Fo +()MHz	Typ. dBc	dBc
Return Loss	Min. 12 dB	33.9 dB	
Ripple	< 1 dB	dB	
Impedance	In / Out : 50 Ω	In / Out : 50 Ω	

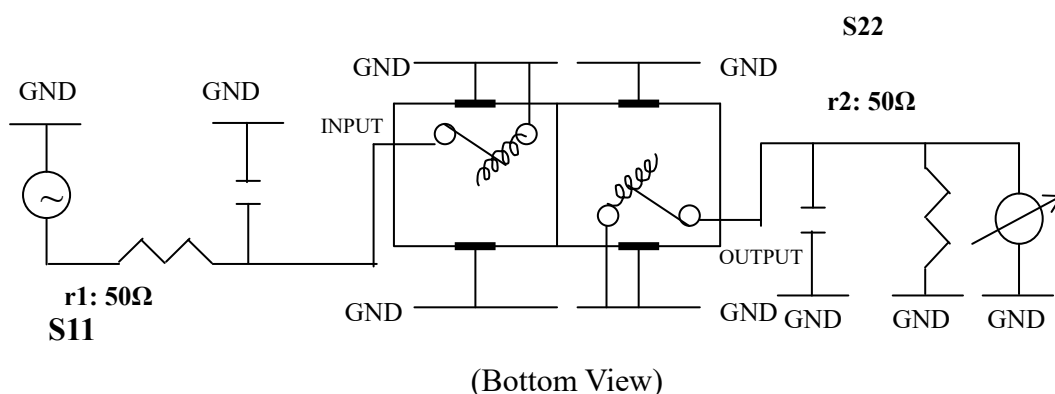
(4)Torque for Tuning Screw > 60gf • cm

(5)Temperature Condition:

Operating Temperature	0°C ~ +60°C
Storage Temperature	-20°C ~ +70°C

(6)Input Power > 0.5Watt

(7)Measuring Circuit: ※Easy to match Impedance S11/S22 50Ω by parallel with about (- -)



Approval C.C.Chang	Supervisor C.K.Chang	Designer M.Y.Kang	Aperture size 7S2S(4*4.3)(4.36) 7S024LB5
-----------------------	-------------------------	----------------------	--

TEMWELL CORPORATION

Performance- TDS2415A-620M

202105040CD

