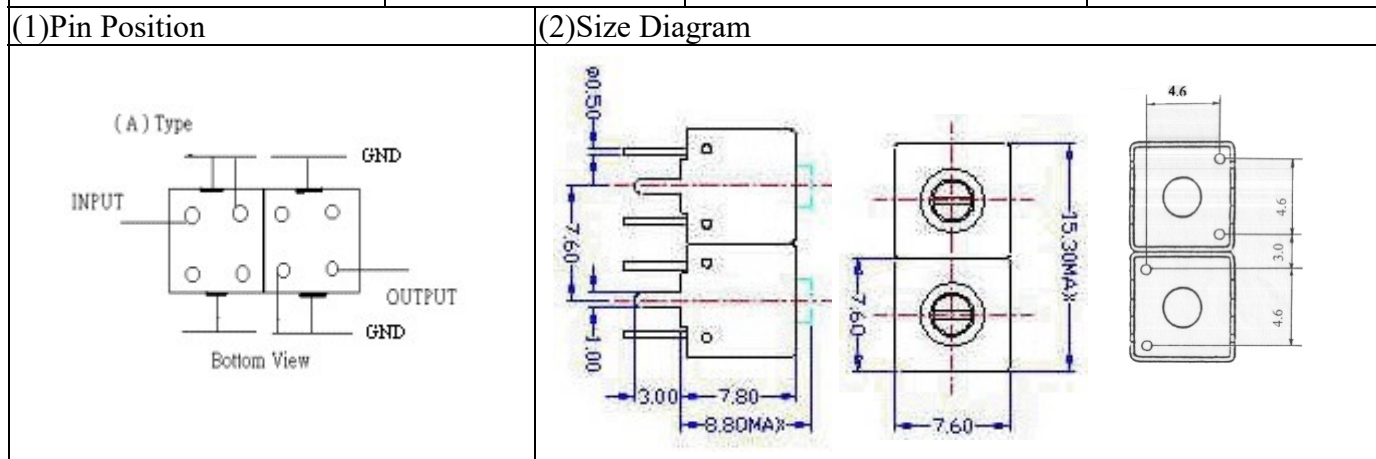


VHF UHF Helical Filter Specification Sheet

Customer Name		Temwell's Part No.	TDS2410A-610M
Approval No. /dated	202105035CD	Temwell's Print name.	2410A 610M
Work Instruction No.	202105035CD	Date	Jul.02.2021



(3)Electric Characteristic

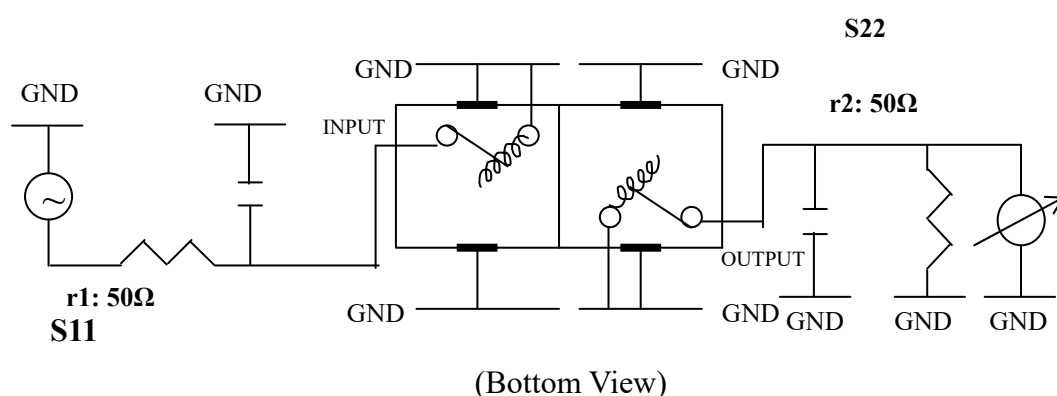
Item	Specify	Performance	
Center Freq.(Fo) +/- 0.5 %	610 MHz	610 MHz	
Insertion Loss	Typ. 7 dB	5.85 dB	
-3 dB Bandwidth	Typ. 5 MHz	9.7 MHz	
Sensitivity (Attenuation)	Fo - 50 MHz	Typ. 34 dBc	39 dBc
	Fo +50 MHz	Typ. 29 dBc	34 dBc
	Fo - ()MHz	Typ. dBc	dBc
	Fo +()MHz	Typ. dBc	dBc
Return Loss	Min. 12 dB	17.5 dB	
Ripple	< 1 dB	dB	
Impedance	In / Out : 50 Ω	In / Out : 50 Ω	
(4)Torque for Tuning Screw	> 60gf · cm		

(5)Temperature Condition:

Operating Temperature	0°C ~ +60°C
Storage Temperature	-20°C ~ +70°C

(6)Input Power

(7)Measuring Circuit: ※Easy to match Impedance 50Ω by parallel with about (- -)



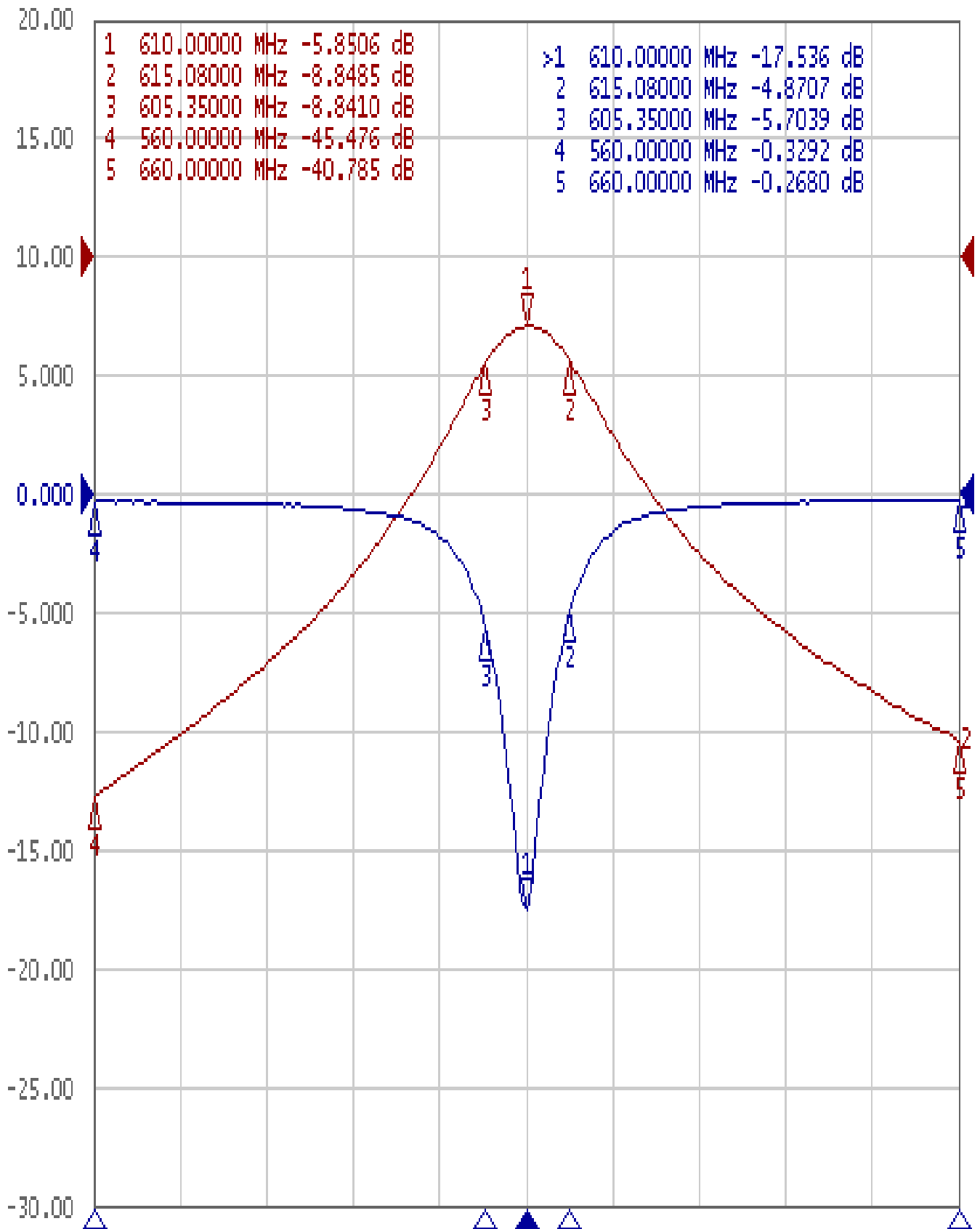
Approval	Supervisor	Designer	Aperture size
C.C.Chang	C.K.Chang	W.H.Wang	7S2S(4*3.3)(3.35) 7S024LB5

TEMWELL CORPORATION

Performance- TDS2410A-610M

202105035CD

Tr1 S11 Log Mag 5.000dB/ Ref 0.000dB [F2]
Tr2 S21 Log Mag 10.00dB/ Ref 0.000dB [F2]



1 Center 610 MHz

IFBW 70 kHz

Span 100 MHz Cor !