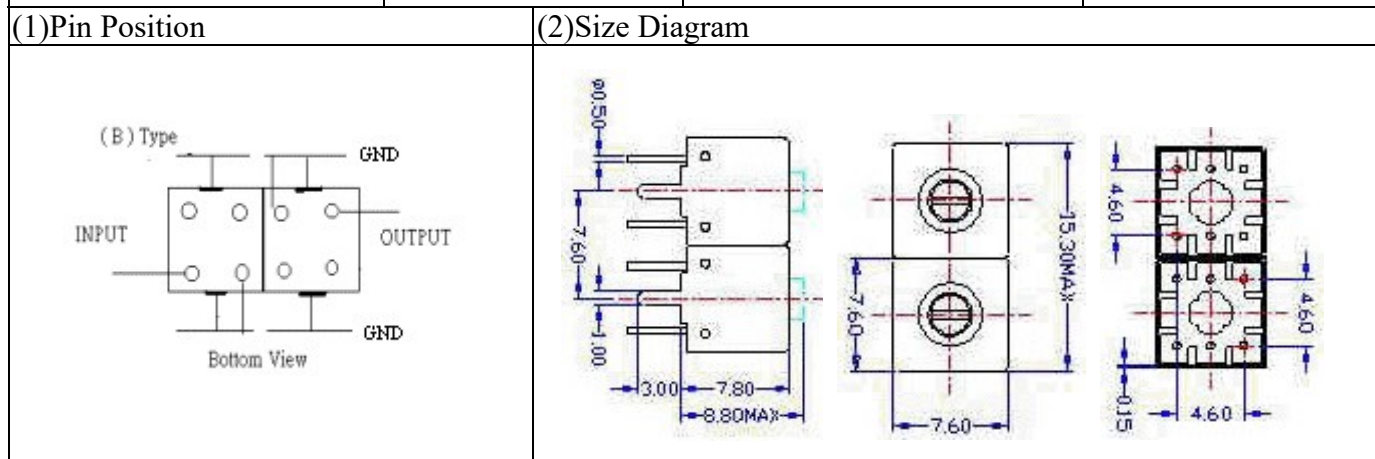


VHF UHF Helical Filter Specification Sheet

| | | | |
|----------------------|-------------|-----------------------|---------------|
| Customer Name | | Temwell's Part No. | TDS2408B-585M |
| Approval No. /dated | 202105033CD | Temwell's Print name. | 2408B 585M |
| Work Instruction No. | 202105033CD | Date | Jul.01.2021 |



(3) Electric Characteristic

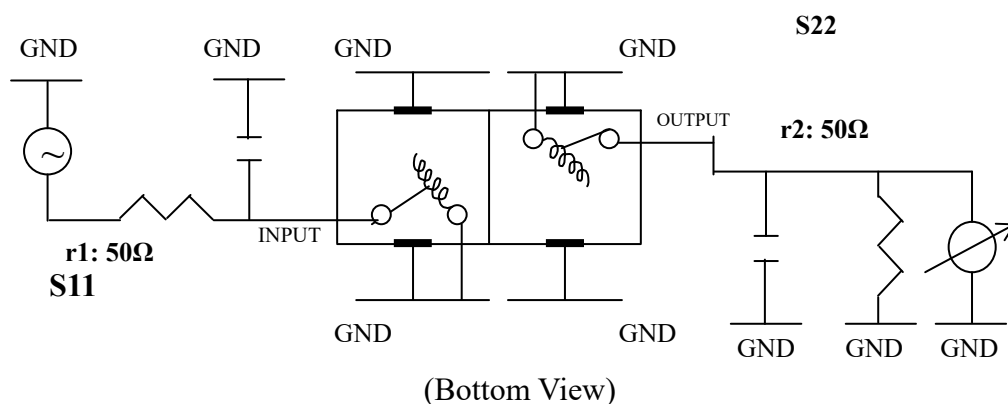
| Item | Specify | Performance | |
|------------------------------|-----------------|-----------------|--------|
| Center Freq.(Fo) +/- 0.5 % | 585 MHz | 585 MHz | |
| Insertion Loss | Typ. 2.5 dB | 1.78 dB | |
| -3 dB Bandwidth | Typ. 40 MHz | 42.3 MHz | |
| Sensitivity (Attenuation) | Fo - 100 MHz | Typ. 26 dBc | 31 dBc |
| | Fo +100 MHz | Typ. 18 dBc | 23 dBc |
| | Fo - ()MHz | Typ. dBc | dBc |
| | Fo +()MHz | Typ. dBc | dBc |
| Return Loss | Min. 12 dB | 24.4 dB | |
| Ripple | < 1 dB | dB | |
| Impedance | In / Out : 50 Ω | In / Out : 50 Ω | |
| (4) Torque for Tuning Screw | > 60gf · cm | | |

(5) Temperature Condition:

| | |
|-----------------------|---------------|
| Operating Temperature | 0°C ~ +60°C |
| Storage Temperature | -20°C ~ +70°C |

(6) Input Power > 0.5Watt

(7) Measuring Circuit: ※Easy to match Impedance S11/S22 50Ω by parallel with about (- -).



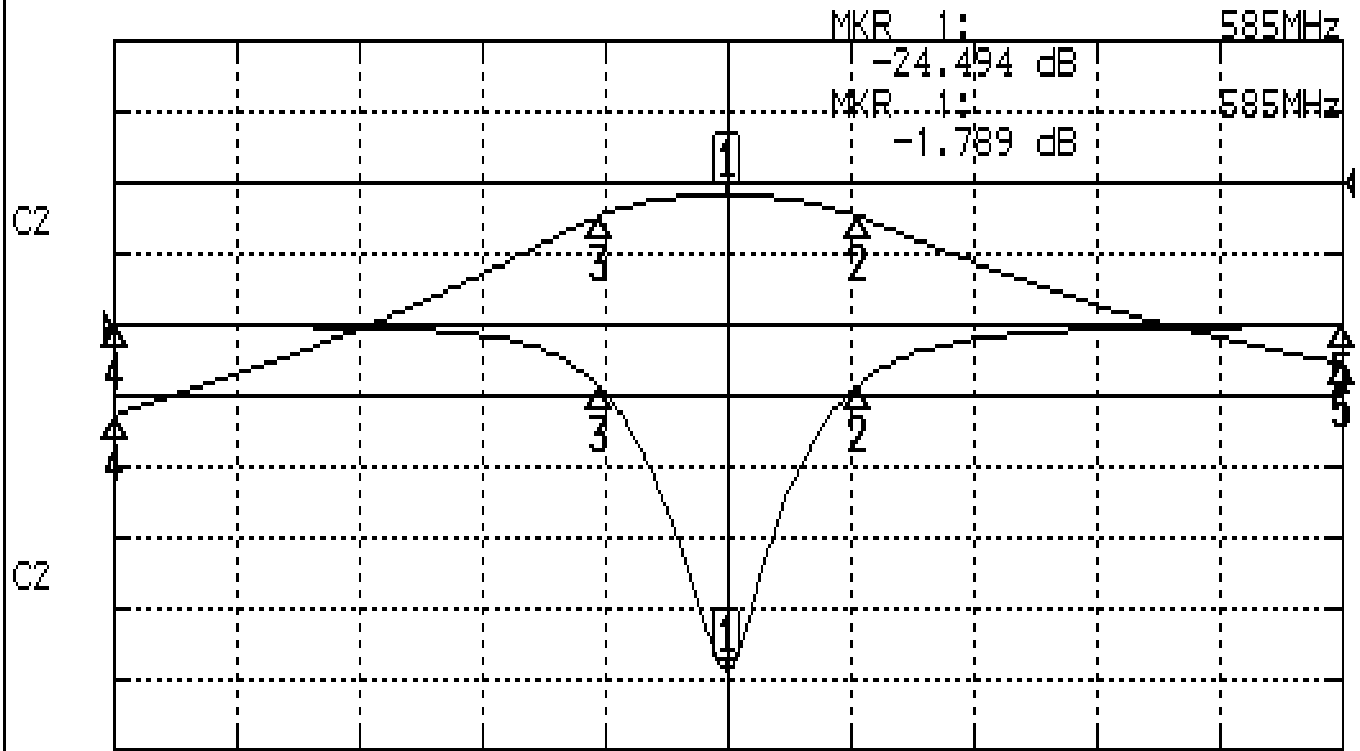
| | | | |
|-----------|------------|----------|-------------------------------|
| Approval | Supervisor | Designer | Aperture size |
| C.C.Chang | C.K.Chang | C.H.Yeh | 7S2S(4*5.1)(5.14) 7S024RB6 |

TEMWELL CORPORATION

Performance- TDS2408B-585M

202105033CD

CH1 S11 LOG MAG REF 0.000 dB 5.000 dB/
CH2 S21 LOG MAG REF 0.000 dB 10.000 dB/



CENTER 585MHz

[10.00 dBm]

SPAN 200MHz

CH1 MARKER LIST

| | | |
|----|------------|------------|
| 1: | 585.000MHz | -24.494 dB |
| 2: | 606.333MHz | -4.282 dB |
| 3: | 564.000MHz | -4.387 dB |
| 4: | 485.000MHz | -0.027 dB |
| 5: | 685.000MHz | -0.088 dB |

CH2 MARKER LIST

| | | |
|----|------------|------------|
| 1: | 585.000MHz | -1.789 dB |
| 2: | 606.333MHz | -4.785 dB |
| 3: | 564.000MHz | -4.736 dB |
| 4: | 485.000MHz | -32.726 dB |
| 5: | 685.000MHz | -25.466 dB |