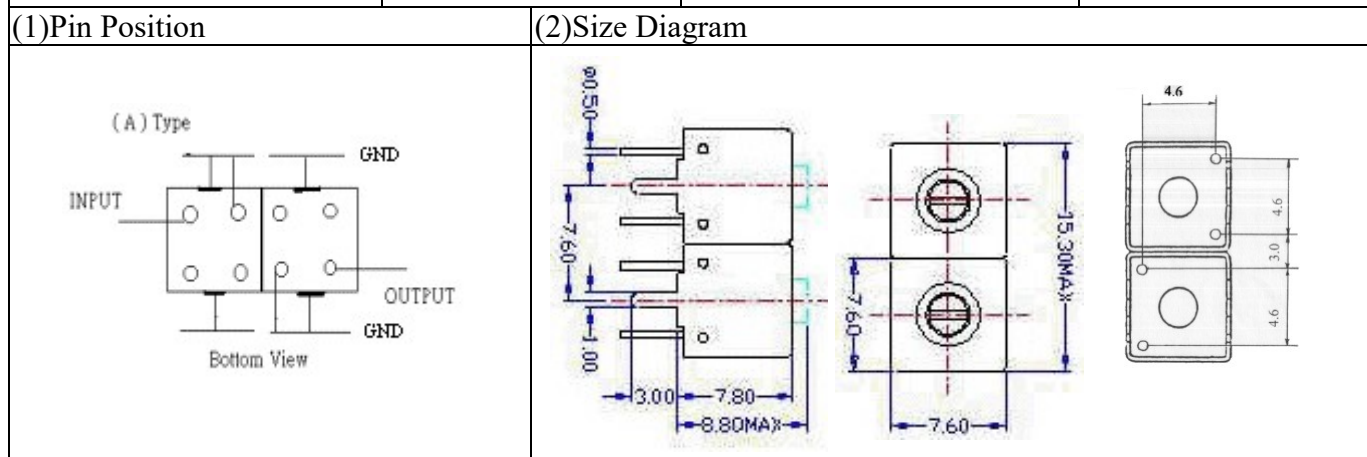


# VHF UHF Helical Filter Specification Sheet

Customer Name		Temwell's Part No.	TDS2405A-580M
Approval No. /dated	202105030CD	Temwell's Print name.	2405A 580M
Work Instruction No.	202105030CD	Date	Jul.02.2021



### (3) Electric Characteristic

Item	Specify	Performance	
Center Freq.(Fo) +/- 0.5 %	580 MHz	580 MHz	
Insertion Loss	Typ. 5.5 dB	4.26 dB	
-3 dB Bandwidth	Typ. 8 MHz	12.6 MHz	
Sensitivity (Attenuation)	Fo - 50 MHz	Typ. 30 dBc	35 dBc
	Fo +50 MHz	Typ. 26 dBc	31 dBc
	Fo - ( )MHz	Typ. dBc	dBc
	Fo +( )MHz	Typ. dBc	dBc
Return Loss	Min. 12 dB	34.3 dB	
Ripple	< 1 dB	dB	
Impedance	In / Out : 50 Ω	In / Out : 50 Ω	

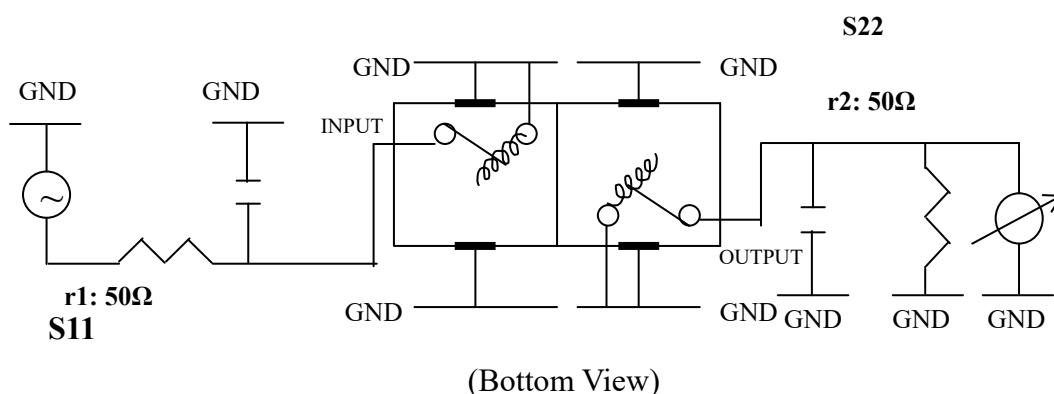
(4) Torque for Tuning Screw > 60gf · cm

### (5) Temperature Condition:

Operating Temperature	0°C ~ +60°C
Storage Temperature	-20°C ~ +70°C

(6) Input Power > 0.5Watt

(7) Measuring Circuit: ※Easy to match Impedance 50Ω by parallel with about (- -)



Approval	Supervisor	Designer	Aperture size
C.C.Chang	C.K.Chang	M.Y.Kang	7S2S(4*4.3)(4.36) 7S024LB5

TEMWELL CORPORATION

TEMWELL Form10-7S2A Vision D RP(M.Y)

# Performance- TDS2405A-580M

## 202105030CD

Tr1 S11 Log Mag 5.000dB/ Ref 0.000dB [F2]  
Tr2 S21 Log Mag 10.00dB/ Ref 0.000dB [F2]

