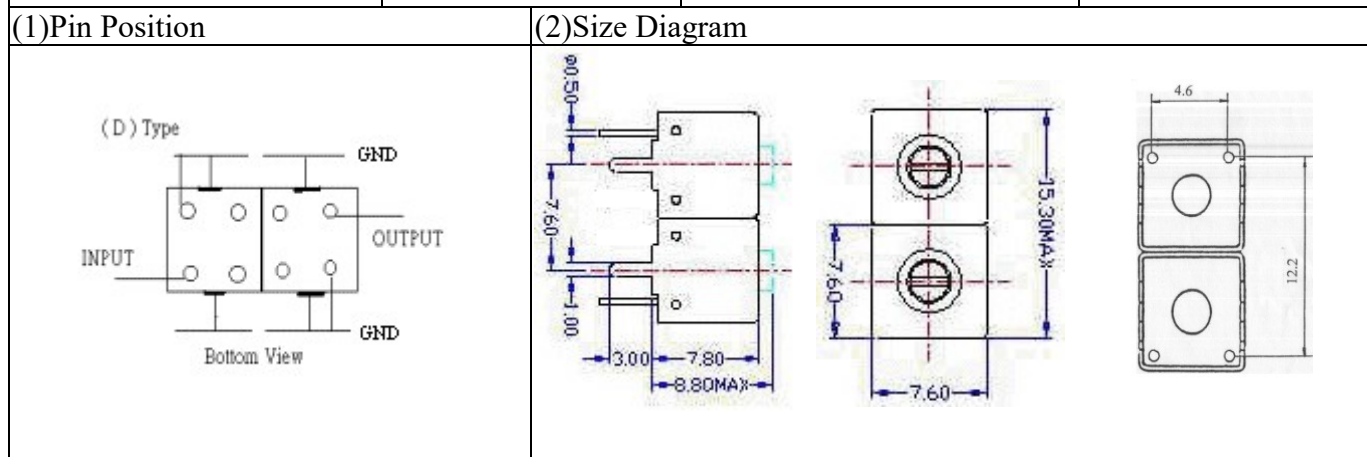


VHF UHF Helical Filter Specification Sheet

Customer Name		Temwell's Part No.	TDS2404D-530M
Approval No. /dated	202105029CD	Temwell's Print name.	2404D 530M
Work Instruction No.	202105029CD	Date	Jul.02.2021



(3) Electric Characteristic

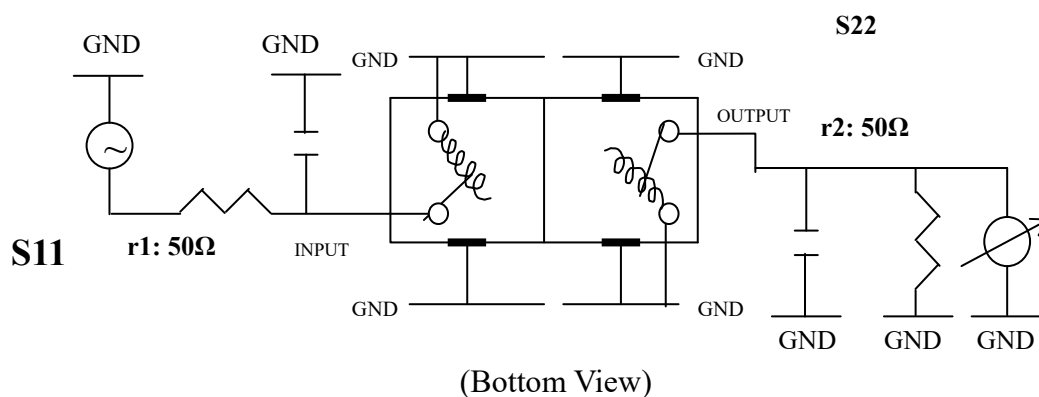
Item	Specify	Performance	
Center Freq.(Fo) +/- 0.5 %	530 MHz	530 MHz	
Insertion Loss	Typ. 3.0 dB	1.84 dB	
-3 dB Bandwidth	Typ. 25 MHz	28.8 MHz	
Sensitivity (Attenuation)	Fo - 100 MHz	Typ. 16 dBc	21 dBc
	Fo + 100 MHz	Typ. 38 dBc	43 dBc
	Fo - ()MHz	Typ. dBc	dBc
	Fo + ()MHz	Typ. dBc	dBc
Return Loss	Min. 12 dB	23.8 dB	
Ripple	< 1 dB	dB	
Impedance	In / Out : 50 Ω	In / Out : 50 Ω	
(4) Torque for Tuning Screw	> 60gf · cm		

(5) Temperature Condition:

Operating Temperature	0°C ~ +60°C
Storage Temperature	-20°C ~ +70°C

(6) Input Power

(7) Measuring Circuit: ※Easy to match Impedance S11/S22 50Ω by parallel with about (- -)



Approval	Supervisor	Designer	Aperture size
C.C.Chang	C.K.Chang	M.Y.Kang	7S2S(4*4.3)(4.36) 7S024RB6 (J1)

TEMWELL CORPORATION

Performance- TDS2404D-530M

202105029CD

