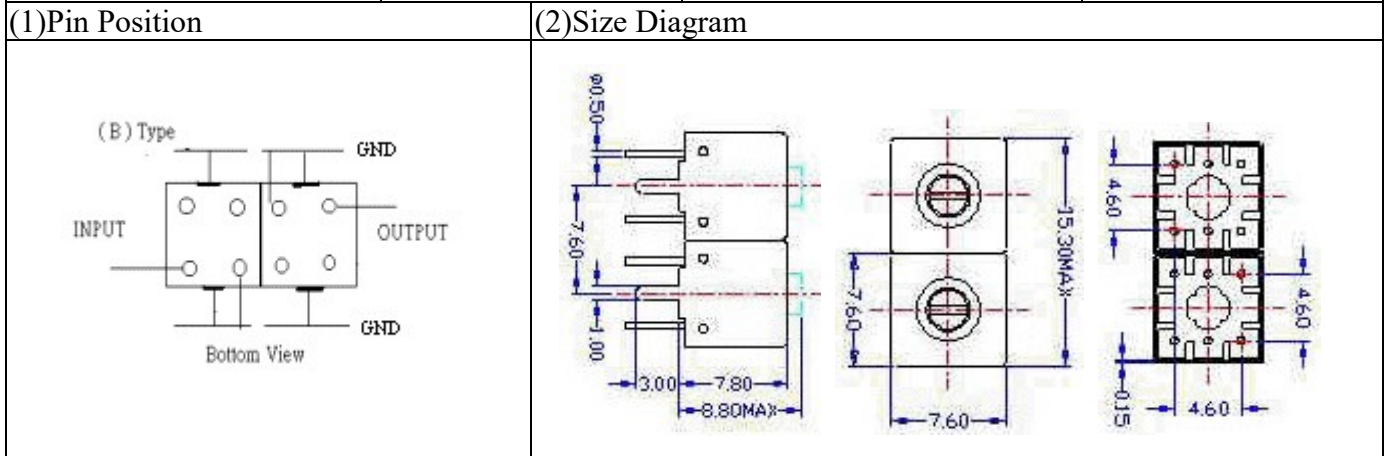


VHF UHF Helical Filter Specification Sheet

Customer Name		Temwell's Part No.	TDS2403B-550M
Approval No. /dated	202105028CD	Temwell's Print name.	2403B 550M
Work Instruction No.	202105028CD	Date	Jun.30.2021



(3) Electric Characteristic

Item	Specify	Performance	
Center Freq.(Fo) +/- 0.5 %	550 MHz	550 MHz	
Insertion Loss	Typ. 3.0 dB	2.19 dB	
-3 dB Bandwidth	Typ. 20 MHz	25.1 MHz	
Sensitivity (Attenuation)	Fo - 50 MHz	Typ. 19 dBc	24 dBc
	Fo +50 MHz	Typ. 16 dBc	21 dBc
	Fo - ()MHz	Typ. dBc	dBc
	Fo +()MHz	Typ. dBc	dBc
Return Loss	Min. 12 dB	22.2 dB	
Ripple	< 1 dB	dB	
Impedance	In / Out : 50 Ω	In / Out : 50 Ω	

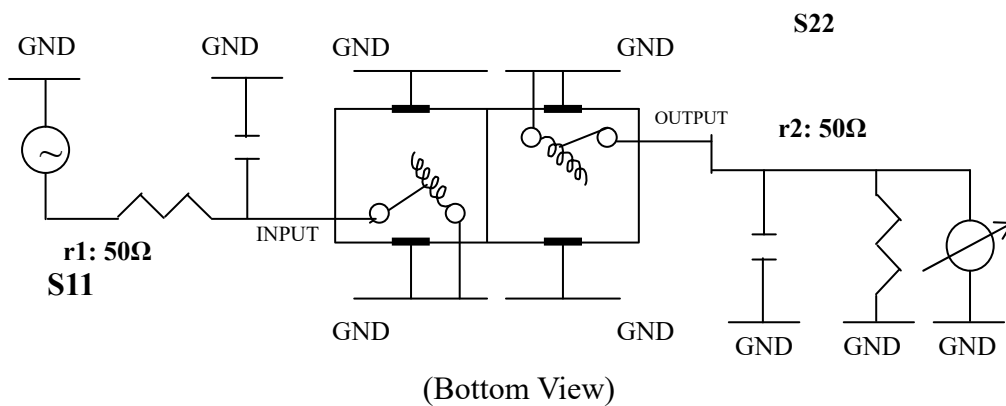
(4) Torque for Tuning Screw > 60gf · cm

(5) Temperature Condition:

Operating Temperature	0°C ~ +60°C
Storage Temperature	-20°C ~ +70°C

(6) Input Power > 0.5Watt

(7) Measuring Circuit: ※Easy to match Impedance S11/S22 50Ω by parallel with about (- -).



Approval	Supervisor	Designer	Aperture size
C.C.Chang	C.K.Chang	M.Y.Kang	7S2S(4*4.3)(4.36) 7S024RB6

TEMWELL CORPORATION

Performance- TDS2403B-550M

202105028CD

