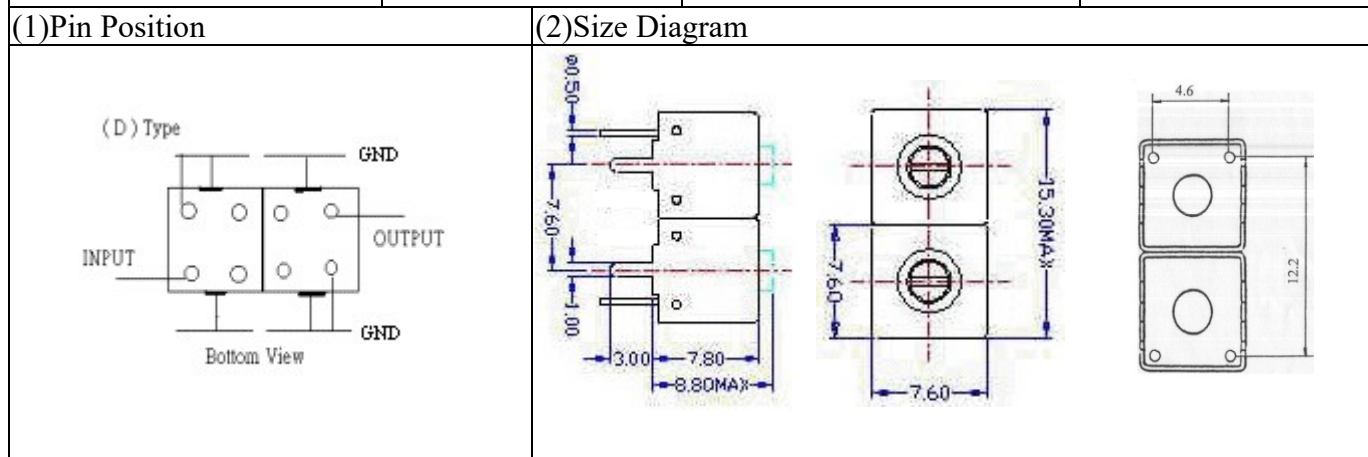


VHF UHF Helical Filter Specification Sheet

| | | | |
|----------------------|-------------|-----------------------|---------------|
| Customer Name | | Temwell's Part No. | TDS2402D-530M |
| Approval No. /dated | 202105027CD | Temwell's Print name. | 2402D 530M |
| Work Instruction No. | 202105027CD | Date | Jun.17.2021 |



(3) Electric Characteristic

| Item | Specify | Performance | |
|------------------------------|-----------------|-----------------|--------|
| Center Freq.(Fo) +/- 0.5 % | 530 MHz | 530 MHz | |
| Insertion Loss | Typ. 3.5 dB | 2.70 dB | |
| -3 dB Bandwidth | Typ. 15 MHz | 16.7 MHz | |
| Sensitivity (Attenuation) | Fo - 50 MHz | Typ. 26 dBc | 31 dBc |
| | Fo + 50 MHz | Typ. 19 dBc | 24 dBc |
| | Fo - ()MHz | Typ. dBc | dBc |
| | Fo + ()MHz | Typ. dBc | dBc |
| Return Loss | Min. 12 dB | 24.5 dB | |
| Ripple | < 1 dB | dB | |
| Impedance | In / Out : 50 Ω | In / Out : 50 Ω | |

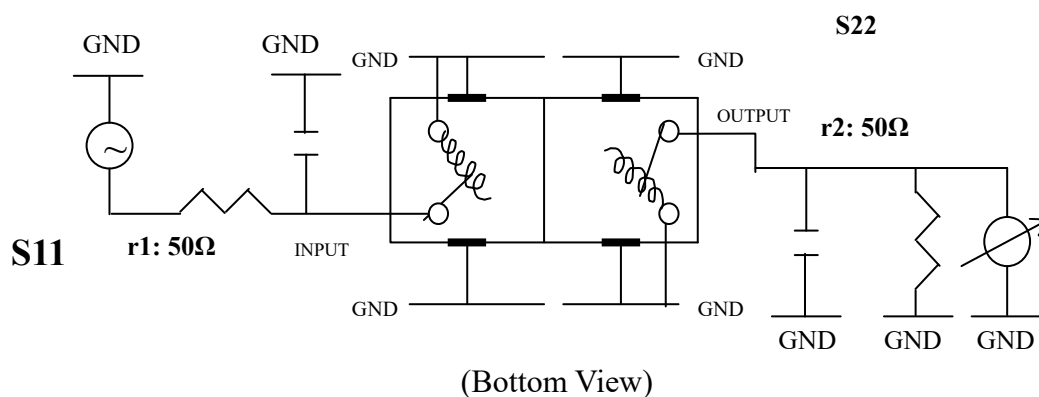
(4) Torque for Tuning Screw > 60gf · cm

(5) Temperature Condition:

| | |
|-----------------------|---------------|
| Operating Temperature | 0°C ~ +60°C |
| Storage Temperature | -20°C ~ +70°C |

(6) Input Power > 0.5Watt

(7) Measuring Circuit: ※Easy to match Impedance S11/S22 50Ω by parallel with about (- -)



| | | | |
|-----------|------------|----------|-------------------------------|
| Approval | Supervisor | Designer | Aperture size |
| C.C.Chang | C.K.Chang | C.H.Yeh | 7S2S(4*4.3)(4.37) 7S024LB5 |

TEMWELL CORPORATION

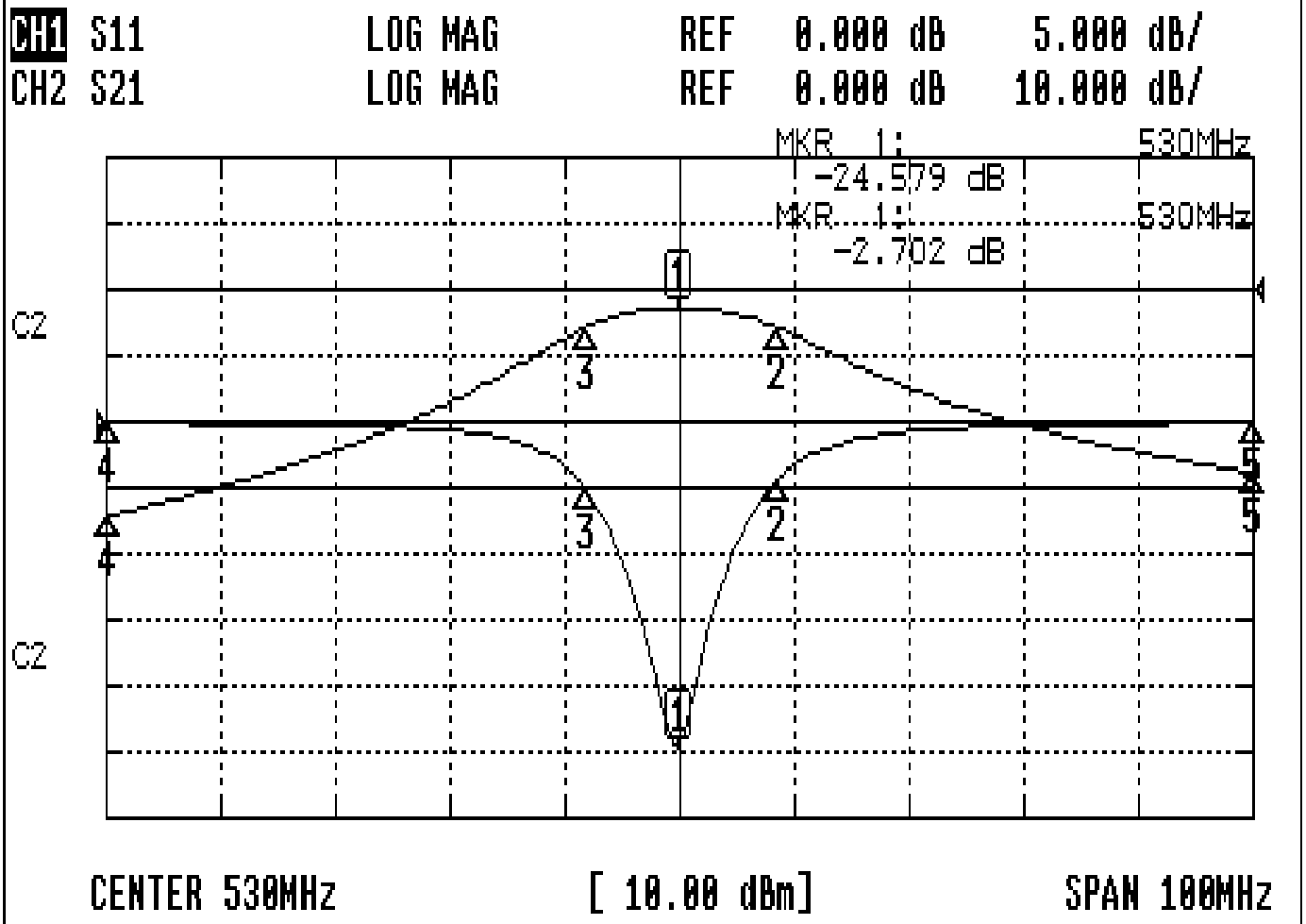
TEMWELL

Form10-7S2D Vision RD

RP(C.H.Y)

Performance- TDS2402D-530M

202105027CD



CH1 MARKER LIST

| | | |
|---|------------|------------|
| 1 | 530.000MHz | -24.581 dB |
| 2 | 538.583MHz | -4.442 dB |
| 3 | 521.833MHz | -5.082 dB |
| 4 | 480.000MHz | -0.112 dB |
| 5 | 580.000MHz | -0.108 dB |

CH2 MARKER LIST

| | | |
|---|------------|------------|
| 1 | 530.000MHz | -2.702 dB |
| 2 | 538.583MHz | -1.786 dB |
| 3 | 521.833MHz | -1.721 dB |
| 4 | 480.000MHz | -34.286 dB |
| 5 | 580.000MHz | -27.634 dB |