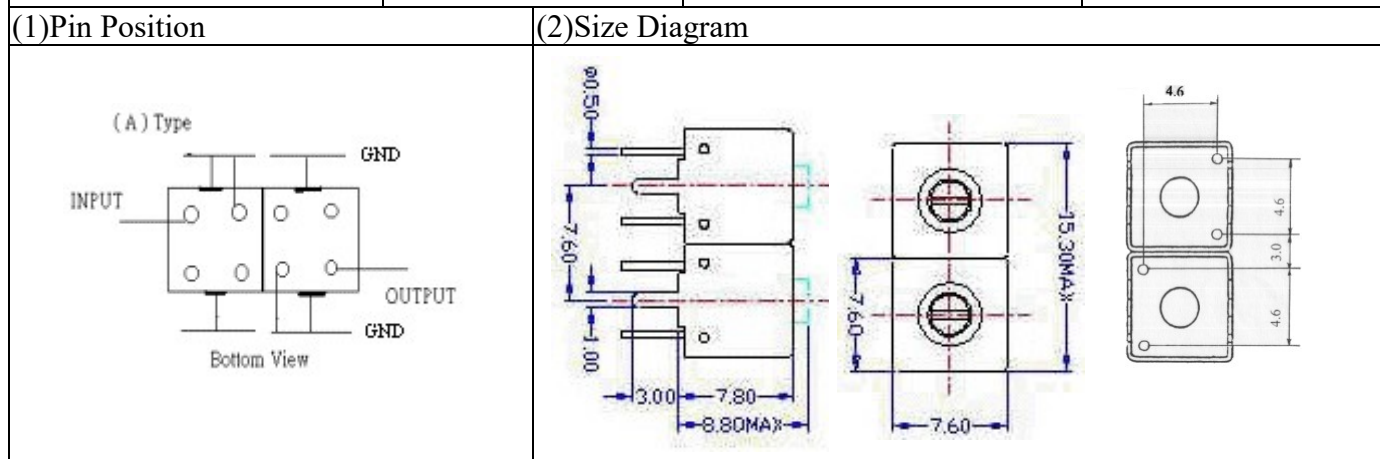


VHF UHF Helical Filter Specification Sheet

Customer Name		Temwell's Part No.	TDS2401A-530M
Approval No. /dated	202105026CD	Temwell's Print name.	2401A 530M
Work Instruction No.	202105026CD	Date	Jun.28.2021



(3)Electric Charasteric

Item	Specify	Performance	
Center Freq.(Fo) +/- 0.5 %	530 MHz	530 MHz	
Insertion Loss	Typ. 3.5 dB	2.51 dB	
-3 dB Bandwidth	Typ. 15 MHz	16.9 MHz	
Sensitivity (Attenuation)	Fo - 50 MHz	Typ. 28 dBc	33 dBc
	Fo +50 MHz	Typ. 22 dBc	27 dBc
	Fo - ()MHz	Typ. dBc	dBc
	Fo +()MHz	Typ. dBc	dBc
Return Loss	Min. 12 dB	28.5 dB	
Ripple	< 1 dB	dB	
Impedance	In / Out : 50 Ω	In / Out : 50 Ω	

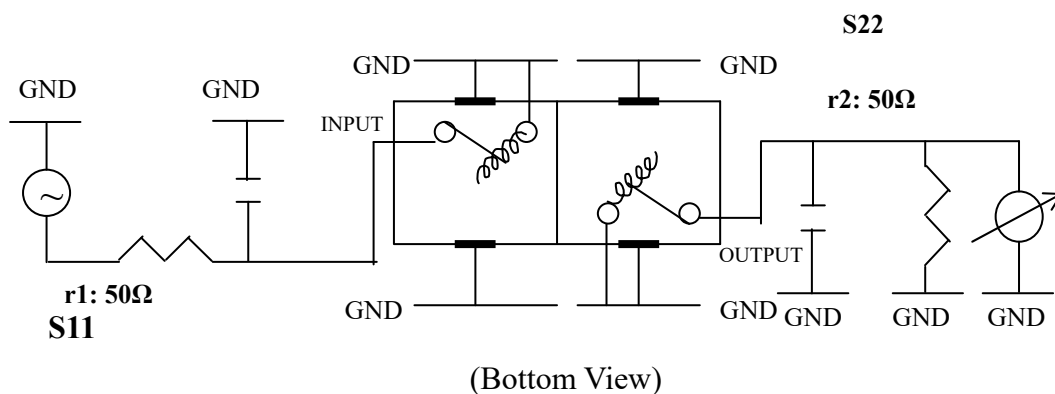
(4)Torque for Tuning Screw > 60gf • cm

(5)Temperature Condition:

Operating Temperature	0°C ~ +60°C
Storage Temperature	-20°C ~ +70°C

(6)Input Power > 0.5Watt

(7)Measuring Circuit: ※Easy to match Impedance 50Ω by parallel with about (- -)



Approval	Supervisor	Designer	Aperture size
C.C.Chang	C.K.Chang	C.H.Yeh	7S2S(4*4.3)(4.36) 7S024LB5

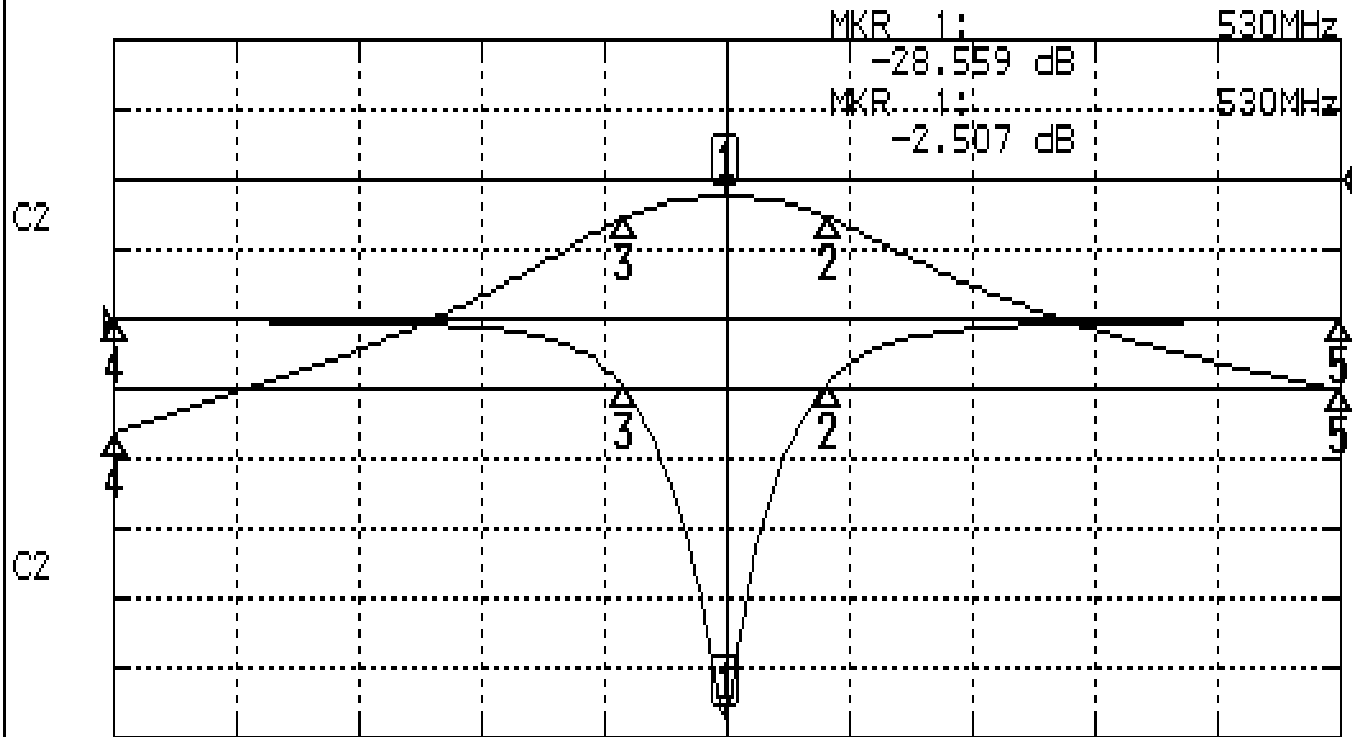
TEMWELL CORPORATION

TEMWELL Form10-7S2A Vision D RD RP(C.H.Y)

Performance- TDS2401A-530M

202105026CD

CH1 S11 LOG MAG REF 0.000 dB 5.000 dB/
CH2 S21 LOG MAG REF 0.000 dB 10.000 dB/



CENTER 530MHz

[10.00 dBm]

SPAN 100MHz

CH1 MARKER LIST

1:	530.000MHz	-28.559 dB
2:	538.450MHz	-4.454 dB
3:	521.550MHz	-4.823 dB
4:	480.000MHz	-0.081 dB
5:	580.000MHz	-0.070 dB
6:		
7:		
8:		
9:		
10:		

CH2 MARKER LIST

1:	530.000MHz	-2.510 dB
2:	538.450MHz	-15.533 dB
3:	521.550MHz	-15.526 dB
4:	480.000MHz	-36.232 dB
5:	580.000MHz	-30.180 dB
6:		
7:		
8:		
9:		
10:		