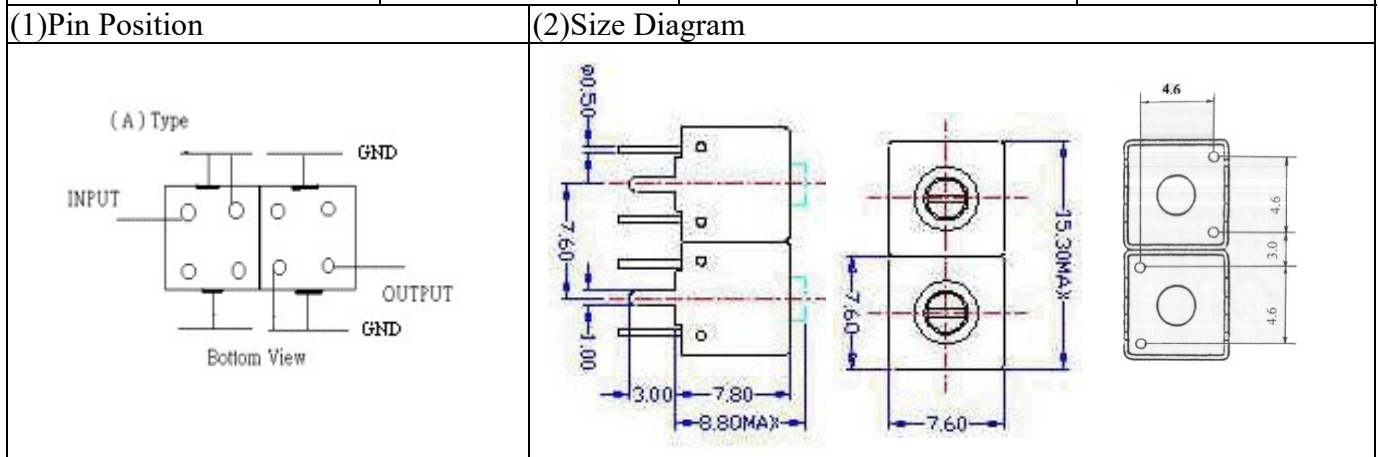


# VHF UHF Helical Filter Specification Sheet

Customer Name		Temwell's Part No.	TDS2400A-525M
Approval No. /dated	202105025CD	Temwell's Print name.	2400A 525M
Work Instruction No.	202105025CD	Date	Jun.17.2021



### (3) Electric Characteristic

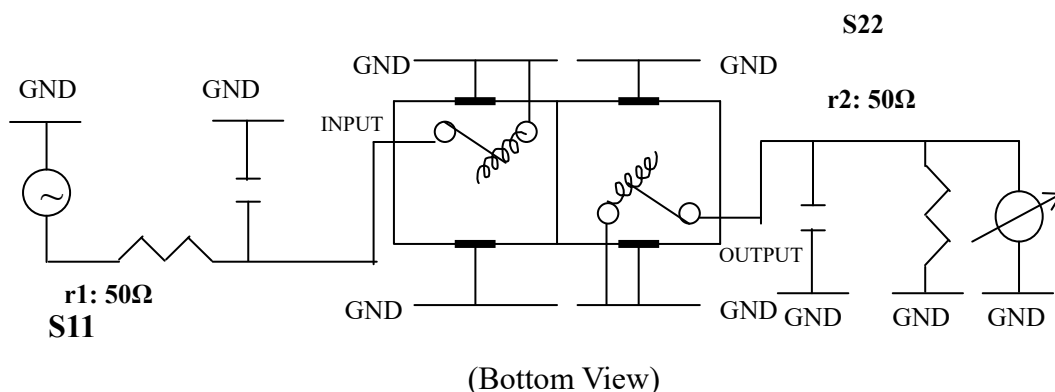
Item	Specify	Performance	
Center Freq.(Fo) +/- 0.5 %	525 MHz	525 MHz	
Insertion Loss	Typ. 4.5 dB	3.71 dB	
-3 dB Bandwidth	Typ. 10 MHz	13.1 MHz	
Sensitivity (Attenuation)	Fo - 50 MHz	Typ. 39 dBc	44 dBc
	Fo +50 MHz	Typ. 28 dBc	33 dBc
	Fo - ( )MHz	Typ. dBc	dBc
	Fo +( )MHz	Typ. dBc	dBc
Return Loss	Min. 12 dB	21.5 dB	
Ripple	< 1 dB	dB	
Impedance	In / Out : 50 Ω	In / Out : 50 Ω	
(4) Torque for Tuning Screw	> 60gf · cm		

### (5) Temperature Condition:

Operating Temperature	0°C ~ +60°C
Storage Temperature	-20°C ~ +70°C

### (6) Input Power

(7) Measuring Circuit: ※Easy to match Impedance 50Ω by parallel with about (- -)

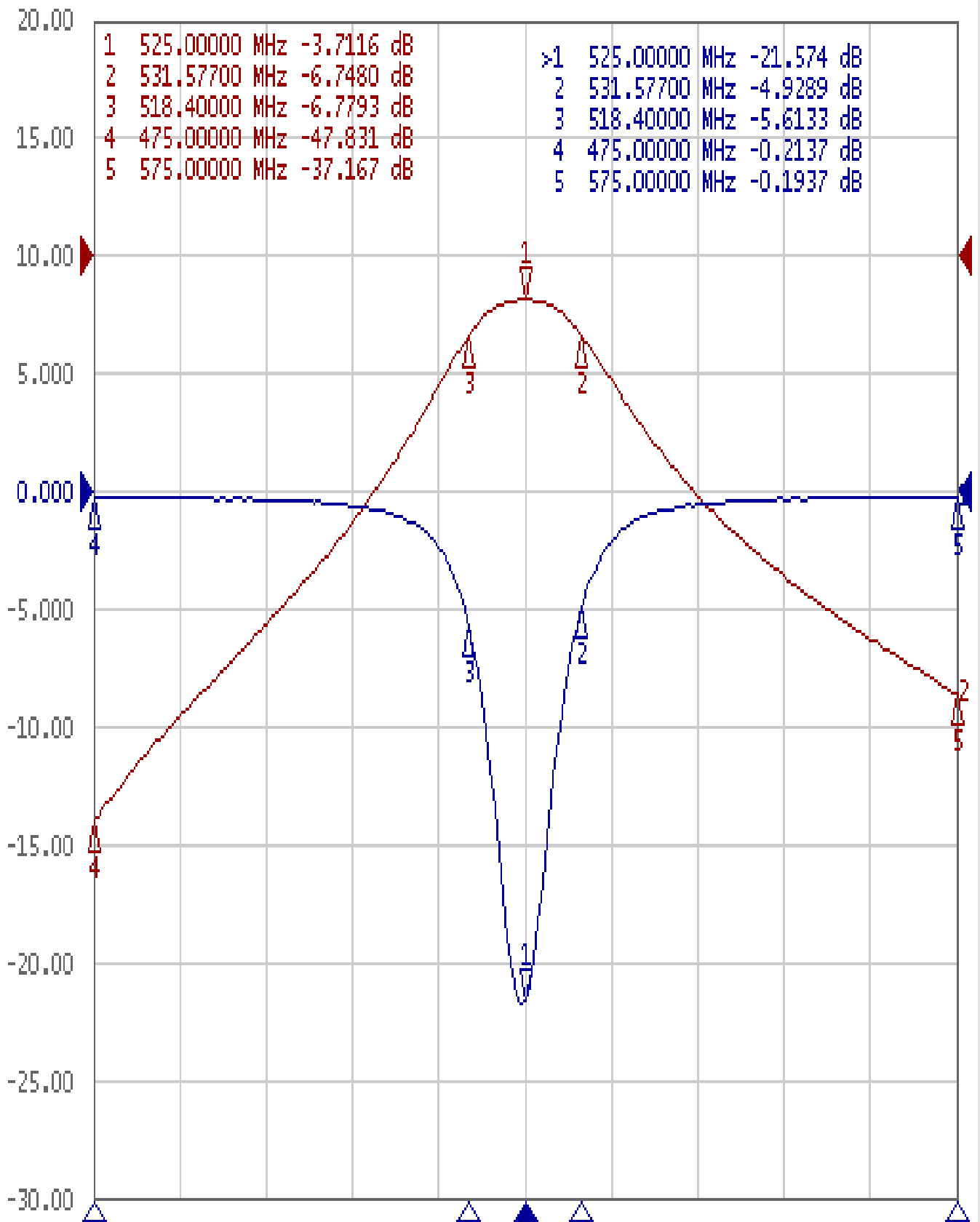


Approval	Supervisor	Designer	Aperture size
C.C.Chang	C.K.Chang	W.H.Wang	7S2S(4*4.3)(4.35) 7S024LB5

# Performance- TDS2400A-525M

## 202105025CD

Tr1 S11 Log Mag 5.000dB/ Ref 0.000dB [F2]  
Tr2 S21 Log Mag 10.00dB/ Ref 0.000dB [F2]



1 Center 525 MHz

IFBW 70 kHz

Span 100 MHz Cor !