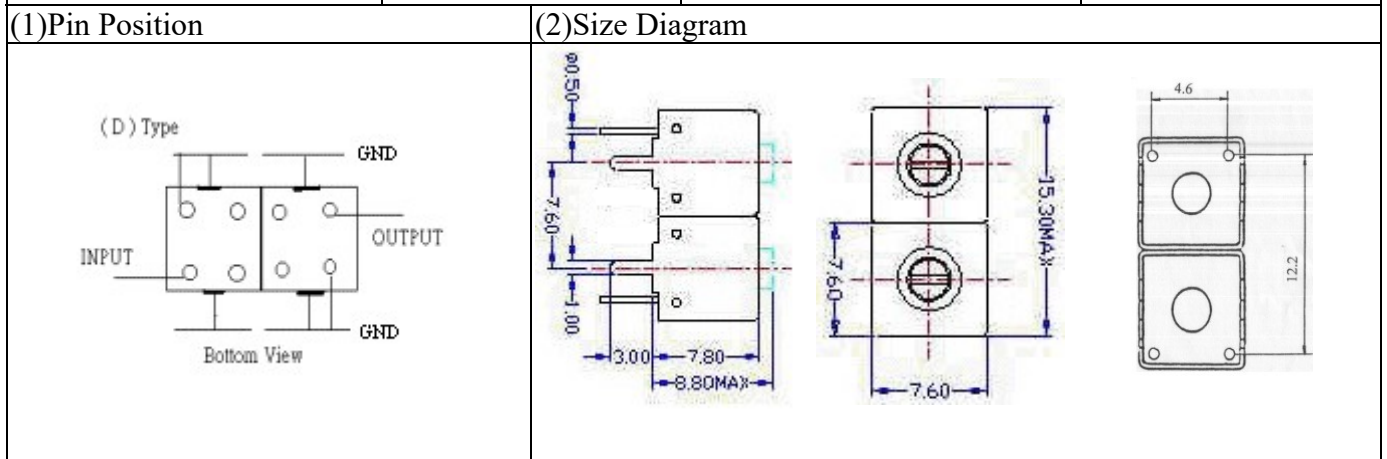


VHF UHF Helical Filter Specification Sheet

| | | | |
|----------------------|-------------|-----------------------|---------------|
| Customer Name | | Temwell's Part No. | TDS2385D-480M |
| Approval No. /dated | 202102026CD | Temwell's Print name. | 2385D 480M |
| Work Instruction No. | 202102026CD | Date | Jun.03.2021 |



(3) Electric Characteristic

| Item | Specify | Performance | |
|------------------------------|-----------------|-----------------|--------|
| Center Freq.(Fo) +/- 0.5 % | 480 MHz | 480 MHz | |
| Insertion Loss | Typ. 6.0 dB | 5.12 dB | |
| -3 dB Bandwidth | Typ. 6 MHz | 8.0 MHz | |
| Sensitivity (Attenuation) | Fo - 50 MHz | Typ. 37 dBc | 42 dBc |
| | Fo + 50 MHz | Typ. 31 dBc | 36 dBc |
| | Fo - ()MHz | Typ. dBc | dBc |
| | Fo +()MHz | Typ. dBc | dBc |
| Return Loss | Min. 12 dB | 31.9 dB | |
| Ripple | < 1 dB | dB | |
| Impedance | In / Out : 50 Ω | In / Out : 50 Ω | |

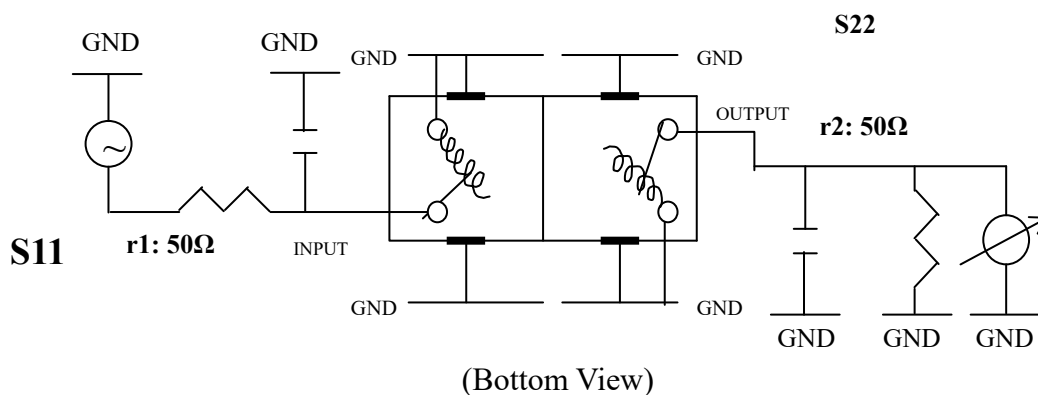
(4) Torque for Tuning Screw > 60gf · cm

(5) Temperature Condition:

| | |
|-----------------------|---------------|
| Operating Temperature | 0°C ~ +60°C |
| Storage Temperature | -20°C ~ +70°C |

(6) Input Power > 1Watt

(7) Measuring Circuit: ※Easy to match Impedance S11/S22 50Ω by parallel with about (- -)



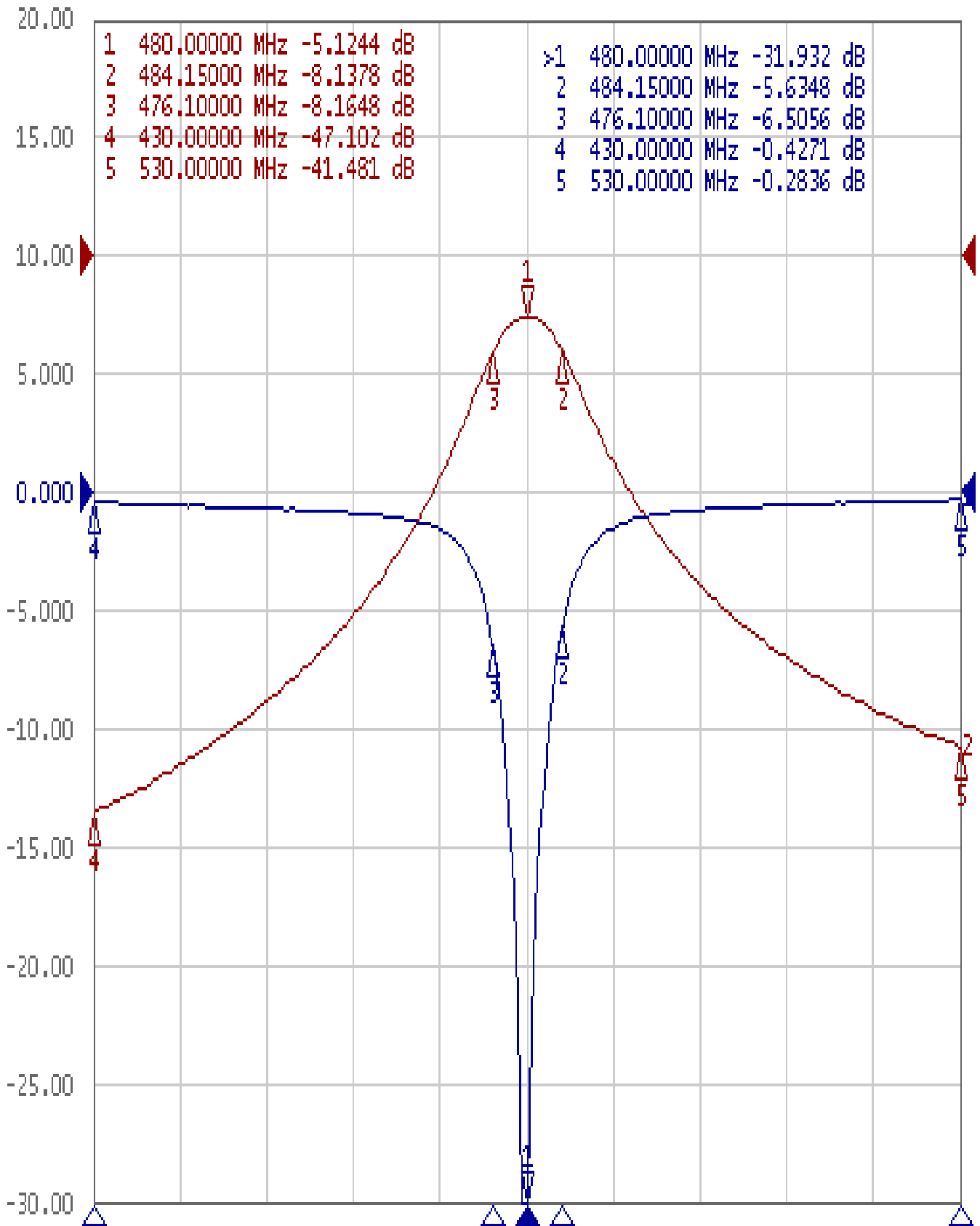
| | | | |
|-----------------------|-------------------------|----------------------|--|
| Approval C.C.Chang | Supervisor C.K.Chang | Designer W.H.Wang | Aperture size 7S2S(4*3.3)(3.38) 7S024LB5 |
|-----------------------|-------------------------|----------------------|--|

TEMWELL CORPORATION

Performance- TDS2385D-480M

202102026CD

▶ Tr1 S11 Log Mag 5.000dB/ Ref 0.000dB [F2]
Tr2 S21 Log Mag 10.00dB/ Ref 0.000dB [F2]



1 Center 480 MHz

IFBW 70 kHz

Span 100 MHz Cor !