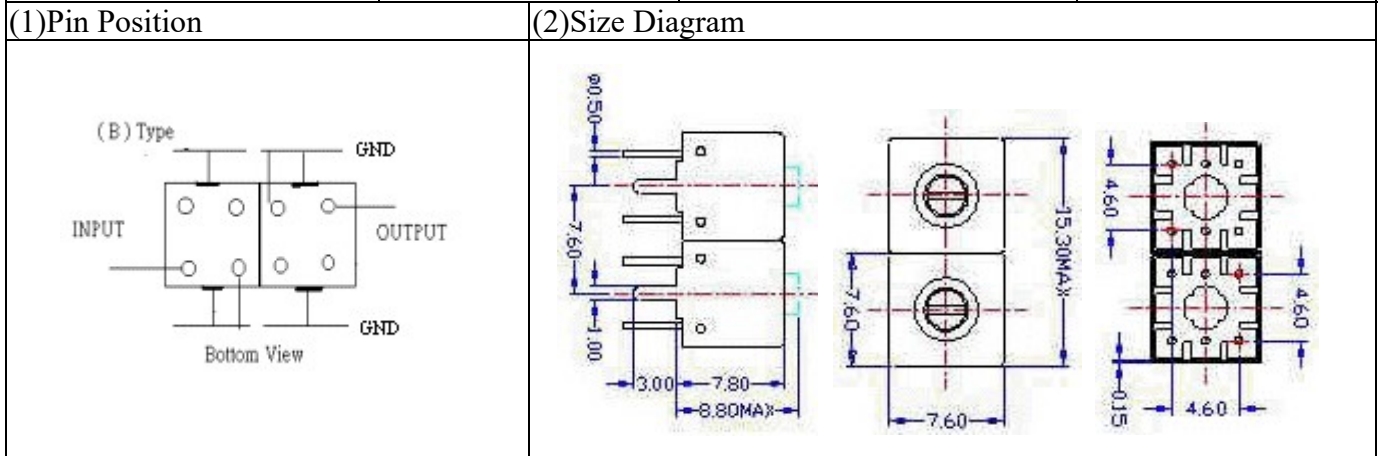


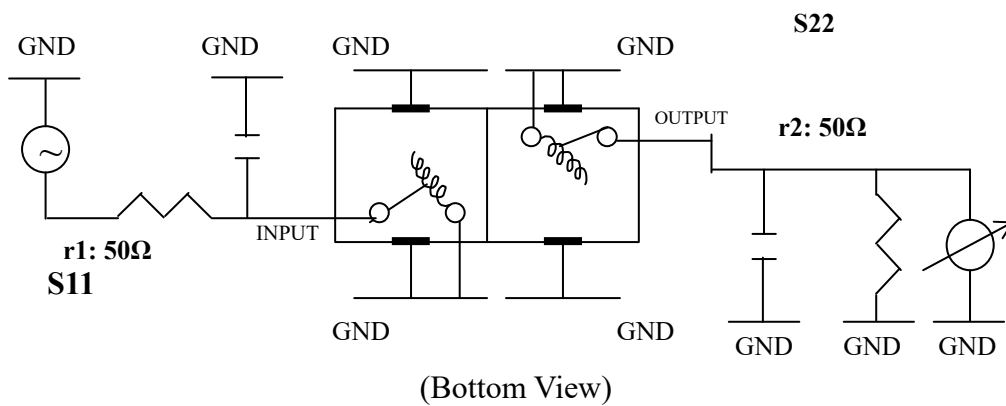
VHF UHF Helical Filter Specification Sheet

Customer Name		Temwell's Part No.	TDS2364B-293M
Approval No. /dated	202012047CD	Temwell's Print name.	2364B 293M
Work Instruction No.	202012047CD	Date	Jan.28.2021



(3) Electric Characteristic			
Item		Specify	Performance
Center Freq.(Fo) +/- 0.5 %		293 MHz	293 MHz
Insertion Loss		Typ. 2.0 dB	1.10 dB
-3 dB Bandwidth		Typ. 30 MHz	32.0; MHz
Sensitivity (Attenuation)	Fo - 100 MHz	Typ. 29 dBc	34 dBc
	Fo +100 MHz	Typ. 26 dBc	31 dBc
	Fo - ()MHz	Typ. dBc	dBc
	Fo +()MHz	Typ. dBc	dBc
Return Loss		Min. 12 dB	20.0 dB
Ripple		< 1 dB	dB
Impedance		In / Out : 50 Ω	In / Out : 50 Ω
(4) Torque for Tuning Screw		> 60gf · cm	
(5) Temperature Condition:			
Operating Temperature		0°C ~ +60°C	
Storage Temperature		-20°C ~ +70°C	
(6) Input Power		> 0.5Watt	

(7) Measuring Circuit: ※Easy to match Impedance S11/S22 50Ω by parallel with about (- -).



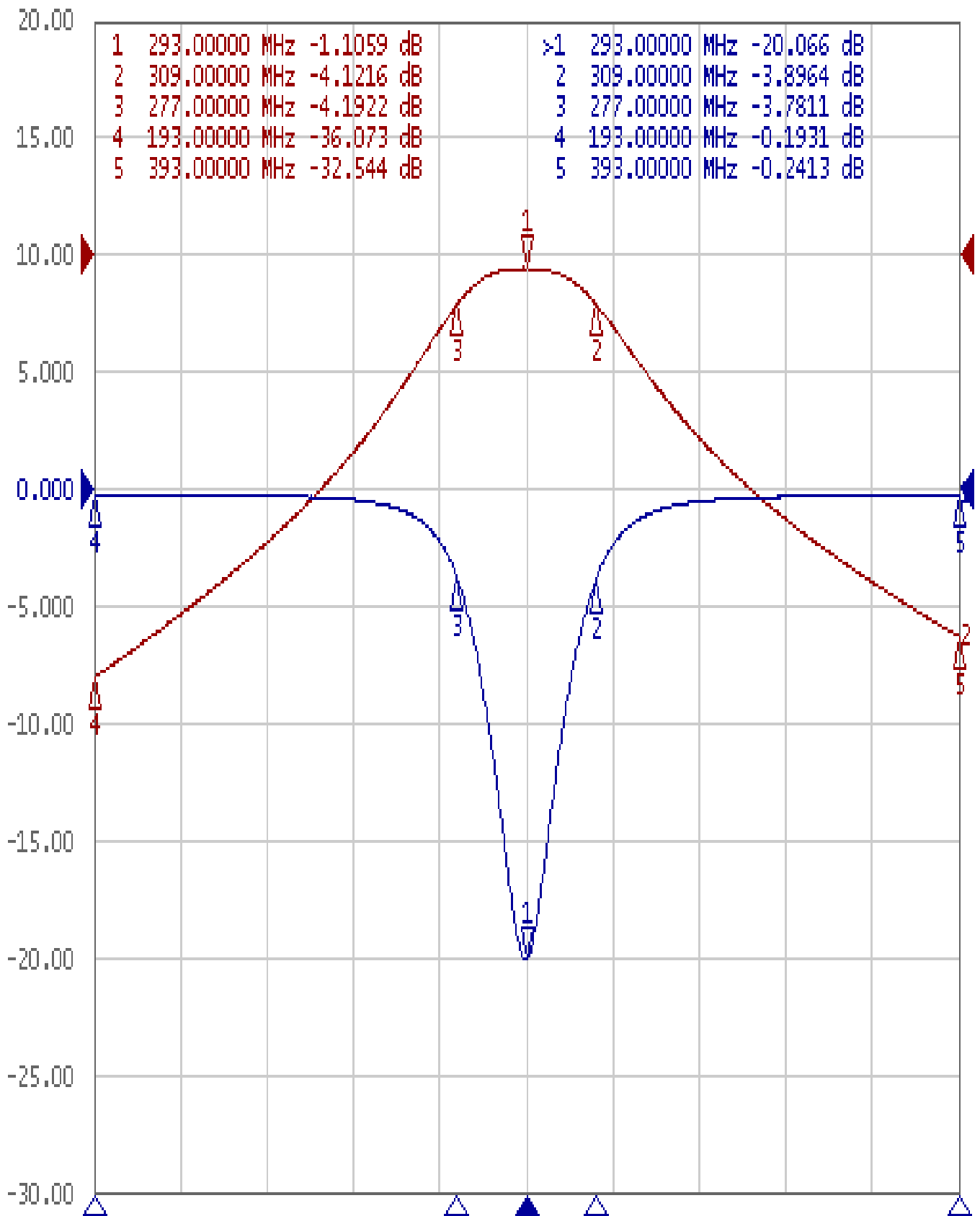
Approval	Supervisor	Designer	Aperture size
C.C.Chang	C.K.Chang	W.H.Wang	7S2S(4*5.1)(5.12) 7S024RB6 (J2)

TEMWELL CORPORATION

Performance- TDS2364B-293M

202012047CD

▶ Tr1 S11 Log Mag 5.000dB/ Ref 0.000dB [F2]
Tr2 S21 Log Mag 10.00dB/ Ref 0.000dB [F2]



1 Center 293 MHz

IFBW 10 kHz

Span 200 MHz Cor !