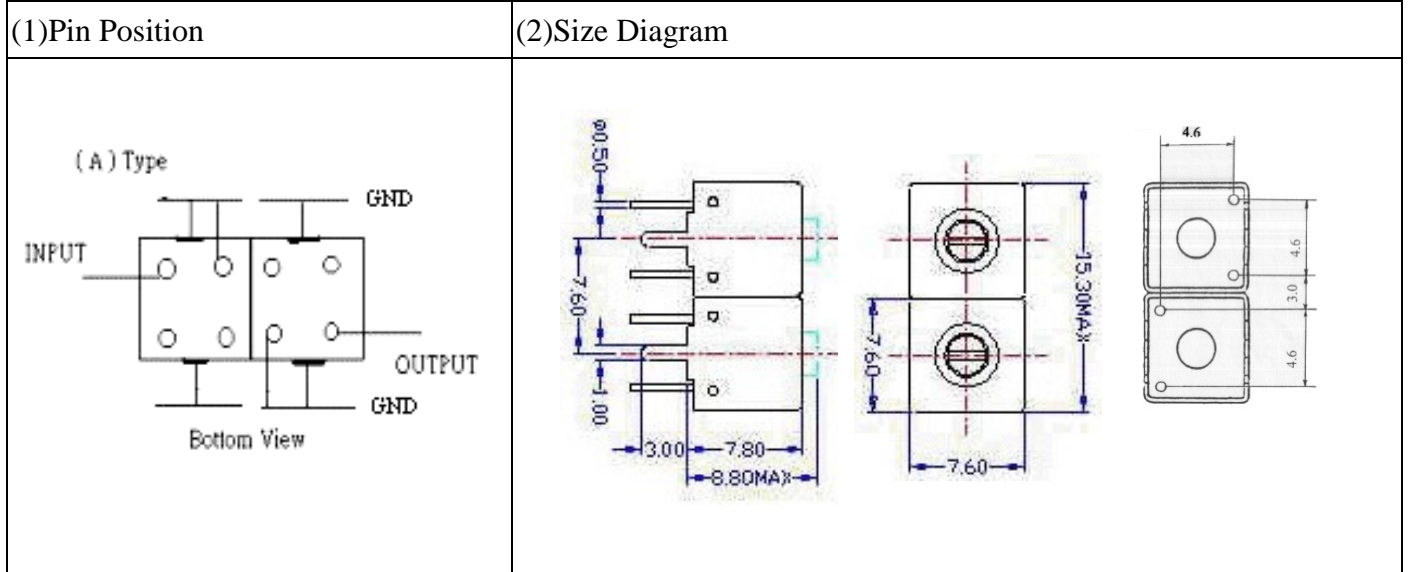


# VHF UHF Helical Filter Specification Sheet

Customer Name		Temwell's Part No.	TDS2282A-1300M
Approval No. /dated	20104027DC	Acceptable Specify Fo. Range	1251~1300MHz
Work Instruction No.	20104027DC	Date	2001.04.16



(3) Electric Character

Item	Specify	Performance
Center Freq.(Fo) +/- 0.5 %	1300 MHz	1300 MHz
Tunable Range	1300±5 MHz	1300±5 MHz
Insertion Loss	Typ. 3.0 dB	2.2 dB
-3 dB Bandwidth	Typ. 42 MHz	48 MHz
Sensitivity (Attenuation)	Fo - 100 MHz	Typ. 20 dBc
	Fo +100 MHz	Typ. 18 dBc
	Fo - ( )MHz	Typ. dBc
	Fo +( )MHz	Typ. dBc
Return Loss	Min. 12 dB	17 dB
Ripple	< 1 dB	dB
Impedance	In / Out : 50 Ω	In / Out : 50 Ω

(4) Torque for Tuning Screw > 100gf · cm

(5) Temperature Condition:

Operating Temperature	0°C ~ +60°C
Storage Temperature	-20°C ~ +70°C

(6) Input Power > 1Watt

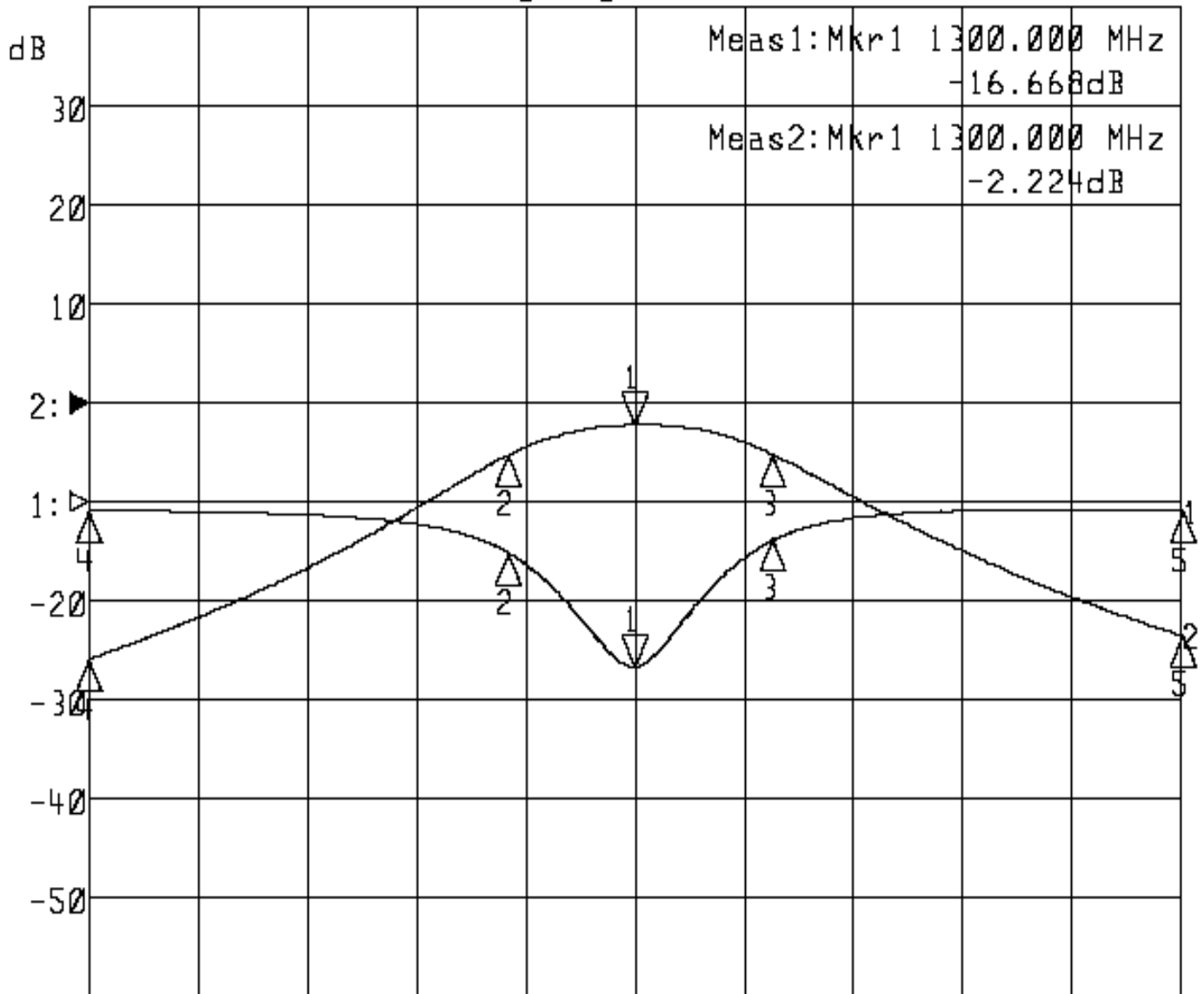
Approval	Supervisor	Designer	Aperture size
C.Y.Chang	C.S.Chang	C.S.Chang	7S2S(4*5.2) 7S046LB4

TEMWELL CORPORATION

# Performance-TDS2282A-1300M

## 20104027DC

▶1: S11 Refl Port1    Log Mag    10.0 dB/ Ref    0.00 dB    C  
 ▶2: S21 Fwd Trans    Log Mag    10.0 dB/ Ref    0.00 dB    C



Center 1 300.000 MHz

Span 200.000 MHz

1: Mkr (MHz)	dB	2: Mkr (MHz)	dB
1 > 1300.0000	-16.668	1 > 1300.0000	-2.224
2: 1277.0000	-5.195	2: 1277.0000	-5.201
3: 1325.3333	-3.865	3: 1325.3333	-5.256
4: 1200.0000	-0.878	4: 1200.0000	-25.901
5: 1400.0000	-0.916	5: 1400.0000	-23.489